

At a glance

LED trunking solution for industrial areas with high visual demands

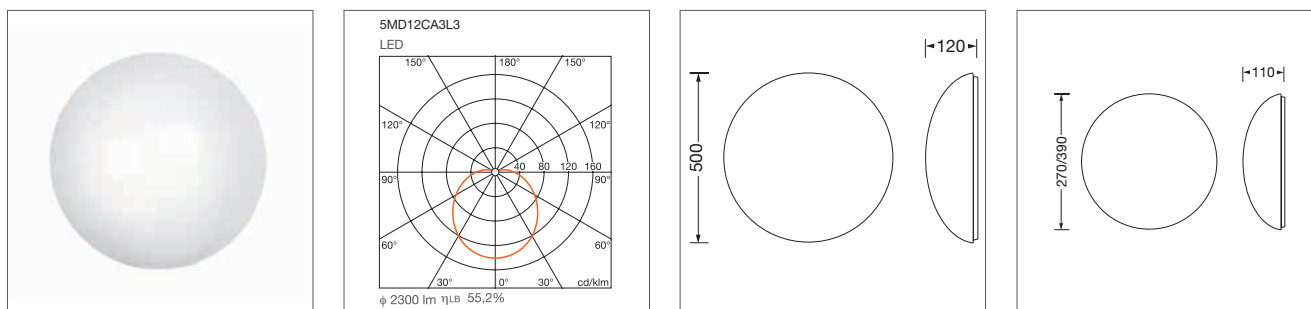
- Two lumen classes:
~6,500 lm / ~10,000 lm
- with multi-lumen on/off
ECG or DALI
- High glare control to
UGR <19 (depending on type)
- High visual comfort with
direct and indirect light

Light is economical Europlex[®] TC

Efficient surface-mounted LED luminaires for standard applications for use in public buildings, with IP44. **Light is OSRAM**

siteco

OSRAM



Europlex® TC

cover of PMMA Order No. OSRAM	Order No. Siteco	cover of PC Order No. OSRAM	Order No. Siteco	K	lm	W	d [mm]
4050737727875	5MD11CA1L3	4050737725291	5MD21CA1L3	3000	1100	13	270
4050737726441	5MD11CA1L4	4050737726250	5MD21CA1L4	4000	1100	13	270
4050737726236	5MD12CA3L3	4050737727899	5MD22CA3L3	3000	2000	27.8	390
4050737727882	5MD12CA3L4	4050737727905	5MD22CA3L4	4000	2000	25.3	390
4050737726243	5MD12CA6L3	4050737727912	5MD22CA6L3	3000	3000	42.7	390
4050737726458	5MD12CA6L4	4050737728131	5MD22CA6L4	4000	3000	38.4	390
4050737725284	5MD13CA6L3	4050737726465	5MD23CA6L3	3000	3000	42.7	500
4050737727370	5MD13CA6L4	4050737728001	5MD23CA6L4	4000	3000	38.4	500

– Energy efficiency class contained LED modules A++, A+, A. LED modules cannot be replaced

A modern LED alternative to conventional wall-mounted luminaires

With a luminous efficacy of up to 62 lumens/watt, the Europlex® TC is an efficient replacement for conventional version with a compact fluorescent lamp. With three different diameters, light colors (3000K, 4000K) and matched gross luminous fluxes (1100lm, 2000lm, 3000lm) as well as two different opal covers (PMMA and PC), the Europlex® TC provides precisely the right solution for typical applications in public buildings.

An all-rounder with inherent qualities

Europlex® TC is the efficient successor of the surface-mounted luminaire range with conventional lamp technology. This means using the same mounting points so there is less maintenance effort, because with a system service life of up to 50,000 h (L70/B50) and being highly robust (IP44), effort required for maintenance and servicing remains manageable. Or for new systems: Economic lighting with a timeless design and good quality light. Diffuse light distribution and uniform illumination create a pleasant room atmosphere.

Areas of application

- Stairways, corridors, traffic areas
- Relaxation rooms
- Entrance areas, cellars

OSRAM GmbH
 Marcel-Breuer-Strasse 6
 80807 Munich, Germany
 Tel. +49 89 6213-0
 Fax +49 89 6213-2020
 www.osram.com

Siteco Beleuchtungstechnik GmbH
 Georg-Simon-Ohm-Strasse 50
 83301 Traunreut, Germany
 Tel. +49 8669 33-0
 Fax +49 8669 33-397

Customer Services
 Tel. +49 8669 33-844
 Mail: lighting.solutions@osram.com

Picture on the frontside: Stefan Müller, Berlin

Our Brands

siteco **traxon** **e:cue**

OSRAM