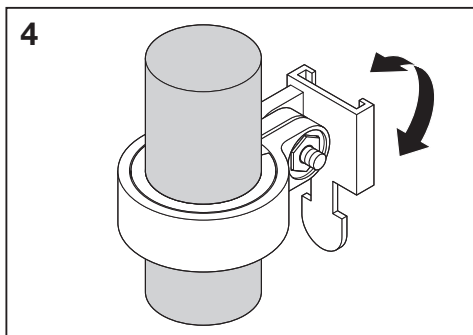
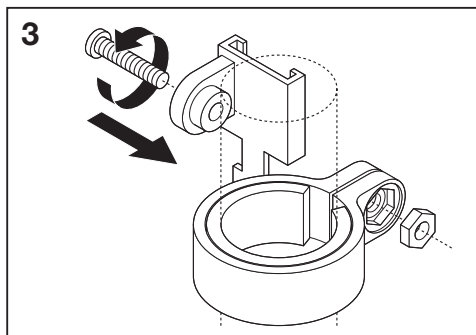
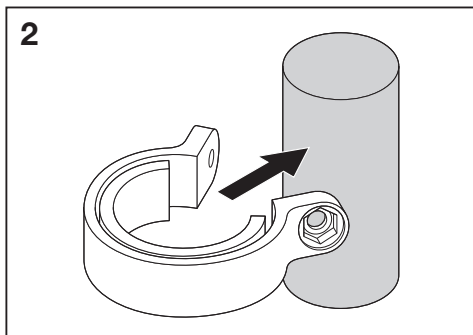
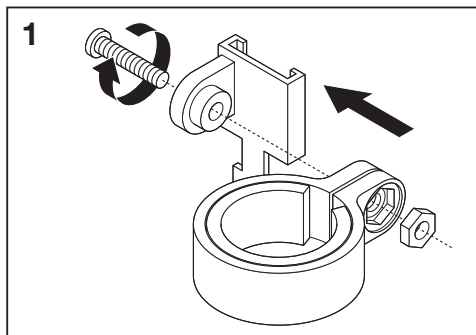
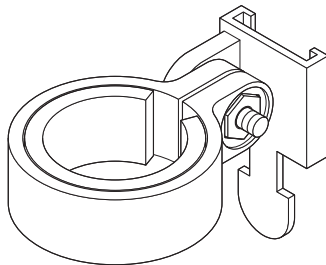
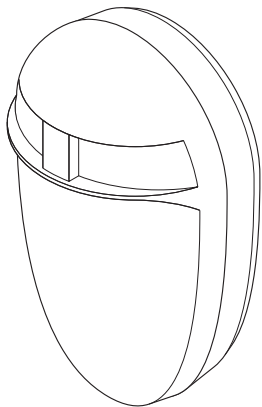
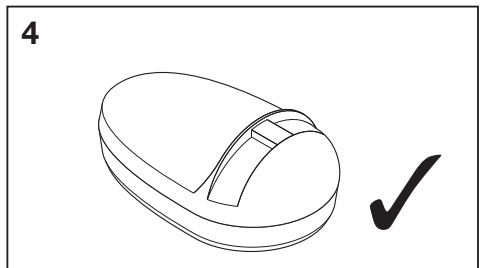
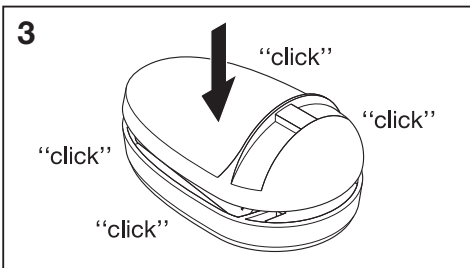
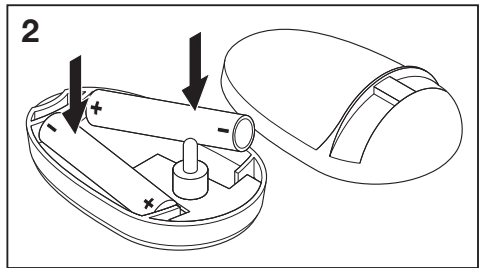
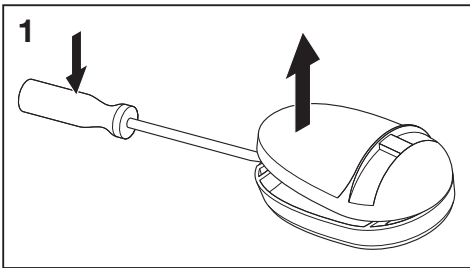
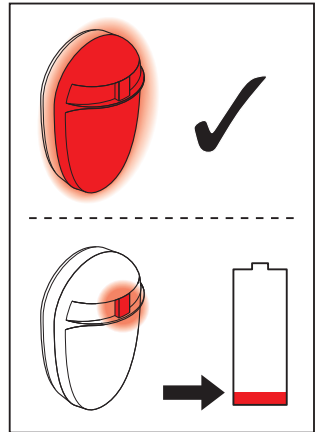
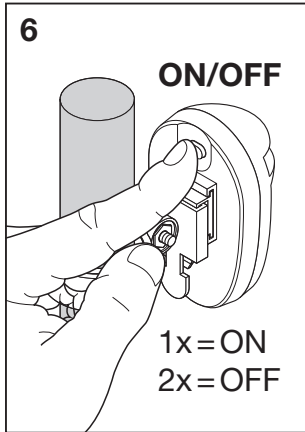
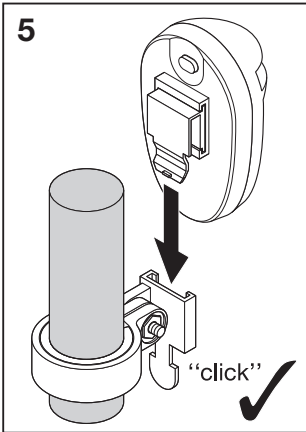


LEDsBIKE® RX2





www.osram.com/guarantee

OSRAM GmbH
Steinerne Furt 62
86167 Augsburg
Germany
www.osram.com



C10238698
G10539450
29.09.14

GUARANTEE (www.osram.com/guarantee)

NAME

ADDRESS

PRODUCT NAME, MODEL

DATE OF PURCHASE
