

OSRAM HMI®
50
YEARS



Light is eye-catching HMI® DIGITAL

Breathtaking images caught on film with light from HMI® DIGITAL lamps.



Light is OSRAM

OSRAM

Robust, flicker-free lamps deliver a steady performance on set or on stage.

Advanced filming technology requires advanced set lighting

Now more than ever before, technology allows for an immersive movie experience, with intense visual effects and crisp sound. And technology has not only changed the way we experience movies, but the way we film them. Most productions rely heavily on digital cameras, a medium which brings its own set of benefits and challenges—especially for lighting.

To meet the needs of new technology, OSRAM modernized its professional, high-performance HMI® single-end lamps that have been trusted on film sets, stages, and television studios for decades. The new line of HMI DIGITAL lamps provides the benefits professionals have come to expect from the HMI name, plus flicker-free lighting when operated in modes of 1000 Hz and higher.

Features

HMI DIGITAL lamps illuminate even the most complex, demanding productions in the ideal light. The high-performance, single-ended metal halide lamps offer extremely bright light of up to 100 lumens per watt, a color temperature that approximates daylight (6000K), and a high color rendering index of 90+. The lamps come equipped with OSRAM's patented UV-Stop, eliminating 99.9% of harmful UV emissions.

HMI DIGITAL lamps offer features that ensure ease of use for operators. For high-speed digital film applications, HMI DIGITAL supplies flicker-free light when used in modes of 1000 Hz and higher with high-speed electronic ballasts. Dimmable and stable with robust stems, the lamps also have hot restart capabilities. Special moly-foil design distributes heat evenly and extends the lamps' lifetime.

Applications

Whether using analog or digital film, and shooting in modes of 300 Hz, 1000 Hz, or higher, OSRAM's HMI DIGITAL line has a lamp for your production. While specially designed to accommodate evolving, high-speed film technology, HMI DIGITAL still provides every feature needed to light traditional film productions, as well as theater stages.

Expect high performance for the high demands on your:

- Film sets
- Television studios
- Theater stages

Benefits & features at a glance

- Flicker-free when used with high-speed electronic ballasts (up to 1000 Hz and higher)
- Suited for both analog and digital film production
- Up to 99.9% less UV emissions (from models equipped with UV-Stop)
- Color temperature of 6000K for realistic, naturally-lit scenes
- High color rendering index of 90+, exposing true-to-life colors
- Extremely bright light of up to 100 lumens/watt
- Dimmable
- Hot restart capability
- Improved stability and design
- Robust stems, resulting in less breakage during transport
- Round moly-foil construction that evenly distributes heat and current, thus extending lamp life
- Splash-proof carrying case is reusable and allows lamps to be transported safely

HMI DIGITAL product portfolio

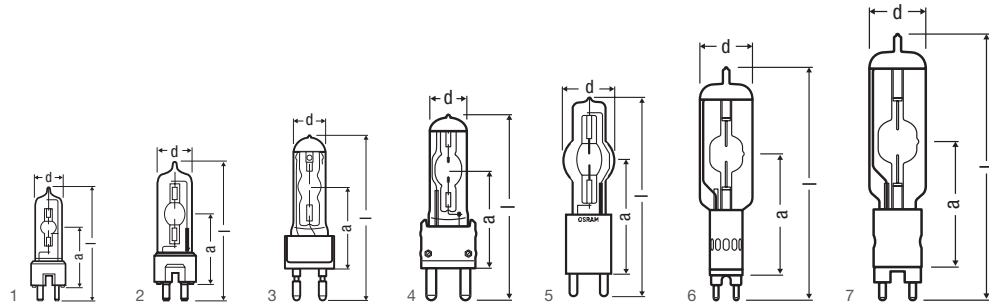
HMI DIGITAL features redesigned lamps from OSRAM's popular HMI UVS line, incorporating a doped UV-Stop (UVS) quartz outer jacket that reduces UV emissions up to 99.9%. The line includes single-ended metal halide lamps ranging from 200W to 18,000W.

Website


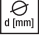


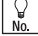
For more information on the HMI DIGITAL line, including technical specifications and related products, visit www.osram.us/HMI.



© FR ENTERTAINMENT / B. Bauriedl



HMI® DIGITAL lamp types

Lamp description	Product number	W	V	A		lm	t (h)	 d (mm)	 LCL a (mm)	 l (mm)	 No.
HMI DIGITAL											
HMI DIGITAL 200W	55072	200	69	2.9	GZY9.5	16,000	200	20	39	80	1
HMI DIGITAL 400W	55073	400	75	5.3	GZZ9.5	32,500	650	23	60	110	2
HMI DIGITAL 575W	55074	575	94	6.1	G22	49,000	1,000	30	70	145	3
HMI DIGITAL 800W	55076	800	95	8.4	G22	69,000	1,000	30	70	145	3
HMI DIGITAL 1200W	55077	1,200	100	12	G38	110,000	1,000	40	107	200	4
HMI DIGITAL 1800W	55078	1,800	140	12.9	G38	165,000	750	40	107	200	4
HMI DIGITAL 2500W	55182	2,500	115	25.6	G38	240,000	500	60	127	225	5
HMI DIGITAL 4000W	55081	4,000	200	24	G38	380,000	500	75	142	250	5
HMI DIGITAL 6000W	TBD	6,000	123	55	GX38	600,000	500	75	210	360	6
HMI DIGITAL 9000W	TBD	9,000	160	56	GX38	875,000	400	80	210	380	6
HMI DIGITAL 12000W	TBD	12,000	160	76	GX38	1150,000	500	100	255	455	6
HMI DIGITAL 18000W	TBD	18,000	225	88	GX51	1,600,000	350	100	260	495	7

OSRAM

Americas Headquarters
 OSRAM SYLVANIA Inc
 200 Ballardvale Street
 Wilmington, MA 01887 USA
 Phone 1-978-570-3000
 www.osram.us/HMI

Professional and Industrial Applications
 Specialty Lighting
 OSRAM SYLVANIA Inc
 129 Portsmouth Avenue
 Exeter, NH 03833
 United States: 888-677-2627
 Canada: 800-729-3777
 Mexico: 525-899-1807

OSRAM and HMI are registered trademarks of OSRAM GmbH.
 OSRAM does not accept liability for errors, changes and omissions.
 All other trademarks are those of their respective owners.
 Specifications subject to change without notice.

