

OSRAM HMI®  
50  
YEARS



Light is striking

Warm light for cool scenes with  
HMI® STUDIO lamps

On set or on stage, OSRAM's innovative HMI® STUDIO lamps deliver an effortless performance.



Light is OSRAM

**OSRAM**

# Mastering technical evolution

Outstanding performance and continuous development.

Over the last five decades we've developed new products that help your performances shine a little brighter, all while making your job of modeling light for sets, stages, and studios a little easier. The HMI® lamp family continues to be an integral part of film sets around the world. Thanks to their continuous improvement, HMI lamps have made film history again and again.

Now OSRAM proudly introduces the HMI STUDIO metal halide lamp series with a warm tungsten color temperature for your film sets, theater stages, and television studios. An evolution in metal halide lamps, the HMI STUDIO series will simplify your stage by delivering best-in-class light while eliminating the need for separate tungsten halogen fixtures and their lamps.

## Features

With a warm color temperature that closely matches that of tungsten light sources and a CRI of over 90, HMI STUDIO lamps deliver the sought-after effects of tungsten halogen lamps minus the need for additional fixtures.

HMI STUDIO lamps offer an intensely bright light that shines twice as bright as tungsten halogen lamps with similar wattages. Thanks to the patented doped UV-Stop quartz—developed and manufactured in our OSRAM glass factory in Germany—99.9% of harmful UVB and UVC emissions are eliminated. HMI STUDIO lamps last as long as traditional HMI lamps.

## Benefits

- A warm tungsten color temperature and high CRI of more than 90.
- A cost-effective alternative to managing and maintaining multiple tungsten halogen and metal halide lamps and fixtures.
- Time savings associated with setting up fewer varieties of lamps, fixtures, and CTO filters to light your set.
- Twice as bright as tungsten halogen lamps with similar wattages.
- Reduction of harmful UVB and UVC emissions by 99.9%, thanks to the special UV-Stop outer quartz.
- A plug-and-play solution for daylight fixtures.
- The same lifespan as our award-winning standard HMI lamps with 6000K color temperature.

## Applications

OSRAM's HMI STUDIO product line includes lamps in various wattages to suit every SSTV application. From movie studios and film sets to theater stages, HMI STUDIO lamps offer an advanced lighting solution for your performance.

## Website

For more information on the HMI STUDIO lamp series, including technical specifications and related products, visit [www.osram.us/HMI](http://www.osram.us/HMI).



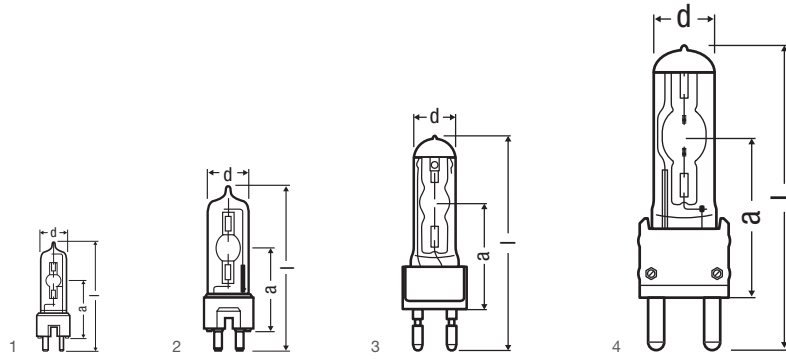
Light for dramatic scenes



Light for the modern stage



The next generation of HMI® lamps for film sets around the world



**HMI® STUDIO lamp types**

Lamp description	Product number	W	V	A		lm	t [h]				
HMI STUDIO											
HMI STUDIO 200W	55176	200	69	2.9	GZY9.5	10,800	200	20	39	80	1
HMI STUDIO 400W	55177	400	70	6.9	GZZ9.5	26,400	650	23	60	110	2
HMI STUDIO 575W	55178	575	99	5.8	G22	32,400	750	30	70	145	3
HMI STUDIO 800W	55179	800	97	8.3	G22	47,300	750	30	70	145	3
HMI STUDIO 1200W	55180	1,200	100	13.8	G38	77,000	1,000	42	107	200	4
HMI STUDIO 1800W	55181	1,800	140	13.0	G38	115,500	750	42	107	200	4

**OSRAM**

Americas Headquarters  
 OSRAM SYLVANIA Inc  
 200 Ballardvale Street  
 Wilmington, MA 01887 USA  
 Phone 1-978-570-3000  
 www.osram.us/HMI

Professional and Industrial Applications  
 Specialty Lighting  
 OSRAM SYLVANIA Inc  
 129 Portsmouth Avenue  
 Exeter, NH 03833  
 United States: 888-677-2627  
 Canada: 800-729-3777  
 Mexico: 525-899-1807

OSRAM and HMI are registered trademarks of OSRAM GmbH.  
 OSRAM does not accept liability for errors, changes and omissions.  
 All other trademarks are those of their respective owners.  
 Specifications subject to change without notice.