

Light is OSRAM

**OSRAM**

Our Brand

**LED ENGIN** 

## Product End-of-Life (EOL) Notification

---

**Affected Part Number(s):**

**EOL No.**

LZC-00UB00-00Ux where x = 4, 5, 6, 7, 8; LZC-70UB00-00Ux; LZC-C0UB00-00Ux; custom variants

30

---

**Part Description:**

**Date:**

LZC UB emitter for wavelengths U4-U8; LZC UB emitter on MCPCB; custom variants

10/4/2019

---

**Recommended Replacement Part Number(s):**

LZC-00UB0R-00Ux where x = 4, 5, 6, 7, 8; LZC-70UB0R-00Ux; LZC-C0UB0R-00Ux;

---

**Reason for EOL:**

Die supplier has a planned EOL and is upgrading to a newer generation of higher radiant flux dies with reversed electrical polarity.

---

**Last Order Date:**

**Last Shipment Date:**

10/30/2019

11/30/2019

---

**Disposition of Existing Inventory**

Use up current inventory. No returns to factory.

---

**NOTE:**

The replacement part is a new part number, with reversed electrical pinout and new datasheet.

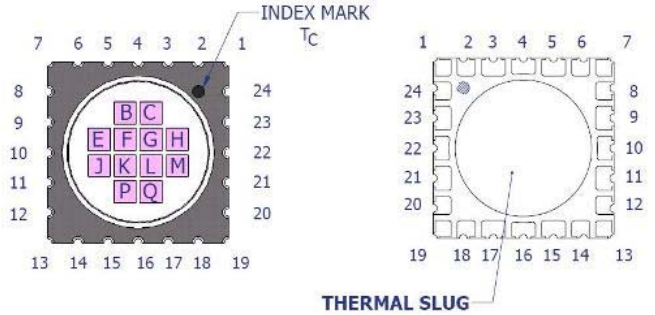
---

**CONTACT PERSON:**

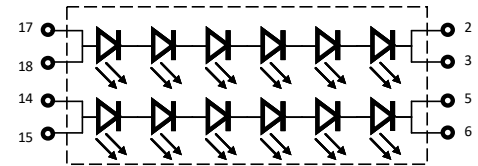
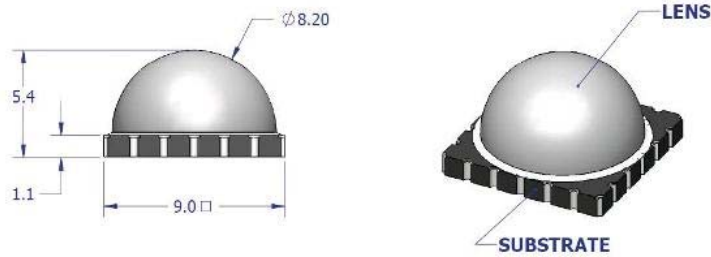
Ishita Goswami  
Product Manager  
651 River Oaks Parkway  
San Jose, CA 95134  
i.goswami@osram.com  
www.osram.us/ledengin

**EOL PRODUCT**

LZC-00UB00-00Ux, where x = 4, 5, 6, 7, 8

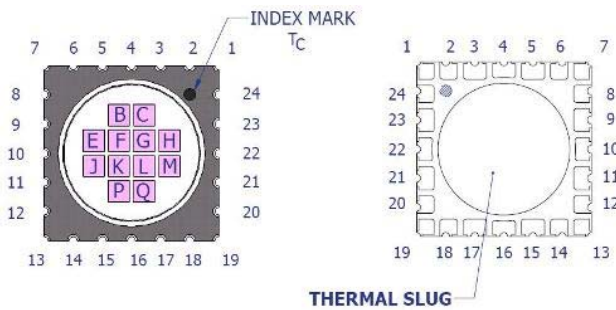


Pin Out		
Pad	Series	Function
2	1	Cathode
3	1	Cathode
5	2	Cathode
6	2	Cathode
14	2	Anode
15	2	Anode
17	1	Anode
18	1	Anode

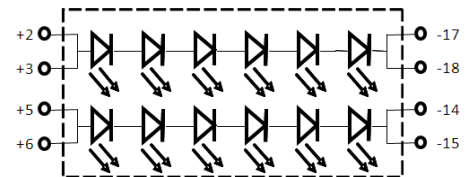
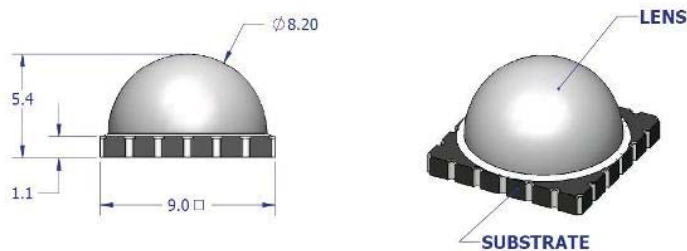


**REPLACEMENT PRODUCT**

LZC-00UB0R-00Ux, where x = 4, 5, 6, 7, 8



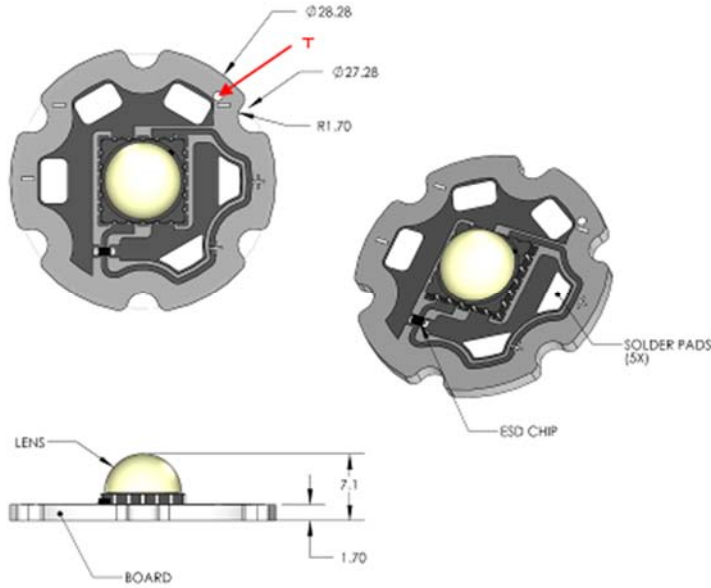
Pin Out		
Pad	Series	Function
2	1	Anode
3	1	Anode
5	2	Anode
6	2	Anode
14	2	Cathode
15	2	Cathode
17	1	Cathode
18	1	Cathode



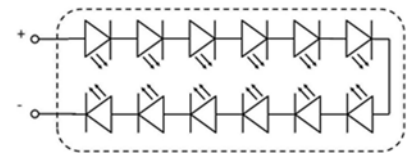
Please refer to product datasheets for additional details.

**EOL PRODUCT**

LZC-70UB00-00Ux, where x = 4, 5, 6, 7, 8

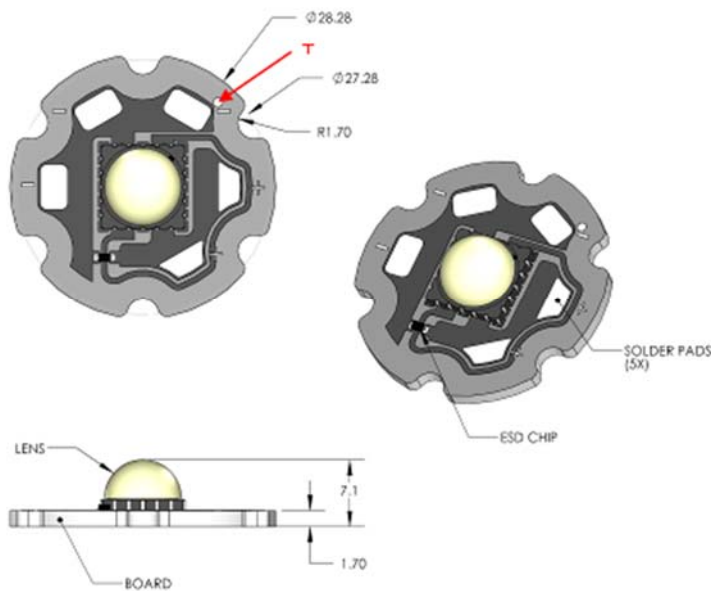


Pad Layout	
Pad	Function
+	Anode
-	Cathode

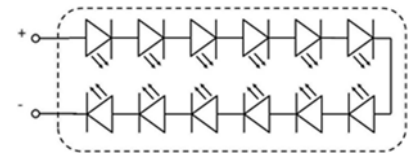


**REPLACEMENT PRODUCT**

LZC-70UB0R-00Ux, where x = 4, 5, 6, 7, 8

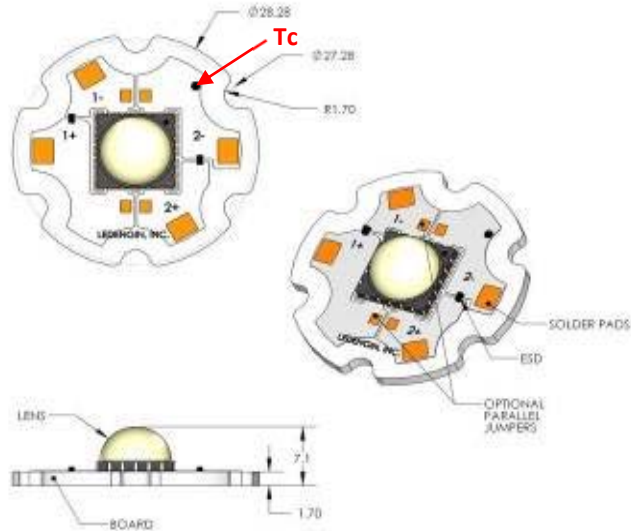


Ch.	Pad Layout		
	MCPCB Pad	String/die	Function
1	+	1/BCEFGHJKLMPQ	Anode +
	-		Cathode -

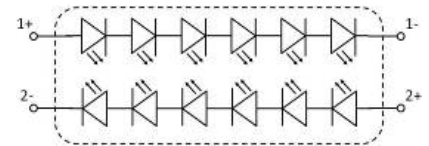


**EOL PRODUCT**

LZC-C0UB00-00Ux, where x = 4, 5, 6, 7, 8

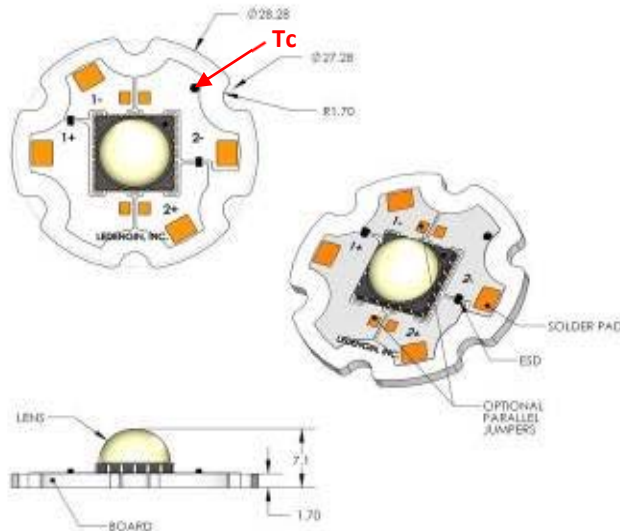


Pad Layout	
Pad	Function
1+	Anode Ch1
1-	Cathode Ch1
2+	Anode Ch2
2-	Cathode Ch2



**REPLACEMENT PRODUCT**

LZC-C0UB0R-00Ux, where x = 4, 5, 6, 7, 8



Pad Layout			
Ch.	MCPCB Pad	String/die	Function
1	1+	1/JKLMPQ	Anode +
	1-		Cathode -
2	2+	2/BCEFGH	Anode +
	2-		Cathode -

