

Project: _____
 Type: _____



ProPoint Sconce L White + Color

The ProPoint Sconce White + Color is an AC Line powered luminaire. The ProPoint Sconce offers a tight, controlled grazing solution to exterior applications where the light source will be visible. The sleek design works in both traditional and contemporary architectural environments. Available in three sizes, with both white and color options. The daisy chain topology, and direct-wire nature of the fixture via the two integral cable whips allow for simple installation into existing installations and new structures.



Product Specifications

Model	ProPoint Sconce L White / Color	
Light Source	9 LED	
Light Source	3000K / 4000K / Red / Green / Blue standard 2200K, 2700K, 3500K, 5000K, 6500K, Amber available ¹	
Beam Angle	10° x 5°	
Luminous Flux	318 lm - 879 lm	
Efficacy	14 lm/W - 39 lm/W	
Lumen Maintenance	L70 @25°C 81,000hrs	
Cover Lens	Tempered Glass	
Housing	Die Cast Aluminum	
Adjustment Options	90°	
Dimensions	236.8mm x 144.9mm x 109.8mm / 9.32" x 5.7" x 4.32"	
Weight	2.50 kg /5.52 lbs.	
EPA (sq.ft)	With standard bracket	Front: 0.3108 Side : 0.1566 Front 45° : 0.2778
	With wall mount bracket	Front: 0.3303 Side : 0.1967 Front 45° : 0.3020
Regulatory Listing & Safety Approval	cETLus, FCC, RoHS, REACH, ASTM B117-16, ANSI 3G, IK08	
Operating Temperature	-30°C to +55°C / -22°F to +131°F	
Minimum Starting Temperature	-20°C / -4°F	
Storage Temperature	-40°C to +80°C / -40°F to +176°F	
Environment	Outdoor (IP66), suitable for coastal environments	
Humidity	85%, non-condensing	

Electrical Specifications

Input Voltage	120-277Vac 50/60Hz
Power Consumption	24W Max.
Power Factor	≥ 0.9

System Specifications

Control	DMX512, RDM Enabled or On/Off
Power	AC Line
Power Supply	Integrated

1. No MOQ required. Please consult regional sales office for pricing and lead time.

LED CHARACTERISTICS Because LEDs are semiconductor devices, their performances are subject to inherent variability commonly found in semiconductor industry. To improve consistency in performance across the same product, LED manufacturers "sort" LEDs into bins according to different preset parameters, such as forward driving voltage, illumination, etc. Whereas binning is a sorting function, it is not a correction process. Inherent variability in the manufacturing process results always in different binning distributions according to different production lots. Traxon uses automatically binned LEDs on its products, thereby minimizing output variations within the model range.

As with all electronic devices, LED output degrades over time – a term called lumen depreciation. This also explains why it is nearly impossible to expect photometric performances of two LED products with different service life spans to be the same. The rate of LED degrade is a complicate function of many factors such as operating efficiency, duration of continuous operation, and more significantly, environmental conditions (ambient temperature for example). If allowed working under optimal operating temperature range and with good ventilation, LED devices enjoy long service lives over conventional light sources. When using/installing LED devices, care should be taken to ensure that the devices will operate within the operating conditions specified in respective product literature.

Lumen measurement complies with LM-79-08 standard.
 Lumen maintenance is calculated based on LM-80 compliant measurement.

www.traxontechnologies.com | www.osram.us/traxon

©2021 TRAXON TECHNOLOGIES - AN OSRAM BUSINESS. ALL RIGHTS RESERVED. TRAXON™, TX CONNECT®, ARE TRADEMARKS OF TRAXON TECHNOLOGIES. U.S. PATENTS, E.U. PATENTS, JAPAN PATENTS, OTHER PATENTS PENDING. SPECIFICATIONS ARE SUBJECT TO CHANGE WITHOUT NOTICE.

ProPoint Sconce L White + Color

Photometrics

Source Specifications

LED Source	9 LED
Beam Angle	10° x 5°
Cover Lens	Tempered Glass

Candela Distribution

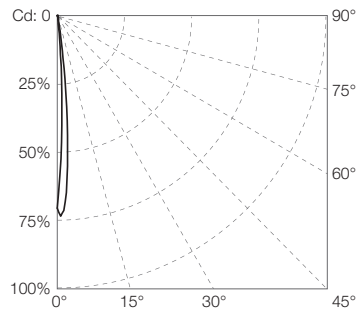


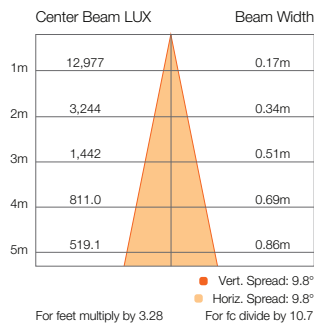
Diagram based on Sconce L 3000K 10° x 5°

Light Output

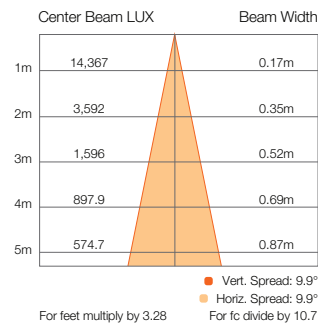
Color	Luminous Flux (lm)	Candela Distribution @100%	Efficacy (lm/W)
3000K	815.66	12,904.53	36.60
4000K	879.41	14,137.81	39.53
Red	483.3	7,570.80	27.53
Green	590.15	9,299.20	26.48
Blue	318.35	5,063.88	14.39

Illuminance at a Distance

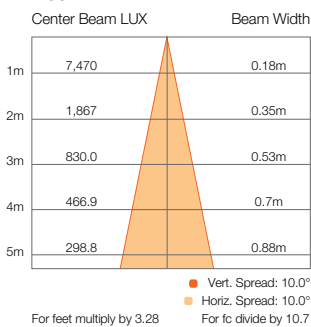
3000K



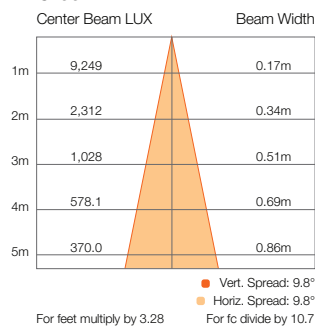
4000K



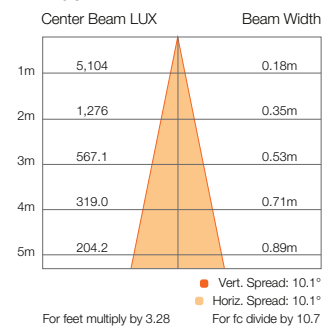
Red



Green

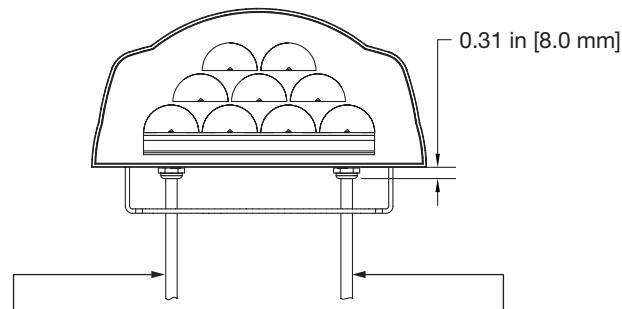
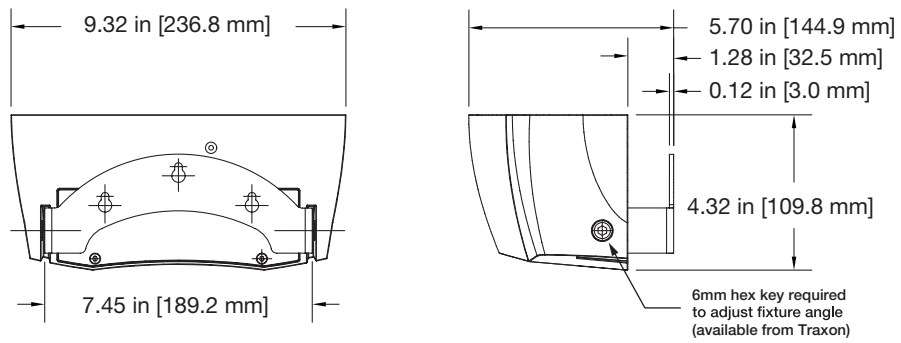


Blue



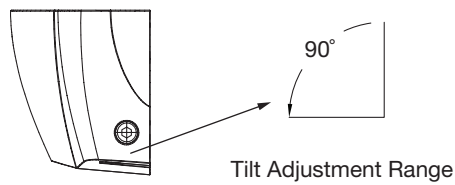
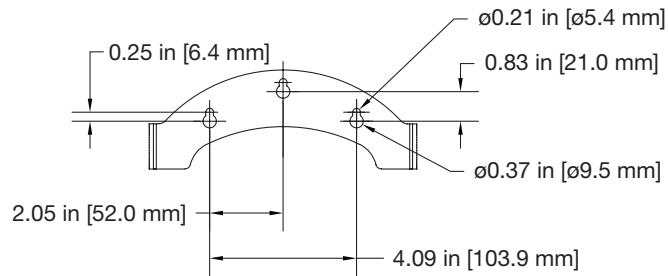
ProPoint Sconce L White + Color

Dimensions

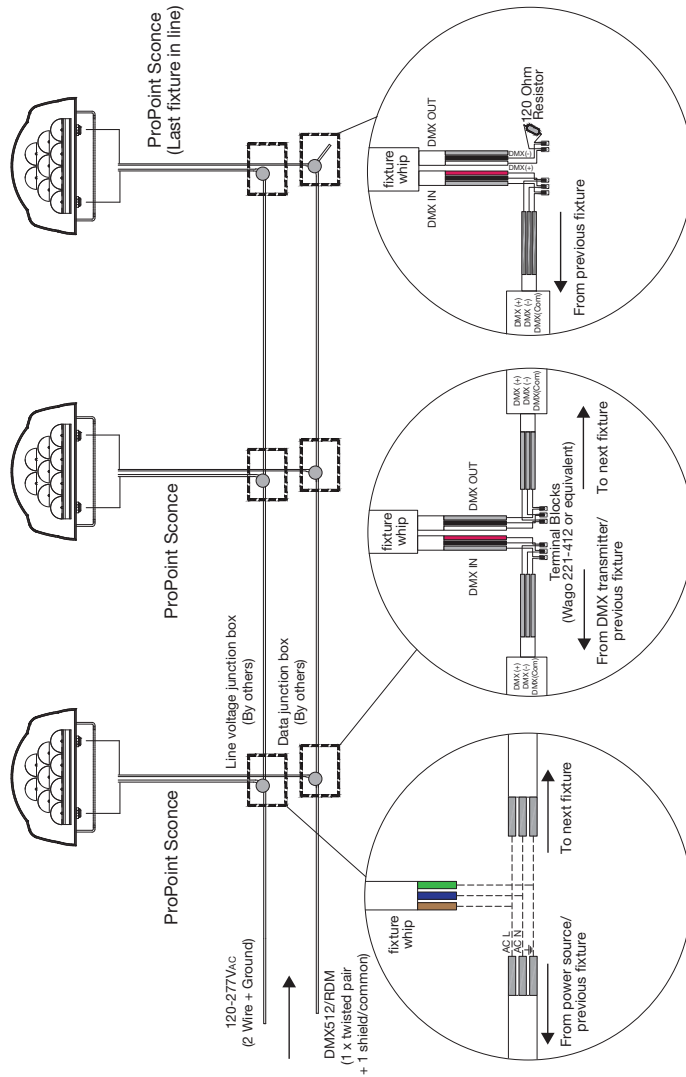


Power Cable Length 72.00 in [1828.0 mm]
Power Cable Diameter 0.315 in [8.25 mm]

Data Cable Length 72.00 in [1828.0 mm]
Data Cable Diameter 0.325 in [8.25 mm]



- ProPoint Sconce fixtures ship with two cable whips: One cable whip for power input, consisting of two wires plus a ground, and one cable whip for DMX512 RDM input/output.
- No more than (32) fixtures on a single DMX512 link, max 300m total (source to last fixture).
- Each DMX512 link must be properly terminated to prevent signal reflections.
- Data cabling from DMX source to first fixture and between subsequent ProPoint Sconce fixtures shall be Cat5e UTP or higher (stranded type only) or other cable type suitable for DMX communication. Consult DMX standard for additional guidance.



General Notes

- All data cabling must adhere to ANSI E1.11-2008 (F2013) – Entertainment Technology – USITT DMX512-A, Asynchronous Serial Digital Data Transmission Standard for Controlling Lighting Equipment and Accessories.
- Fixtures allow a universal input of 120Vac to 277Vac.
- Data termination shall utilize cage clamp terminal blocks, or equivalent. Wire nuts are not permissible and will void warranty.
- The method of line voltage termination, both for data and power, is at the discretion of the installing contractor, and/or engineer. Splicing and/or joining of cables must adhere to all applicable electrical codes.
- Cables must be spliced/joined in a weatherproof enclosure/junction box, which is to be properly rated and provided by others.

ProPoint Sconce L White + Color

Ordering

Model Number

PP	S3	X	X	X	4	1	X
ProPoint	Sconce L	Control	Color	CCT	Approbation	Optic	Finish
	S3: Sconce L	9: DMX	8: Blue	0: No CCT	4: cETLus	1: 10° x 5°	1: Gray
		7: On / Off	7: Green	3: 3000K			2: Black
			6: Red	4: 4000K			3: White
			1: White				

Fixtures

Model No.	Description	Item Code
PP.S3.913411	ProPoint Sconce L 3000K ETL	AM401890055
PP.S3.914411	ProPoint Sconce L 4000K ETL	AM401900055
PP.S3.960411	ProPoint Sconce L Red ETL	AM401880055
PP.S3.970411	ProPoint Sconce L Green ETL	AM401870055
PP.S3.980411	ProPoint Sconce L Blue ETL	AM401860055
PP.S3.913412	ProPoint Sconce L 3000K BL ETL	AM401940055
PP.S3.914412	ProPoint Sconce L 4000K BL ETL	AM401950055
PP.S3.960412	ProPoint Sconce L Red BL ETL	AM401930055
PP.S3.970412	ProPoint Sconce L Green BL ETL	AM401920055
PP.S3.980412	ProPoint Sconce L Blue BL ETL	AM401910055
PP.S3.913413	ProPoint Sconce L 3000K WT ETL	AM401990055
PP.S3.914413	ProPoint Sconce L 4000K WT ETL	AM402000055
PP.S3.960413	ProPoint Sconce L Red WT ETL	AM401980055
PP.S3.970413	ProPoint Sconce L Green WT ETL	AM401970055
PP.S3.980413	ProPoint Sconce L Blue WT ETL	AM401960055
PP.S3.713411	ProPoint Sconce L 3000K On/Off ETL	AM402340055
PP.S3.714411	ProPoint Sconce L 4000K On/Off ETL	AM402350055
PP.S3.760411	ProPoint Sconce L Red On/Off ETL	AM402330055
PP.S3.770411	ProPoint Sconce L Green On/Off ETL	AM402320055
PP.S3.780411	ProPoint Sconce L Blue On/Off ETL	AM402310055
PP.S3.713412	ProPoint Sconce L 3000K On/Off BL ETL	AM402390055
PP.S3.714412	ProPoint Sconce L 4000K On/Off BL ETL	AM402400055
PP.S3.760412	ProPoint Sconce L Red On/Off BL ETL	AM402380055
PP.S3.770412	ProPoint Sconce L Green On/Off BL ETL	AM402370055
PP.S3.780412	ProPoint Sconce L Blue On/Off BL ETL	AM402360055
PP.S3.713412	ProPoint Sconce L 3000K On/Off BL ETL	AM402390055
PP.S3.714412	ProPoint Sconce L 4000K On/Off BL ETL	AM402400055
PP.S3.760412	ProPoint Sconce L Red On/Off BL ETL	AM402380055
PP.S3.770412	ProPoint Sconce L Green On/Off BL ETL	AM402370055
PP.S3.780412	ProPoint Sconce L Blue On/Off BL ETL	AM402360055

www.traxontechnologies.com | www.osram.us/traxon

©2021 TRAXON TECHNOLOGIES - AN OSRAM BUSINESS. ALL RIGHTS RESERVED. TRAXON™, TX CONNECT®, ARE TRADEMARKS OF TRAXON TECHNOLOGIES. U.S. PATENTS, E.U. PATENTS, JAPAN PATENTS, OTHER PATENTS PENDING. SPECIFICATIONS ARE SUBJECT TO CHANGE WITHOUT NOTICE.

ProPoint Sconce L White + Color

Ordering

Accessories

Model No.	Description	Item Code
PP.SC.120001	ProPoint Sconce Mount Over JBox Bracket S	AM401790055
PP.SC.220001	ProPoint Sconce Mount Over JBox Bracket M	AM401780055
PP.SC.320001	ProPoint Sconce Mount Over JBox Bracket L	AM401770055
PP.SC.120002	ProPoint Sconce Mount Over JBox Bracket S BL	AM401820055
PP.SC.220002	ProPoint Sconce Mount Over JBox Bracket M BL	AM401810055
PP.SC.320002	ProPoint Sconce Mount Over JBox Bracket L BL	AM401800055
PP.SC.120003	ProPoint Sconce Mount Over JBox Bracket S WT	AM401850055
PP.SC.220003	ProPoint Sconce Mount Over JBox Bracket M WT	AM401840055
PP.SC.320003	ProPoint Sconce Mount Over JBox Bracket L WT	AM401830055

Our Brands

traxon e:cue

OSRAM

©2021 TRAXON TECHNOLOGIES - AN OSRAM BUSINESS. ALL RIGHTS RESERVED. TRAXON™, TX CONNECT®, ARE TRADEMARKS OF TRAXON TECHNOLOGIES. U.S. PATENTS, E.U. PATENTS, JAPAN PATENTS, OTHER PATENTS PENDING. SPECIFICATIONS ARE SUBJECT TO CHANGE WITHOUT NOTICE.