

Project: \_\_\_\_\_  
 Type: \_\_\_\_\_



## ProPoint Sconce M White + Color

The ProPoint Sconce White + Color is an AC Line powered luminaire. The ProPoint Sconce offers a tight, controlled grazing solution to exterior applications where the light source will be visible. The sleek design works in both traditional and contemporary architectural environments. Available in three sizes, with both white and color options. The daisy chain topology, and direct-wire nature of the fixture via the two integral cable whips allow for simple installation into existing installations and new structures.



### Product Specifications

<b>Model</b>	ProPoint Sconce M White / Color	
<b>Light Source</b>	5 LED	
<b>Light Source</b>	3000K / 4000K / Red / Green / Blue standard 2200K, 2700K, 3500K, 5000K, 6500K, Amber available <sup>1</sup>	
<b>Beam Angle</b>	10° x 5°	
<b>Luminous Flux</b>	175 lm - 520 lm	
<b>Efficacy</b>	13 lm/W - 39 lm/W	
<b>Lumen Maintenance</b>	L70 @25°C 81,000hrs	
<b>Cover Lens</b>	Tempered Glass	
<b>Housing</b>	Die Cast Aluminum	
<b>Adjustment Options</b>	90°	
<b>Dimensions</b>	190.4mm x 122.5mm x 104.9mm / 7.5" x 4.82" x 4.13"	
<b>Weight</b>	1.71 kg / 3.77 lbs.	
<b>EPA (sq.ft)</b>	<b>With standard bracket</b>	Front: 0.3108 Side : 0.1566 Front 45° : 0.2778
	<b>With wall mount bracket</b>	Front: 0.3303 Side : 0.1967 Front 45° : 0.3020
<b>Regulatory Listing &amp; Safety Approval</b>	cETLus, FCC, RoHS, REACH, ASTM B117-16, ANSI 3G, IK08	
<b>Operating Temperature</b>	-30°C to +55°C / -22°F to +131°F	
<b>Minimum Starting Temperature</b>	-20°C / -4°F	
<b>Storage Temperature</b>	-40°C to +80°C / -40°F to +176°F	
<b>Environment</b>	Outdoor (IP66), suitable for coastal environments	
<b>Humidity</b>	85%, non-condensing	

### Electrical Specifications

<b>Input Voltage</b>	120-277Vac 50/60Hz
<b>Power Consumption</b>	15W Max.
<b>Power Factor</b>	≥ 0.9

### System Specifications

<b>Control</b>	DMX512, RDM Enabled or On/Off
<b>Power</b>	AC Line
<b>Power Supply</b>	Integrated

1. No MOQ required. Please consult regional sales office for pricing and lead time.

**LED CHARACTERISTICS** Because LEDs are semiconductor devices, their performances are subject to inherent variability commonly found in semiconductor industry. To improve consistency in performance across the same product, LED manufacturers "sort" LEDs into bins according to different preset parameters, such as forward driving voltage, illumination, etc. Whereas binning is a sorting function, it is not a correction process. Inherent variability in the manufacturing process results always in different binning distributions according to different production lots. Traxon uses automatically binned LEDs on its products, thereby minimizing output variations within the model range.

As with all electronic devices, LED output degrades over time – a term called lumen depreciation. This also explains why it is nearly impossible to expect photometric performances of two LED products with different service life spans to be the same. The rate of LED degrade is a complicate function of many factors such as operating efficiency, duration of continuous operation, and more significantly, environmental conditions (ambient temperature for example). If allowed working under optimal operating temperature range and with good ventilation, LED devices enjoy long service lives over conventional light sources. When using/installing LED devices, care should be taken to ensure that the devices will operate within the operating conditions specified in respective product literature.

Lumen measurement complies with LM-79-08 standard.  
 Lumen maintenance is calculated based on LM-80 compliant measurement.

[www.traxontechnologies.com](http://www.traxontechnologies.com) | [www.osram.us/traxon](http://www.osram.us/traxon)

©2021 TRAXON TECHNOLOGIES - AN OSRAM BUSINESS. ALL RIGHTS RESERVED. TRAXON™, TX CONNECT®, ARE TRADEMARKS OF TRAXON TECHNOLOGIES. U.S. PATENTS, E.U. PATENTS, JAPAN PATENTS, OTHER PATENTS PENDING. SPECIFICATIONS ARE SUBJECT TO CHANGE WITHOUT NOTICE.

# ProPoint Sconce M White + Color

# Photometrics

## Source Specifications

LED Source	5 LED
Beam Angle	10° x 5°
Cover Lens	Tempered Glass

## Candela Distribution

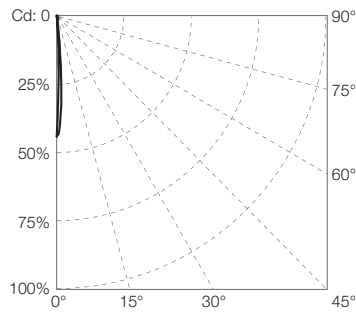


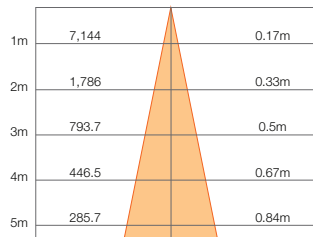
Diagram based on Sconce M 3000K 10° x 5°

## Light Output

Color	Luminous Flux (lm)	Candela Distribution @100%	Efficacy (lm/W)
3000K	463.12	7,297.60	35.22
4000K	520.1	7,515.76	39.49
Red	271.9	4,178.60	25.18
Green	343.35	5,617.00	25.45
Blue	175.25	2,826.48	13.35

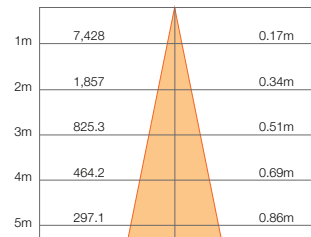
## Illuminance at a Distance

**3000K**  
Center Beam LUX      Beam Width



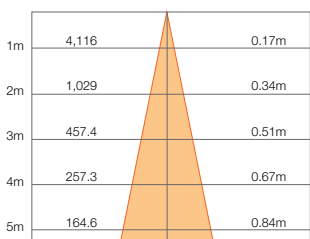
Vert. Spread: 9.6°  
Horiz. Spread: 9.6°  
For feet multiply by 3.28      For fc divide by 10.7

**4000K**  
Center Beam LUX      Beam Width



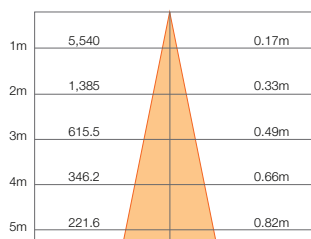
Vert. Spread: 9.8°  
Horiz. Spread: 9.8°  
For feet multiply by 3.28      For fc divide by 10.7

**Red**  
Center Beam LUX      Beam Width



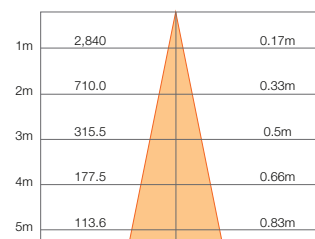
Vert. Spread: 9.6°  
Horiz. Spread: 9.6°  
For feet multiply by 3.28      For fc divide by 10.7

**Green**  
Center Beam LUX      Beam Width



Vert. Spread: 9.4°  
Horiz. Spread: 9.4°  
For feet multiply by 3.28      For fc divide by 10.7

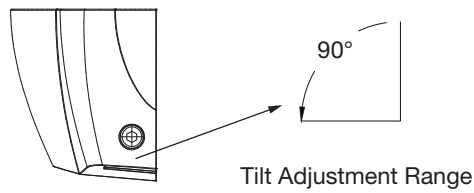
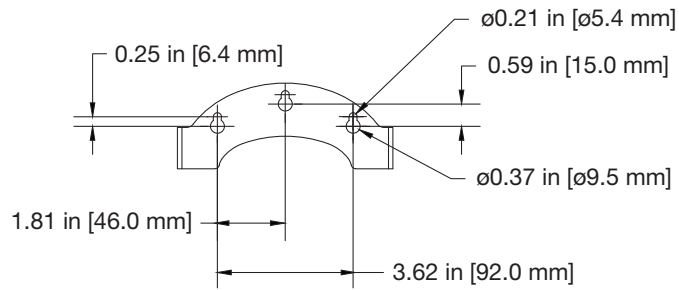
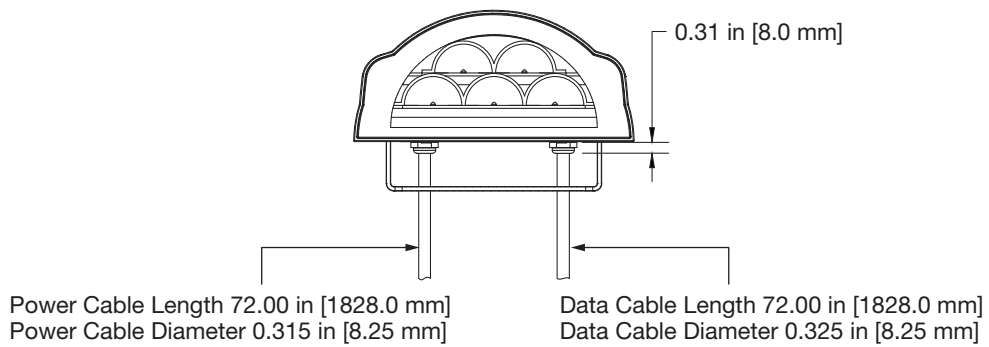
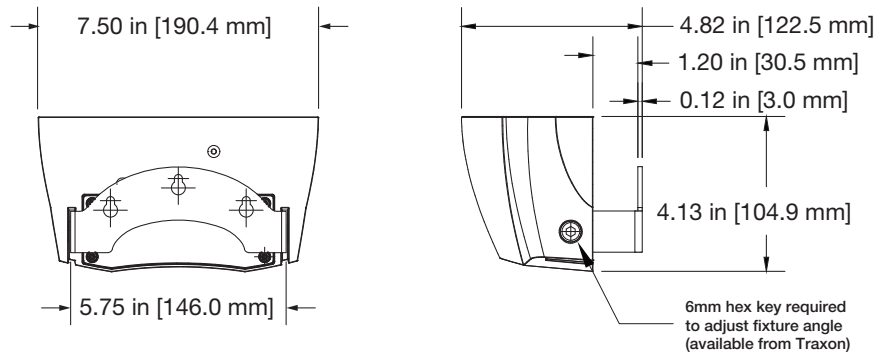
**Blue**  
Center Beam LUX      Beam Width



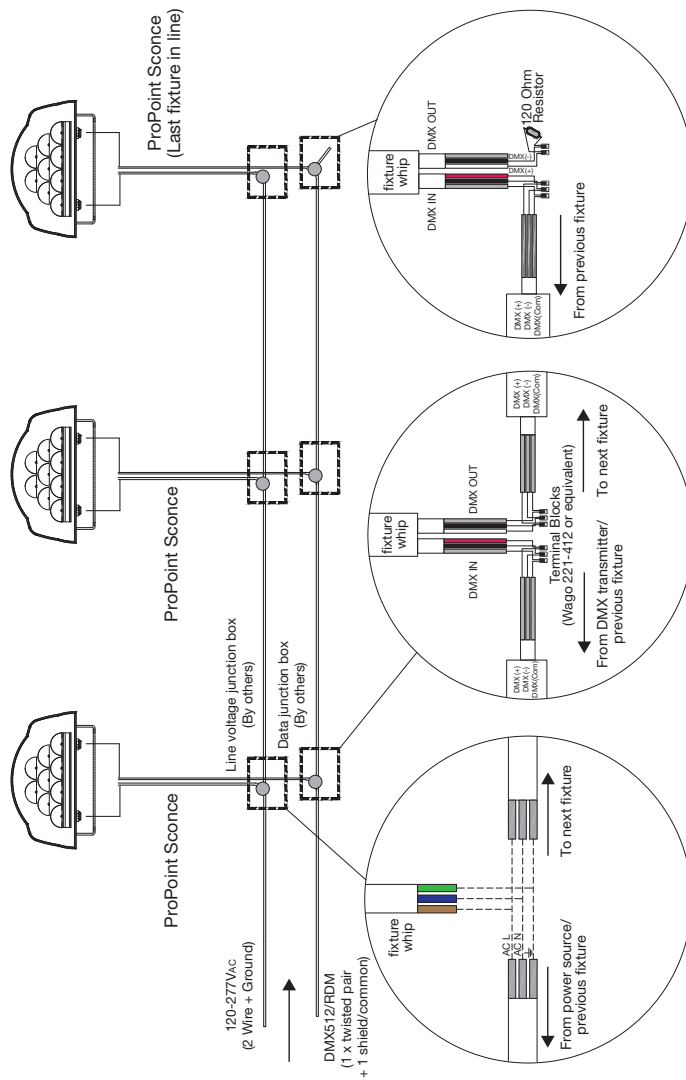
Vert. Spread: 9.4°  
Horiz. Spread: 9.4°  
For feet multiply by 3.28      For fc divide by 10.7

# ProPoint Sconce M White + Color

## Dimensions



- ProPoint Sconce fixtures ship with two cable whips: One cable whip for power input, consisting of two wires plus a ground, and one cable whip for DMX512 RDM input/output.
- No more than (32) fixtures on a single DMX512 link, max 300m total (source to last fixture).
- Each DMX512 link must be properly terminated to prevent signal reflections.
- Data cabling from DMX source to first fixture and between subsequent ProPoint Sconce fixtures shall be Cat5e UTP or higher (stranded type only) or other cable type suitable for DMX communication. Consult DMX standard for additional guidance.



**General Notes**

- All data cabling must adhere to ANSI E1.11-2008 (F2013) – Entertainment Technology – USITT DMX512-A, Asynchronous Serial Digital Data Transmission Standard for Controlling Lighting Equipment and Accessories.
- Fixture is RDM compatible.
- Fixtures allow a universal input of 120Vac to 277Vac.
- Data termination shall utilize cage clamp terminal blocks, or equivalent. Wire nuts are not permissible and will void warranty.
- The method of line voltage termination, both for data and power, is at the discretion of the installing contractor, and/or engineer. Splicing and/or joining of cables must adhere to all applicable electrical codes.
- Cables must be spliced/joined in a weatherproof enclosure/junction box, which is to be properly rated and provided by others.

# ProPoint Sconce M White + Color

Ordering

## Model Number

PP	S2	X	X	X	4	1	X
ProPoint	Sconce M	Control	Color	CCT	Approbation	Optic	Finish
	S2: Sconce M	9: DMX	8: Blue	0: No CCT	4: cETLus	1: 10° x 5°	1: Gray
		7: On / Off	7: Green	3: 3000K			2: Black
			6: Red	4: 4000K			3: White
			1: White				

## Fixtures

Model No.	Description	Item Code
PP.S2.913411	ProPoint Sconce M 3000K ETL	AM402040055
PP.S2.914411	ProPoint Sconce M 4000K ETL	AM402050055
PP.S2.960411	ProPoint Sconce M Red ETL	AM402030055
PP.S2.970411	ProPoint Sconce M Green ETL	AM402020055
PP.S2.980411	ProPoint Sconce M Blue ETL	AM402010055
PP.S2.913412	ProPoint Sconce M 3000K BL ETL	AM402090055
PP.S2.914412	ProPoint Sconce M 4000K BL ETL	AM402100055
PP.S2.960412	ProPoint Sconce M Red BL ETL	AM402080055
PP.S2.970412	ProPoint Sconce M Green BL ETL	AM402070055
PP.S2.980412	ProPoint Sconce M Blue BL ETL	AM402060055
PP.S2.913413	ProPoint Sconce M 3000K WT ETL	AM402140055
PP.S2.914413	ProPoint Sconce M 4000K WT ETL	AM402150055
PP.S2.960413	ProPoint Sconce M Red WT ETL	AM402130055
PP.S2.970413	ProPoint Sconce M Green WT ETL	AM402120055
PP.S2.980413	ProPoint Sconce M Blue WT ETL	AM402110055
PP.S2.713411	ProPoint Sconce M 3000K On/Off ETL	AM402490055
PP.S2.714411	ProPoint Sconce M 4000K On/Off ETL	AM402500055
PP.S2.760411	ProPoint Sconce M Red On/Off ETL	AM402480055
PP.S2.770411	ProPoint Sconce M Green On/Off ETL	AM402470055
PP.S2.780411	ProPoint Sconce M Blue On/Off ETL	AM402460055
PP.S2.713412	ProPoint Sconce M 3000K On/Off BL ETL	AM402540055
PP.S2.714412	ProPoint Sconce M 4000K On/Off BL ETL	AM402550055
PP.S2.760412	ProPoint Sconce M Red On/Off BL ETL	AM402530055
PP.S2.770412	ProPoint Sconce M Green On/Off BL ETL	AM402520055
PP.S2.780412	ProPoint Sconce M Blue On/Off BL ETL	AM402510055
PP.S2.713413	ProPoint Sconce M 3000K On/Off WT ETL	AM402590055
PP.S2.714413	ProPoint Sconce M 4000K On/Off WT ETL	AM402600055
PP.S2.760413	ProPoint Sconce M Red On/Off WT ETL	AM402580055
PP.S2.770413	ProPoint Sconce M Green On/Off WT ETL	AM402570055
PP.S2.780413	ProPoint Sconce M Blue On/Off WT ETL	AM402560055

[www.traxontechnologies.com](http://www.traxontechnologies.com) | [www.osram.us/traxon](http://www.osram.us/traxon)

©2021 TRAXON TECHNOLOGIES - AN OSRAM BUSINESS. ALL RIGHTS RESERVED. TRAXON™, TX CONNECT®, ARE TRADEMARKS OF TRAXON TECHNOLOGIES. U.S. PATENTS, E.U. PATENTS, JAPAN PATENTS, OTHER PATENTS PENDING. SPECIFICATIONS ARE SUBJECT TO CHANGE WITHOUT NOTICE.

## ProPoint Sconce M White + Color

Ordering

### Accessories

Model No.	Description	Item Code
PP.SC.120001	ProPoint Sconce Mount Over JBox Bracket S	AM401790055
PP.SC.220001	ProPoint Sconce Mount Over JBox Bracket M	AM401780055
PP.SC.320001	ProPoint Sconce Mount Over JBox Bracket L	AM401770055
PP.SC.120002	ProPoint Sconce Mount Over JBox Bracket S BL	AM401820055
PP.SC.220002	ProPoint Sconce Mount Over JBox Bracket M BL	AM401810055
PP.SC.320002	ProPoint Sconce Mount Over JBox Bracket L BL	AM401800055
PP.SC.120003	ProPoint Sconce Mount Over JBox Bracket S WT	AM401850055
PP.SC.220003	ProPoint Sconce Mount Over JBox Bracket M WT	AM401840055
PP.SC.320003	ProPoint Sconce Mount Over JBox Bracket L WT	AM401830055

### Our Brands

traxon e:cue

OSRAM

©2021 TRAXON TECHNOLOGIES - AN OSRAM BUSINESS. ALL RIGHTS RESERVED. TRAXON™, TX CONNECT®, ARE TRADEMARKS OF TRAXON TECHNOLOGIES. U.S. PATENTS, E.U. PATENTS, JAPAN PATENTS, OTHER PATENTS PENDING. SPECIFICATIONS ARE SUBJECT TO CHANGE WITHOUT NOTICE.