

Project: _____
 Type: _____



ProPoint Sconce S White + Color

The ProPoint Sconce White + Color is an AC Line powered luminaire. The ProPoint Sconce offers a tight, controlled grazing solution to exterior applications where the light source will be visible. The sleek design works in both traditional and contemporary architectural environments. Available in three sizes, with both white and color options. The daisy chain topology, and direct-wire nature of the fixture via the two integral cable whips allow for simple installation into existing installations and new structures.



Product Specifications

Model	ProPoint Sconce S White / Color	
Light Source	3 LED	
Light Source	3000K / 4000K / Red / Green / Blue standard 2200K, 2700K, 3500K, 5000K, 6500K, Amber available ¹	
Beam Angle	10° x 5°	
Luminous Flux	113 lm - 299 lm	
Efficacy	12 lm/W - 33 lm/W	
Lumen Maintenance	L70 @25°C 81,000hrs	
Cover Lens	Tempered Glass	
Housing	Die Cast Aluminum	
Adjustment Options	90°	
Dimensions	152.4mm x 121.4mm x 105.2mm / 6" x 4.78" x 4.14"	
Weight	1.36 kg / 3.00 lbs.	
EPA (sq.ft)	With standard bracket	Front: 0.3108 Side : 0.1566 Front 45° : 0.2778
	With wall mount bracket	Front: 0.3303 Side : 0.1967 Front 45° : 0.3020
Regulatory Listing & Safety Approval	CE, FCC, RoHS, REACH, ASTM B117-16, ANSI 3G, IK08	
Operating Temperature	-30°C to +55°C / -22°F to +131°F	
Minimum Starting Temperature	-20°C / -4°F	
Storage Temperature	-40°C to +80°C / -40°F to +176°F	
Environment	Outdoor (IP66), suitable for coastal environments	
Humidity	85%, non-condensing	

Electrical Specifications

Input Voltage	120-277Vac 50/60Hz
Power Consumption	9W Max.
Power Factor	≥ 0.9

System Specifications

Control	DMX512, RDM Enabled or On/Off
Power	AC Line
Power Supply	Integrated

1. No MOQ required. Please consult regional sales office for pricing and lead time.

LED CHARACTERISTICS Because LEDs are semiconductor devices, their performances are subject to inherent variability commonly found in semiconductor industry. To improve consistency in performance across the same product, LED manufacturers "sort" LEDs into bins according to different preset parameters, such as forward driving voltage, illumination, etc. Whereas binning is a sorting function, it is not a correction process. Inherent variability in the manufacturing process results always in different binning distributions according to different production lots. Traxon uses automatically binned LEDs on its products, thereby minimizing output variations within the model range.

As with all electronic devices, LED output degrades over time – a term called lumen depreciation. This also explains why it is nearly impossible to expect photometric performances of two LED products with different service life spans to be the same. The rate of LED degrade is a complicate function of many factors such as operating efficiency, duration of continuous operation, and more significantly, environmental conditions (ambient temperature for example). If allowed working under optimal operating temperature range and with good ventilation, LED devices enjoy long service lives over conventional light sources. When using/installing LED devices, care should be taken to ensure that the devices will operate within the operating conditions specified in respective product literature.

Lumen measurement complies with LM-79-08 standard.
 Lumen maintenance is calculated based on LM-80 compliant measurement.

www.traxontechnologies.com | www.osram.us/traxon

©2021 TRAXON TECHNOLOGIES - AN OSRAM BUSINESS. ALL RIGHTS RESERVED. TRAXON™, TX CONNECT®, ARE TRADEMARKS OF TRAXON TECHNOLOGIES. U.S. PATENTS, E.U. PATENTS, JAPAN PATENTS, OTHER PATENTS PENDING. SPECIFICATIONS ARE SUBJECT TO CHANGE WITHOUT NOTICE.

ProPoint Sconce S White + Color

Photometrics

Source Specifications

LED Source	3 LED
Beam Angle	10° x 5°
Cover Lens	Tempered Glass

Candela Distribution

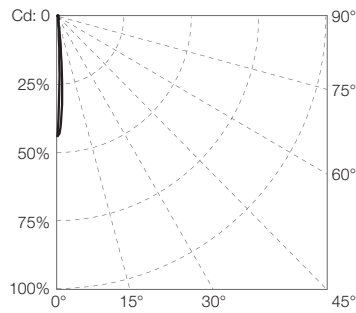
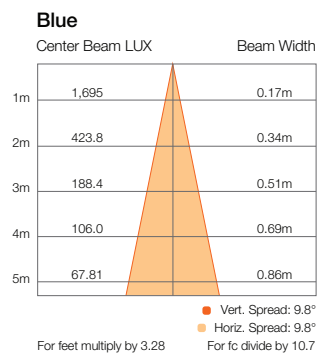
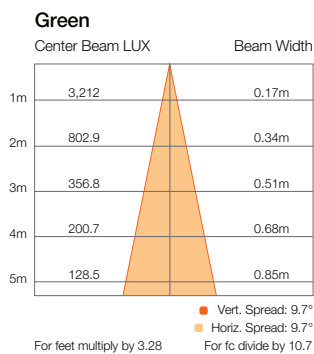
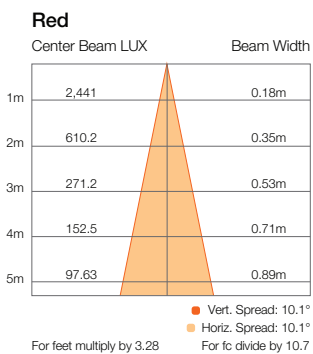
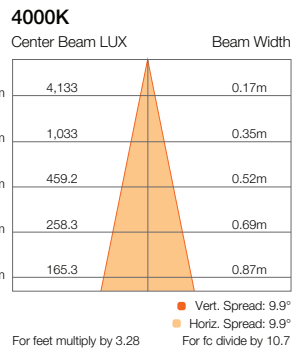
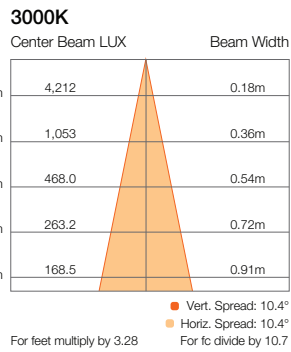


Diagram based on Sconce S 3000K 10° x 5°

Light Output

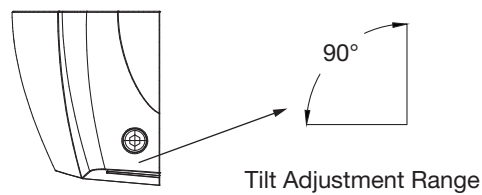
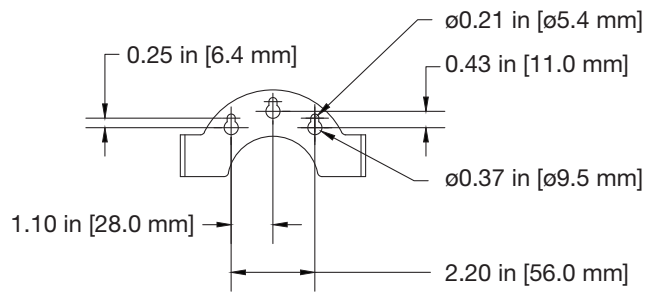
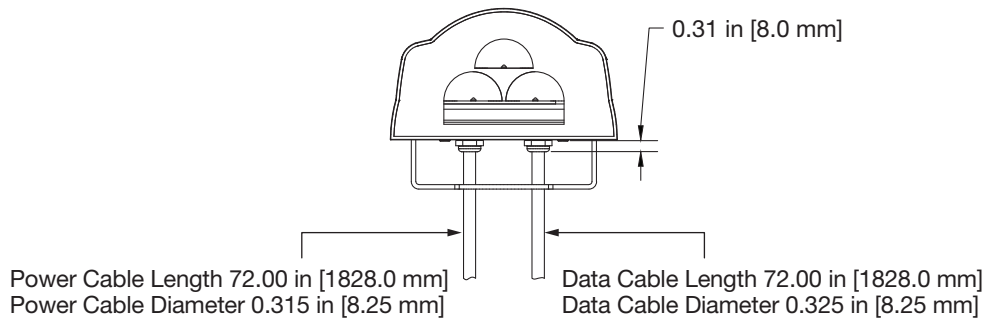
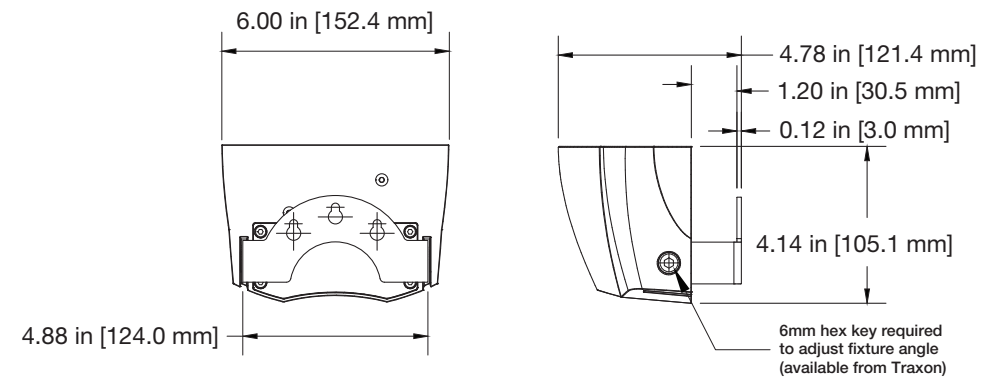
Color	Luminous Flux (lm)	Candela Distribution @100%	Efficacy (lm/W)
3000K	299.11	4,274.70	33.01
4000K	280.5	4,195.70	31.22
Red	173.55	2,457.30	23.19
Green	210.12	3,205.00	22.91
Blue	113.27	1,677.04	12.54

Illuminance at a Distance

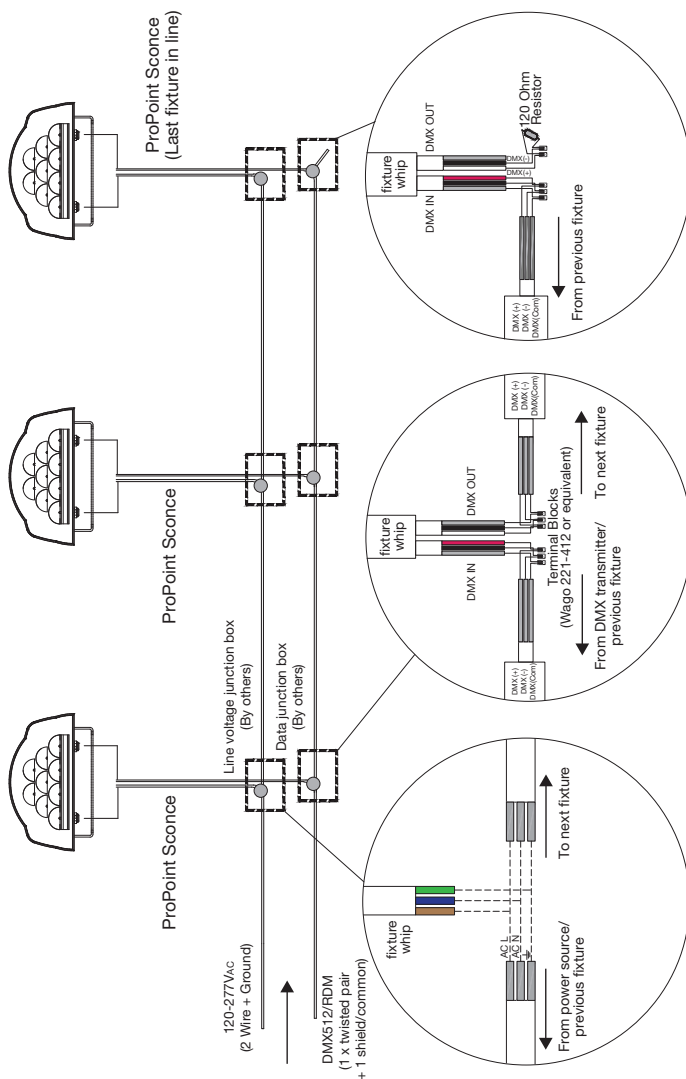


ProPoint Sconce S White + Color

Dimensions



- ProPoint Sconce fixtures ship with two cable whips: One cable whip for power input, consisting of two wires plus a ground, and one cable whip for DMX512 RDM input/output.
- No more than (32) fixtures on a single DMX512 link, max 300m total (source to last fixture).
- Each DMX512 link must be properly terminated to prevent signal reflections.
- Data cabling from DMX source to first fixture and between subsequent ProPoint Sconce fixtures shall be Cat5e UTP or higher (stranded type only) or other cable type suitable for DMX communication. Consult DMX standard for additional guidance.



General Notes

- All data cabling must adhere to ANSI E1.11-2008 (F2013) – Entertainment Technology – USITT DMX512-A, Asynchronous Serial Digital Data Transmission Standard for Controlling Lighting Equipment and Accessories.
- Fixtures allow a universal input of 120VAC to 277VAC.
- Data termination shall utilize cage clamp terminal blocks, or equivalent. Wire nuts are not permissible and will void warranty.
- The method of line voltage termination, both for data and power, is at the discretion of the installing contractor, and/or engineer. Splicing and/or joining of cables must adhere to all applicable electrical codes.
- Cables must be spliced/joined in a weatherproof enclosure/junction box, which is to be properly rated and provided by others.

ProPoint Sconce S White + Color

Ordering

Model Number

PP	S1	X	X	X	6	1	X
ProPoint	Sconce S	Control	Color	CCT	Approbation	Optic	Finish
	S1: Sconce S	9: DMX	8: Blue	0: No CCT	6: CE	1: 10° x 5°	1: Gray
		7: On / Off	7: Green	3: 3000K			2: Black
			6: Red	4: 4000K			3: White
			1: White				

Fixtures

Model No.	Description	Item Code
PP.S1.913611	ProPoint Sconce S 3000K	AM401190055
PP.S1.914611	ProPoint Sconce S 4000K	AM401200055
PP.S1.960611	ProPoint Sconce S Red	AM401180055
PP.S1.970611	ProPoint Sconce S Green	AM401170055
PP.S1.980611	ProPoint Sconce S Blue	AM401160055
PP.S1.913612	ProPoint Sconce S 3000K BL	AM401240055
PP.S1.914612	ProPoint Sconce S 4000K BL	AM401250055
PP.S1.960612	ProPoint Sconce S Red BL	AM401230055
PP.S1.970612	ProPoint Sconce S Green BL	AM401220055
PP.S1.980612	ProPoint Sconce S Blue BL	AM401210055
PP.S1.913613	ProPoint Sconce S 3000K WT	AM401290055
PP.S1.914613	ProPoint Sconce S 4000K WT	AM401300055
PP.S1.960613	ProPoint Sconce S Red WT	AM401280055
PP.S1.970613	ProPoint Sconce S Green WT	AM401270055
PP.S1.980613	ProPoint Sconce S Blue WT	AM401260055
PP.S1.713611	ProPoint Sconce S On/Off 3000K	AM401640055
PP.S1.714611	ProPoint Sconce S On/Off 4000K	AM401650055
PP.S1.760611	ProPoint Sconce S On/Off Red	AM401630055
PP.S1.770611	ProPoint Sconce S On/Off Green	AM401620055
PP.S1.780611	ProPoint Sconce S On/Off Blue	AM401610055
PP.S1.713612	ProPoint Sconce S On/Off 3000K BL	AM401690055
PP.S1.714612	ProPoint Sconce S On/Off 4000K BL	AM401700055
PP.S1.760612	ProPoint Sconce S On/Off Red BL	AM401680055
PP.S1.770612	ProPoint Sconce S On/Off Green BL	AM401670055
PP.S1.780612	ProPoint Sconce S On/Off Blue BL	AM401660055
PP.S1.713613	ProPoint Sconce S On/Off 3000K WT	AM401740055
PP.S1.714613	ProPoint Sconce S On/Off 4000K WT	AM401750055
PP.S1.760613	ProPoint Sconce S On/Off Red WT	AM401730055
PP.S1.770613	ProPoint Sconce S On/Off Green WT	AM401720055
PP.S1.780613	ProPoint Sconce S On/Off Blue WT	AM401710055

www.traxontechnologies.com | www.osram.us/traxon

©2021 TRAXON TECHNOLOGIES - AN OSRAM BUSINESS. ALL RIGHTS RESERVED. TRAXON™, TX CONNECT®, ARE TRADEMARKS OF TRAXON TECHNOLOGIES. U.S. PATENTS, E.U. PATENTS, JAPAN PATENTS, OTHER PATENTS PENDING. SPECIFICATIONS ARE SUBJECT TO CHANGE WITHOUT NOTICE.

ProPoint Sconce S White + Color

Ordering

Accessories

Model No.	Description	Item Code
PP.SC.120001	ProPoint Sconce Mount Over JBox Bracket S	AM401790055
PP.SC.220001	ProPoint Sconce Mount Over JBox Bracket M	AM401780055
PP.SC.320001	ProPoint Sconce Mount Over JBox Bracket L	AM401770055
PP.SC.120002	ProPoint Sconce Mount Over JBox Bracket S BL	AM401820055
PP.SC.220002	ProPoint Sconce Mount Over JBox Bracket M BL	AM401810055
PP.SC.320002	ProPoint Sconce Mount Over JBox Bracket L BL	AM401800055
PP.SC.120003	ProPoint Sconce Mount Over JBox Bracket S WT	AM401850055
PP.SC.220003	ProPoint Sconce Mount Over JBox Bracket M WT	AM401840055
PP.SC.320003	ProPoint Sconce Mount Over JBox Bracket L WT	AM401830055

Our Brands

traxon e:cue

OSRAM

©2021 TRAXON TECHNOLOGIES - AN OSRAM BUSINESS. ALL RIGHTS RESERVED. TRAXON™, TX CONNECT®, ARE TRADEMARKS OF TRAXON TECHNOLOGIES. U.S. PATENTS, E.U. PATENTS, JAPAN PATENTS, OTHER PATENTS PENDING. SPECIFICATIONS ARE SUBJECT TO CHANGE WITHOUT NOTICE.