

Light is compact

Minimal size, maximum flexibility

OPTOTRONIC® FIT LT2 S LED drivers give you the flexibility to set the current via a resistor to suit your needs – one driver, different lumen packages. And with the powerful, but smaller light emitting surface of the PrevaLED® Core Z6 Mini LED module you have greater design flexibility, enabling more compact reflectors while keeping the lighting characteristics of your spotlight.

Light is OSRAM

OSRAM

Design compact lights – with no compromises when it comes to light quality!

Miniaturization with outstanding light quality and a high level of flexibility: The new OPTOTRONIC® FIT LT2 S LED driver and the Zhaga-compliant PrevaLED® Core Z6 Mini LED module provide lighting manufacturers and planners with innovative features for the creative design of compact luminaires.

Minimal size, maximum performance and flexibility

Do you want to develop even more compact spotlights and downlights but without sacrificing light quality? With OSRAM's new OPTOTRONIC® FIT LT2 S LED driver range and the matching PrevaLED® Core Z6 Mini LED module, you benefit from a compact size, a high level of flexibility, outstanding reliability and durability and low maintenance needs. As a result, you can create the luminaires of tomorrow today.

The perfectly tailored system comprising driver and module offers excellent performance and flexibility. This makes it ideal for spotlights and downlights in shops, hotels and the hospitality industry, living areas and office buildings. At the same time, OSRAM's OPTOTRONIC® FIT LT2 S LED driver is compatible with many CoBs and LED modules, while the even smaller LES (Light Emitting Surface) of the OSRAM PrevaLED® Core Z6 Mini allows more compact reflectors but without changing the light characteristics of the spotlight. All this allows you to design, particularly compact luminaires – with no compromises when it comes to quality.

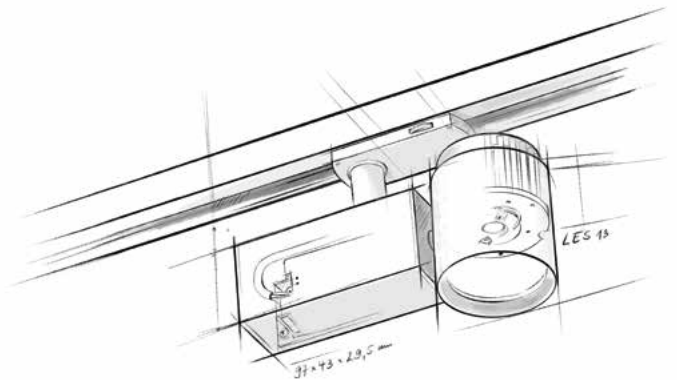


LEDset:

The new OPTOTRONIC® devices with the LEDset interface are ideally set up to meet requirements in terms of flexibility and adaptability. They cover a wide range of wattages and currents and support future generations of LEDs with their future-proof design.

The LEDset resistor needed in each case can be calculated using the following formula (regardless of manufacturer):

$$R_{set}[\Omega] = (5V/I_{out} [A]) \times 1000$$

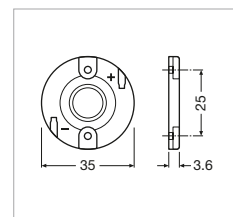
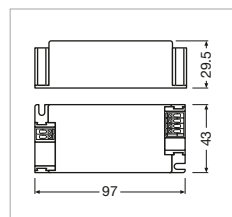


Example: Use of resistors to set the driver current for a specific module light yield

Modules	LED drivers	Resistor E48 [kOhm]		
		14,3	10	7,15
		Resulting current [mA]		
		350 mA	500 mA	700 mA
PL-CORE-Z6-MINI-2000-840	OT FIT 15/220-240/500 LT2 S	1855 lm*	2523 lm*	
PL-CORE-Z6-MINI-3000-840	OT FIT 25/220-240/700 LT2 S		2575 lm*	3456 lm*

* At T_p





OSRAM OPTOTRONIC® FIT LT2 S LED driver:

- Broad operating window for a wide range of CoBs and LED modules
- LEDset interface: One driver for a variety of lumen packages
- Wide range of applications thanks to different output levels: 15 W, 25 W, 40 W
- Low current ripple: under 1 %
- Independent mounting via OT cable clamp D-STYLE possible
- Operating life: Up to 50,000/100,000 h¹
- Compact size: 97 × 43 × 29.5 mm
- 5-year guarantee²

OSRAM PrevaLED® Core Z6 Mini LED module:

- LED module for very compact spotlight luminaires (Zhaga book 11)
- Small LES 13 (Light Emitting Surface) allows very compact reflectors
- Flexibility as regards choice of driver allows low-cost, dimmable systems
- Wide range of products with a choice of luminous flux, color temperature and color rendering
- High module light yield: Up to 146 lm/W at $T_p = 65^\circ\text{C}$
- Operating life (L80/B50): 60,000 h at $T_p = 65^\circ\text{C}$
- 5-year guarantee²

A quick comparison with other OSRAM LED drivers:

	OT FIT LT2 S	OT FIT CS G2	OTe CS
Suitability for a wide range of CoBs and LED modules	✓✓✓✓	✓✓	✓✓
Light quality	✓✓✓	✓✓	✓
Compact size	✓✓✓	✓✓✓	✓✓

We work systematically to ensure your success

OSRAM offers you everything you need for successful LED projects – with innovative products and individual solutions including various LED drivers, LED modules and light management systems. These can be used individually, in combination or as a complete system. Everything in uncompromising quality, from a single source and guaranteed². And if you are planning a particularly creative lighting project, we can work with you to develop individual solutions.

You are just one click away from your individual lighting solution:
www.osram.com/tailormade

¹ 50,000 h at max. T_c temperature at T_c point 75°C , max. 10 % failure rate; 100,000 h at 10°C under max. T_c temperature at T_c point 75°C , max. 10 % failure rate

² The OSRAM guarantee provisions can be found at www.osram.com/corporate/home/services/guarantees



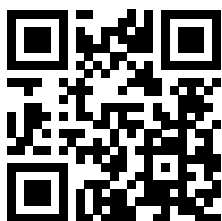
OSRAM OPTOTRONIC® FIT LT2 S LED driver

Product name	Product code	Nominal output power	Nominal output voltage	Nominal output current	ECG efficiency (max.)	Current ripple (100 Hz)	Ambient temperature range
OT FIT 15/220...240/500 LT2 S	4052899956995	4,5...17,5 W	15...50 V	150...500 mA	≥ 84 %	< 1 %	-20...+ 50 °C
OT FIT 25/220...240/700 LT2 S	4052899957008	8,0...26,5 W	15...50 V	300...700 mA	≥ 86 %	< 1 %	-20...+ 50 °C
OT FIT 40/220...240/1A0 LT2 S	4052899957015	13...40 W	15...50 V	500...1,050 mA	≥ 87 %	< 1 %	-20...+ 40 °C
OT cable clamp D-STYLE	4052899077904						



OSRAM PrevaLED® Core Z6 Mini


PL-CORE-Z6-MINI-	Product code	Rated luminous flux	Rated wattage	Luminous efficacy	Rated current	Rated voltage	Color rendering index [R _a]
2000-827	4052899457386	2,000 lm	17.3 W	116 lm/W	465 mA	37.2 V	≥ 80
2000-830	4052899457409	2,000 lm	15.4 W	130 lm/W	420 mA	36.6 V	≥ 80
2000-835	4052899457423	2,000 lm	14.5 W	138 lm/W	400 mA	36.3 V	≥ 80
2000-840	4052899457447	2,000 lm	13.7 W	146 lm/W	380 mA	36.1 V	≥ 80
2000-930	4052899457461	2,000 lm	22.4 W	89 lm/W	580 mA	38.6 V	≥ 90
2000-940	4052899457485	2,000 lm	19.5 W	103 lm/W	515 mA	37.8 V	≥ 90
3000-827	4052899457508	3,000 lm	26.7 W	112 lm/W	725 mA	36.8 V	≥ 80
3000-830	4052899457522	3,000 lm	24.1 W	124 lm/W	665 mA	36.3 V	≥ 80
3000-835	4052899457546	3,000 lm	22.5 W	133 lm/W	625 mA	36.0 V	≥ 80
3000-840	4052899457560	3,000 lm	21.3 W	141 lm/W	595 mA	35.8 V	≥ 80
3000-930	4052899457584	3,000 lm	34.1 W	88 lm/W	895 mA	38.1 V	≥ 90
3000-940	4052899457607	3,000 lm	29.9 W	100 lm/W	800 mA	37.4 V	≥ 90



Discover OSRAM's LED system solutions for offices, hotels and industry in an attractive, informative and innovative way at systemsolution.osram.com

You will find more information about us and our wide product range at:

OSRAM Digital Lighting Systems:
www.osram.com/oem

Follow OSRAM Digital Lighting Systems @ 

OSRAM GmbH

Head office

Marcel-Breuer-Strasse 6
 80807 Munich, Germany
 Phone +49 89 6213-0
 Fax +49 89 6213-2020
www.osram.com

