

OPTOTRONIC®



Constant Current Step-Dimmable LED Power Supplies



Key Features & Benefits

- Five fixed output current options per model for simple output flexibility
- Step-Dim – 100-50%
- Two hot wires – neutral and ground
- Euro-style traditional form factor – 11" x 1.2" x 1.0" (L x W x H)
- Universal Input Voltage – 120-277V_{AC} 50/60Hz
- UL Class 2 output for safe operation

OPTOTRONIC step-dimmable family consists of highly efficient, constant current 30-50W LED power supplies. The family offers an innovative, simple to use output current offering through the use of five fixed output current options per model. These power supplies have bi-level powerline step-dimming (100-50%) and have two hot wires – neutral and ground. The OT30/50W family comes in a euro-style traditional form factor.

Product Offering

Max. Power	Output Current	Dimming
30W	250-1000mA	Step-Dim (50% or 100%)
50W	700-1400mA	Step-Dim (50% or 100%)

Application Information

Applications

- Hi-bay
- Indirect/direct
- Industrial
- Linear
- Recessed troffer

Specifications and Certifications



Electrical Specifications

Maximum Output Power (W)	Nominal Input Voltage (V _{AC})	Maximum Input Current (A)	Power Factor	THD	Line Transient	Efficiency	Environmental Rating	UL File #
30W	120-277V _{AC} 50/60 Hz	0.31 @ 120V 0.15 @ 277V	>0.9	<20%	ANSI C62.41 Cat.A 2.5kV	>80%	Dry & Damp	E320395
50W	120-277V _{AC} 50/60 Hz	0.52 @ 120V 0.23 @ 277V	>0.9	<20%	ANSI C62.41 Cat.A 2.5kV	>80%	Dry & Damp	E320395

Ordering Information

Item Number	Ordering Abbreviation	Max. Output Power (W)	Output Current Range (mA) ¹	Output Voltage Range (V _{OC})	Dimming Control	Dimming Range
79376	OT30W/CS1050C/UNV/SD/L	30	250, 350, 500, 700, 1050	25-55	Step-Dim	50/100%
79377	OT50W/CS1400C/UNV/SD/L	50	700, 800, 1050, 1250, 1400*	25-55	Step-Dim	50/100%

¹ For 1400mA output, the max output power is 47W and the output voltage is 33V.

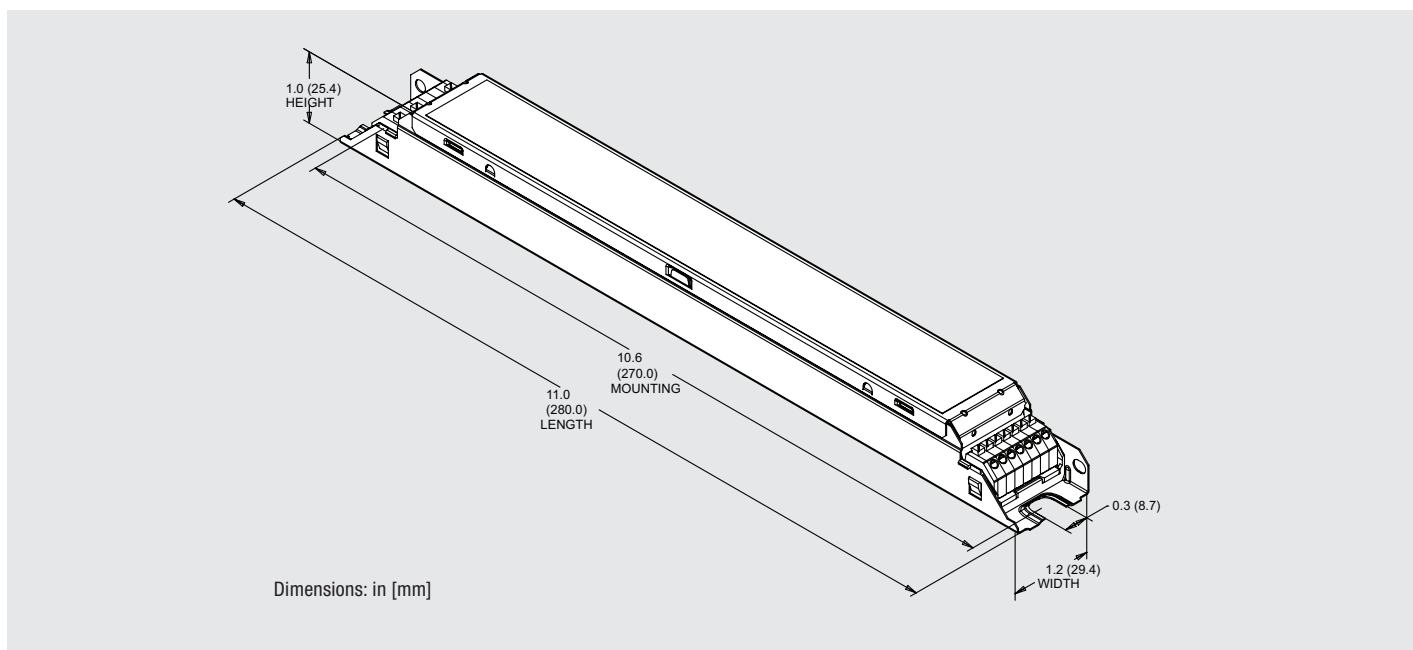
Ordering Guide

OT	30W	/	CS	/	1050C	/	UNV	/	SD	/	L
OPTOTRONIC®	Output Wattage		Current Select		Output Current		Input Voltage (120-277V)		Step-Dim		Linear

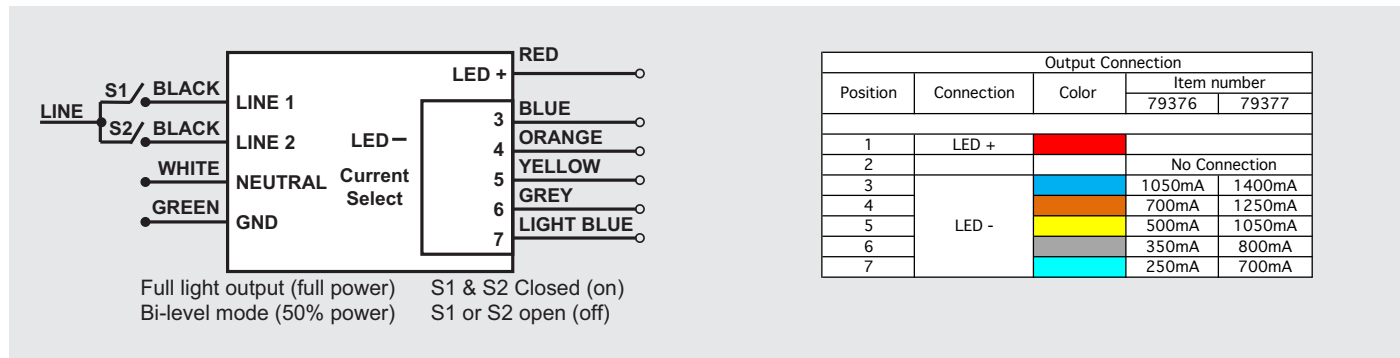
Minimum and Maximum Ratings

Parameter	Values
Input Voltage Range	108 - 305V _{AC}
Maximum Case Temperature (T _c point)	90°C (194°F)
Maximum Case Temperature for 5-Year Life and Warranty	75°C (165°F)
Ambient Operating Temperature (reference)	-40°C to 50°C (-40°F to 122°F)
Storage Temperature	-35°C to 75°C (-31°F to 165°F)
Maximum Relative Humidity	85% (Non-condensing)

Assembly Diagram



Wiring Diagram



Packaging

Quantity: 10 pieces per case
 Weight: 0.5 lbs ea./5 lbs per case (approx.)

Warranty

OPTOTRONIC® Products are covered by our LED module, LED power supply or control Warranty. For additional details, refer to the latest version of the warranty (LED089) available at www.osram-america.com

OSRAM SYLVANIA Inc.
 200 Ballardvale Street
 Wilmington, MA 01887 USA
 877-636-5267
ds.info@osram.com
www.osram-america.com

OSRAM and OPTOTRONIC are registered trademarks of OSRAM GmbH.
 Specifications are subject to change without notice.