

# Connected Lighting Module DEXAL (CLM DEXAL)



The CLM is designed to enable individual luminaire control to spaces delivering ultimate flexibility to building managers for the life of the space. With controls inherently integrated, it significantly reduces electrical contractor labor hours during installation. For the lighting OEM, it reduces component count and streamlines assembly.

The DEXAL interface enables bi-directional communication and power between the LED driver and the CLM DEXAL making it ideal for smart building applications that require accurate data that includes power consumption, temperature profile, operating hours and failure diagnostics.

The CLM DEXAL also enables tunable white applications with Encelium Lighting Management System by leveraging DALI Type-8 communication.

## System Compatibility

- Works with the Encelium® Extend Light Management System

## Key Features & Benefits

- Significantly reduce electrical contractor labor hours with luminaire integrated lighting controls
- Eliminate power pack and input side relay with built-in dim-to-off functionality optimized for CLM and Led driver
- Future-proof the lighting controls for flexible zone modifications as building needs change
- Leverage a robust and interoperable network solution to unlock new and exciting occupant-focused lighting applications
- Customize lighting scenes for tailored experiences and tasks
- Adjust light levels dynamically to respond to variable lighting requirements
- A DEXAL enabled system allows the extraction of valuable data such as input power consumption, operating time and case temperature
- **NEW:** Seamlessly enable tunable white applications with fixture integrated control for OPTOTRONIC 2-CH DALI Type 8 LED driver
- Unique form factor is intended for installation into a standard 0.5 inch (Pg-7) knockout present on virtually every luminaire
- UL924 Listed for Control of Emergency Lighting
- UL2043 Plenum Rated



Our Brand

ENCELIUM

OSRAM

## Specifications

### Certification

- ZigBee Home Automation (ZHA) 1.2

### ZigBee Profile

- ZHA Dimmable Light

### Device Type

- Router

### Radio Frequency

- 2.4 GHz

### Wireless Range

- 150 ft (45.7 m) line of sight, 50 ft (15.2 m) standard walls

### Input

- Power delivered by OPTOTRONIC® LED drivers with DEXAL Technology

### LED Drivers

- Each CLM DEXAL is capable of handling 4 DEXAL drivers in parallel connection

### Operating Temperature

- -40° — 140°F (-40° — 60°C)

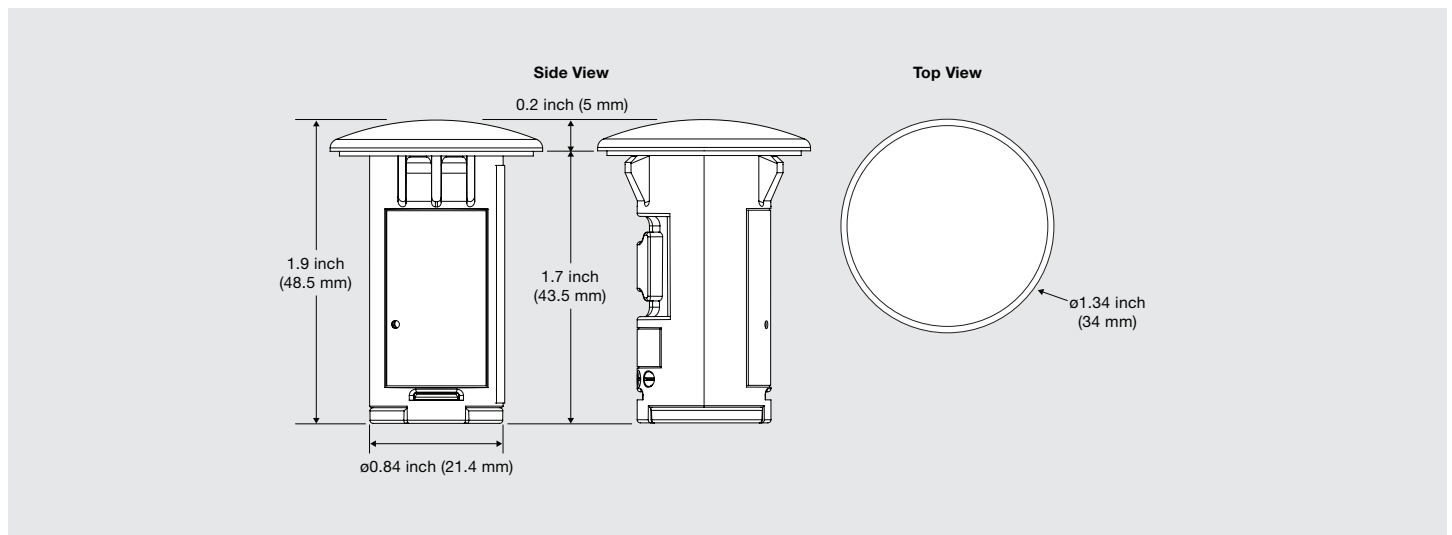
### Safety Approvals

- UL916 (Energy Management Equipment)
- UL924 cUL US Listed (Emergency Lighting Equipment)
- UL2043 Plenum Rated

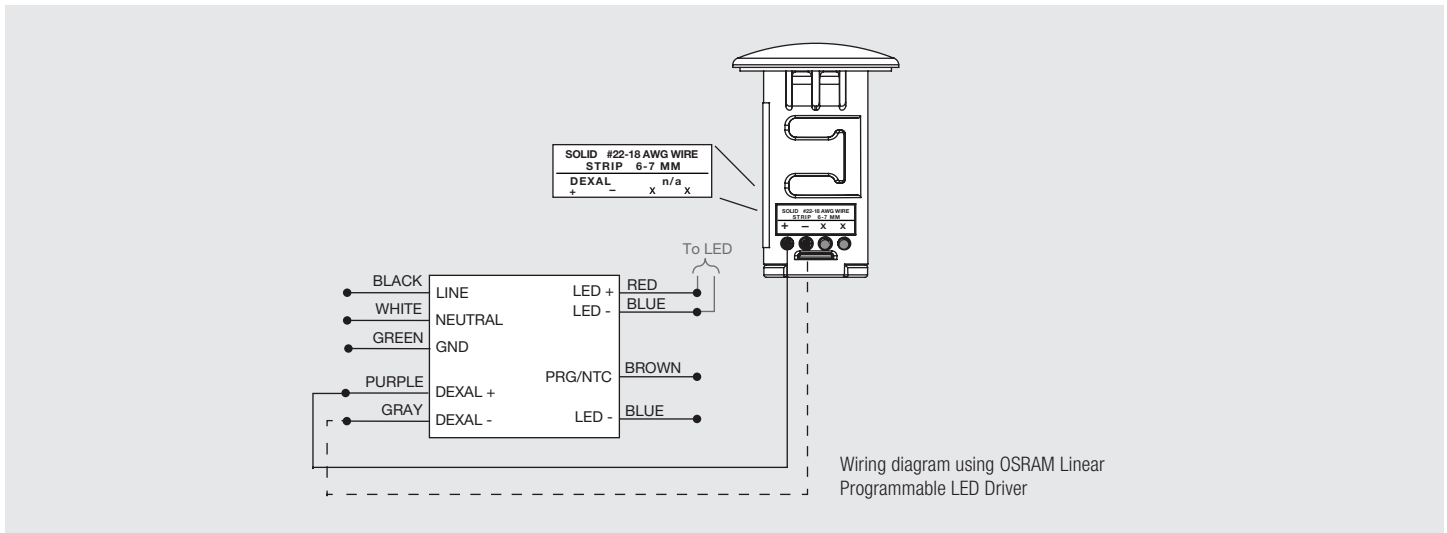
## Ordering Information

Item Number	Ordering Code	Communication Network	Dimming Protocol
57400	ZBHA-CLM DEXAL	ZigBee® Wireless	DEXAL (Data Exchange for Advanced Lighting)

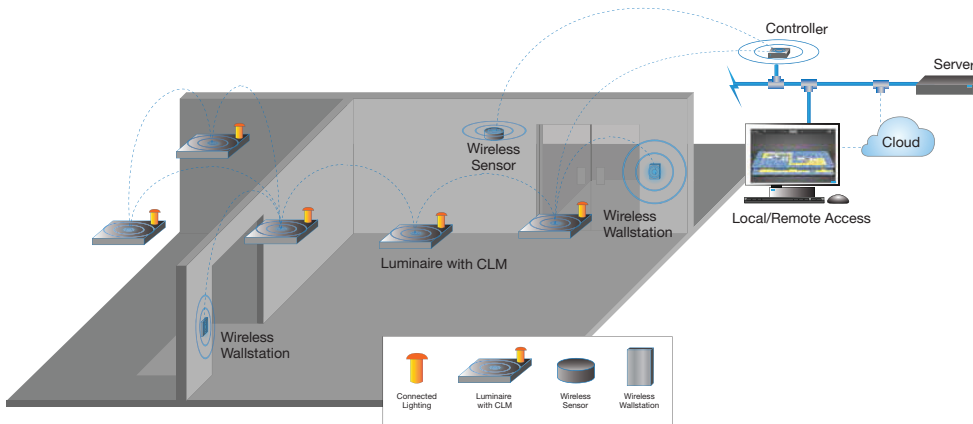
## Dimensions



## Wiring Diagrams



## Networked Light Management System Architecture



## Warranty

For warranty details, refer to the full warranty documentation at [www.encelium.com](http://www.encelium.com).

OSRAM SYLVANIA Inc.  
374 Congress Street  
Suite 600  
Boston, MA 02210 USA  
1-877-636-5267  
[www.encelium.com](http://www.encelium.com)

OSRAM is a registered trademark of OSRAM GmbH.  
Encelium Extend and GreenBus are registered trademarks of OSRAM SYLVANIA Inc.  
Specifications subject to change without notice.  
© 2020 OSRAM SYLVANIA Inc.

**LMS142 R5 10-20**

**OSRAM**