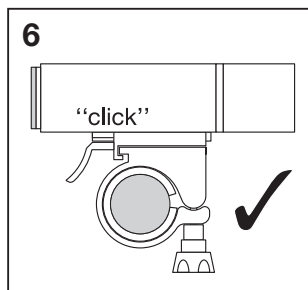
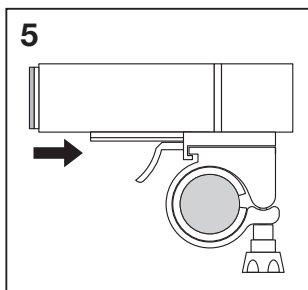
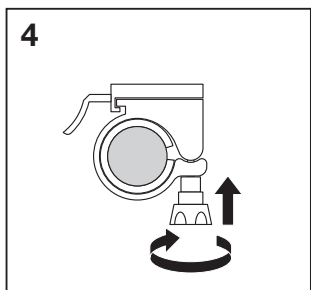
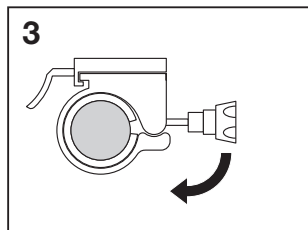
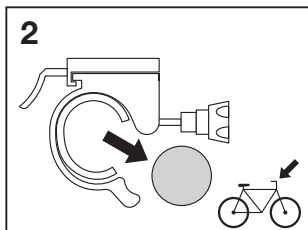
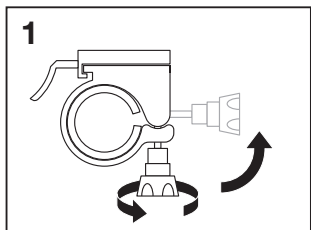
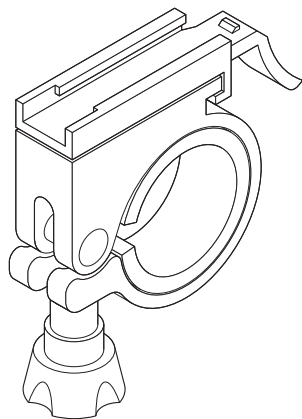
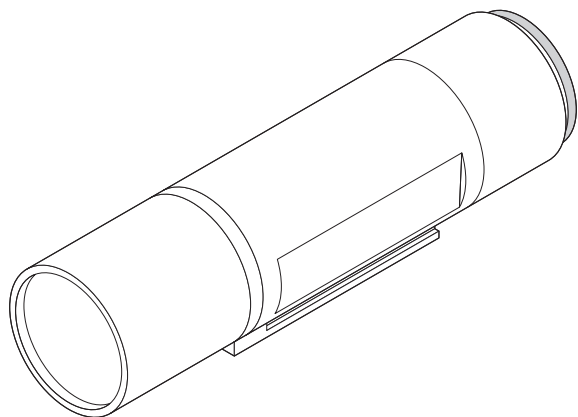
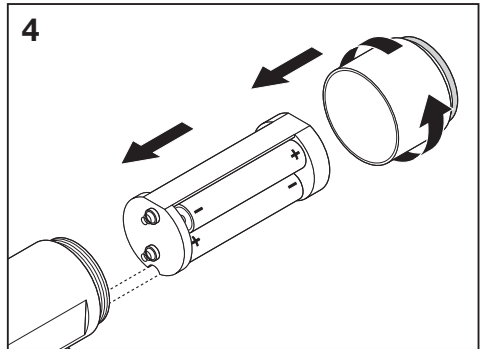
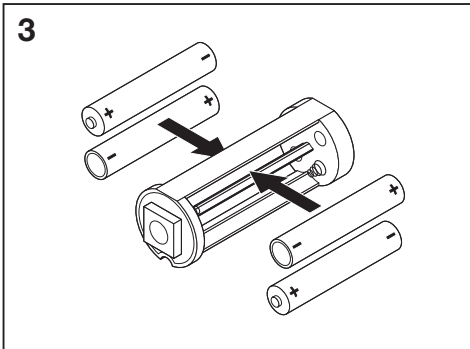
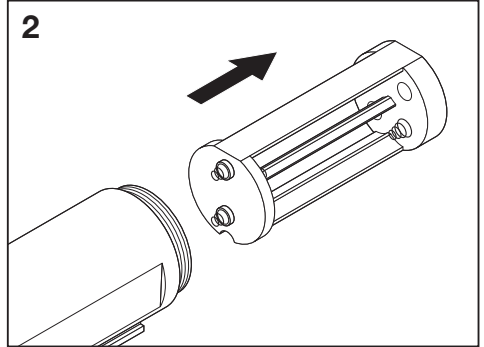
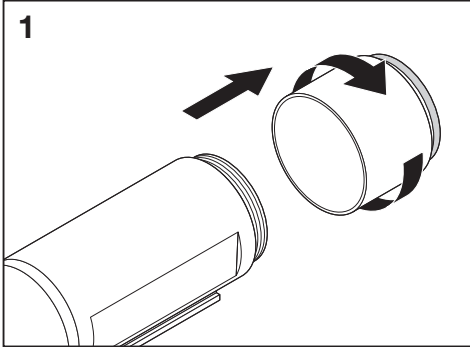
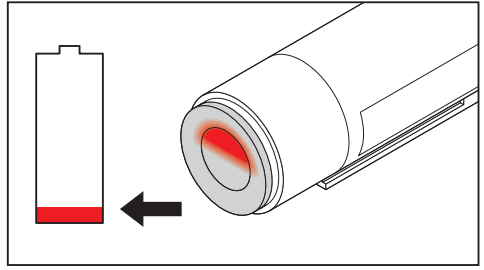
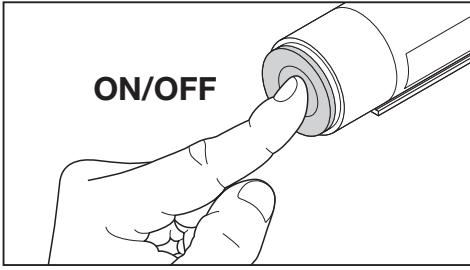


# LEDsBIKE® FX10





[www.osram.com/guarantee](http://www.osram.com/guarantee)

OSRAM GmbH  
Steinerne Furt 62  
86167 Augsburg  
Germany  
[www.osram.com](http://www.osram.com)



C10238698  
G10539451  
29.09.14

**GUARANTEE** ([www.osram.com/guarantee](http://www.osram.com/guarantee))

NAME

ADDRESS

PRODUCT NAME, MODEL

DATE OF PURCHASE