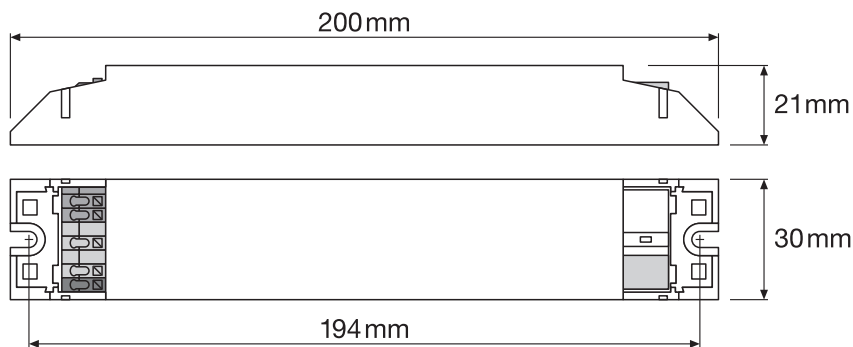
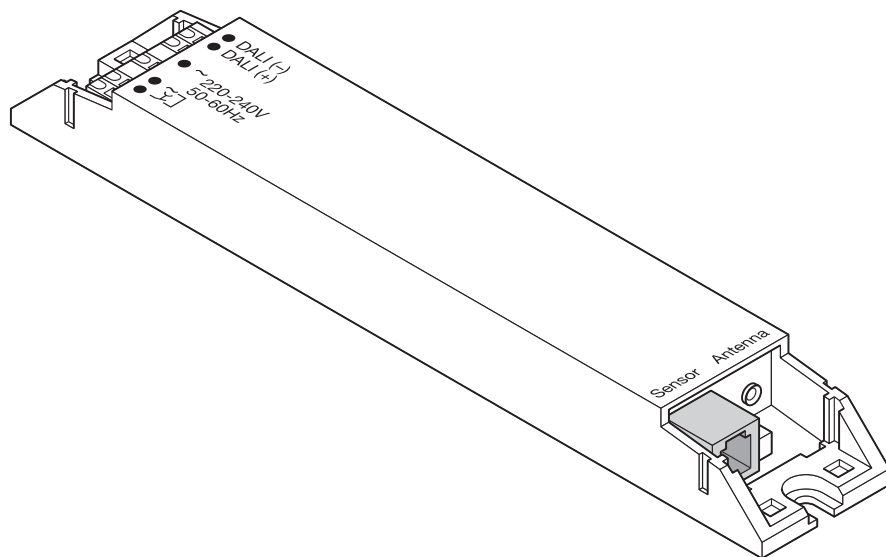


# LIGHTIFY Pro DSE



**NOT FOR PRINT PRODUCTION!**  
本品不可印刷生产

**WARNING:**

This PDF file is for reference only and no used for the creation of production art. Colour printouts and screen displays not be used for colour approval as they may vary from device to device. The values for this file are defined in either tone (PMS), HKS, or in process (CMYK).

For obtaining hard-copies in actual size (1:1) you need to enter the proper settings in your printer options.

**警告:**

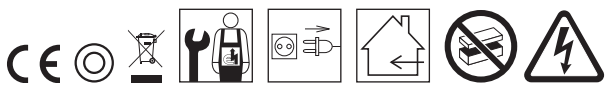
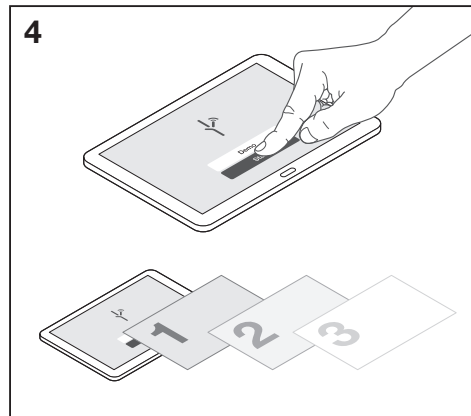
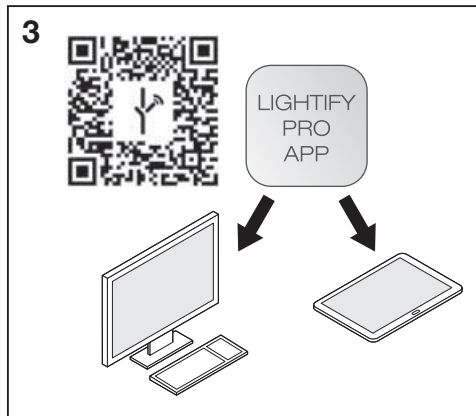
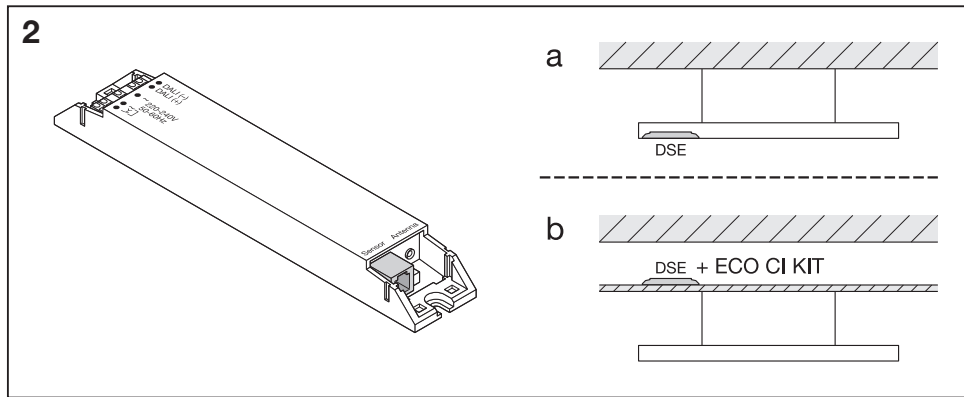
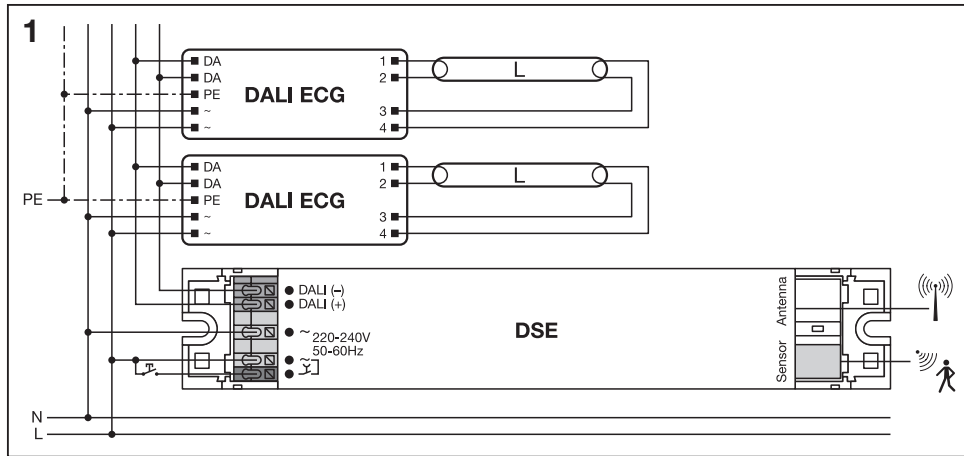
本PDF文档仅作为参照文件，不能将本用于印刷生产或者制作菲林。

本文档的彩色打印版本或其在电脑屏幕的色彩，不可用于最终的色彩参照。因或设备的差异，可能造成色彩的偏差。式色彩请遵照由色板卡片PMS, HKS, CMYK (青红黄黑) 所定义的色彩。

若本文档的打印件要获取1:1的原始尺寸，须在打印选项中作出相应的设置。



#154 #SABRINA  
#500000368929  
#0PP #OSRAM LIGHTIFY PRO DSE ZCR3124396-1492  
#2014-12-04 #  
#RL-Released  
ZGR 3124791-000-00



C10451593  
G10550822  
29.12.14

OSRAM GmbH  
Steinerne Furt 62  
86167 Augsburg, Germany  
[www.osram.com](http://www.osram.com)

**NOT FOR PRINT PRODUCTION!**  
**本品不可印刷生产**

**WARNING:**

This PDF file is for reference only and not to be used for the creation of production art. Colour printouts and screen displays may vary from device to device. The values for this file are defined in either tone (PMS), HKS, or in process color (CMYK).

For obtaining hard-copies in actual size (1:1) you need to enter the proper settings in your printer options.

**警告:**

本PDF文档仅作为参照文件，不能将本文件用于印刷生产或者制作菲林。

本文档的彩色打印版本或其于电脑屏幕的色彩，不可用于最终的色彩参照。因设备或设备的差异，可能造成色彩的偏差。正式的色彩请遵照由色板卡片PMS, HKS, CMYK (青红黄黑) 所定义的色彩。

若本文件的打印件要获取1:1的原始尺寸，必须在打印选项中作出相应的设置。

**OSRAM**