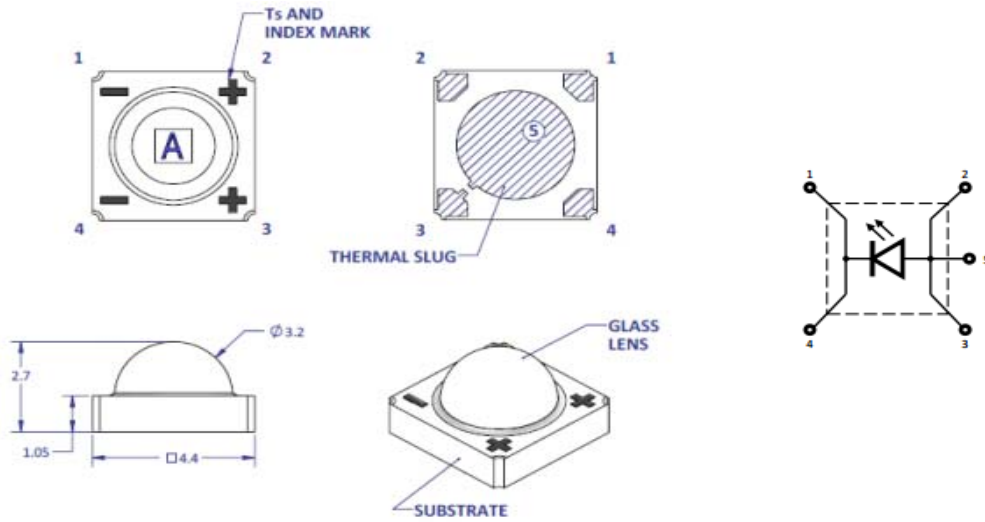


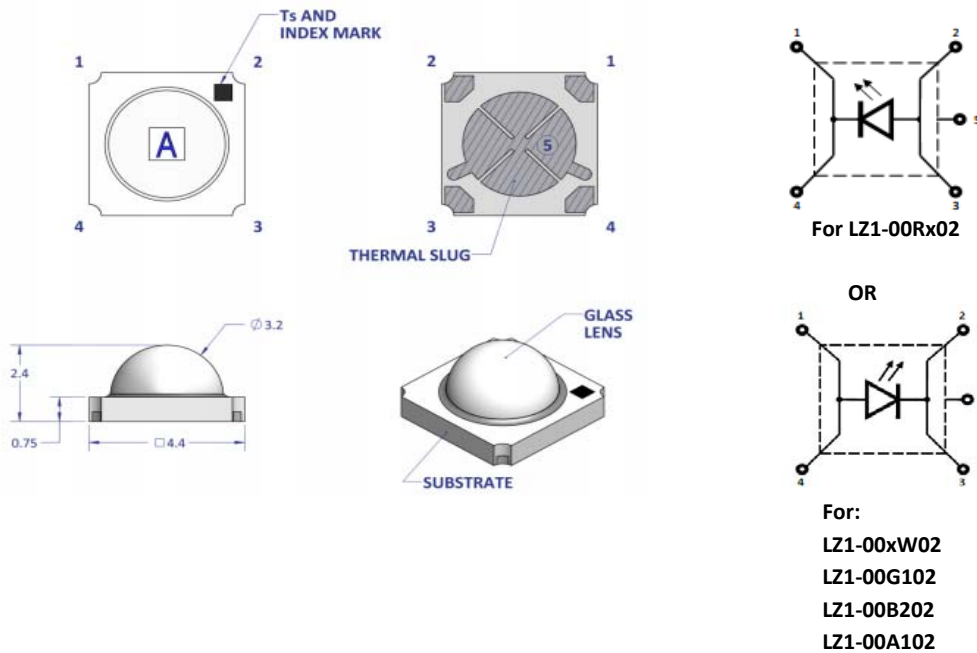
Product End-of-Life (EOL) Notification		
AFFECTED PART NUMBER(S): LZ1-x0xW00 LZ1-x0B200 LZ1-x0Rx00 LZ1-x0A100 LZ1-x0G100 Custom variants of the above part numbers		EOL No. 15
PART DESCRIPTION: LZ1 White family, Red family, Green, Blue and Amber Emitter		DATE: 10/29/2014
RECOMMENDED REPLACEMENT PART NUMBER(S):		
Affected P/Ns	Replacement P/Ns	Description of Replacement Part
LZ1-00XX00	LZ1-00XX02	Form, fit and function compatible with the affected P/Ns, but note that: 1. Emitter thermal resistance is 6.0C/W (vs. 10.5C/W for the affected P/Ns) 2. Electrically isolated thermal slug (vs. non-electrically isolated thermal slug for the affected P/Ns). See p.2 for more info. 3. Substrate thickness is 0.75mm (vs. 1.05mm for the affected P/Ns) resulting in 90 degree (typical) beam angle. See p.2 for more info. 4. Emitter orientation inside the carrier tape has changed to follow that of other LED Engin's package (index mark on top right). Please refer to each emitter datasheet for the electrical pin-out orientation. See p. 3 for more info.
LZ1-10XX00	LZ1-10XX02	
LZ1-30XX00	LZ1-10XX02	
XX = CW, NW, WW, R1, R2, R3, R4, G1, B2, A1		
REASON FOR EOL: Introduction of a higher performance ceramic substrate		
LAST ORDER DATE: LED Engin will continue to accept order for the affected part numbers until inventory is depleted.		LAST SHIPMENT DATE: N/A
DISPOSITION OF EXISTING INVENTORY: LED Engin will continue to ship the affected part numbers until inventory is depleted.		
NOTE: N/A		
CONTACT PERSON: Erin Tjahjono Product Manager 651 River Oaks Parkway San Jose, CA 95134 etjahjono@ledengin.com		

Mechanical Dimension and Electrical Configuration

LZ1-00XX00 (Affected P/Ns)

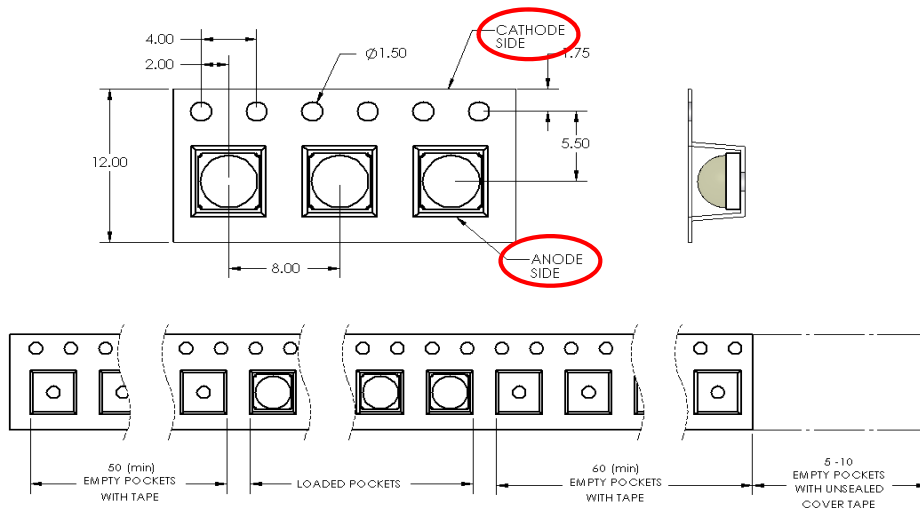


LZ1-00XX02 (Replacement P/Ns)



Emitter Tape and Reel Specifications

LZ1-00XX00 (Affected P/Ns)



LZ1-00XX02 (Replacement P/Ns)

