

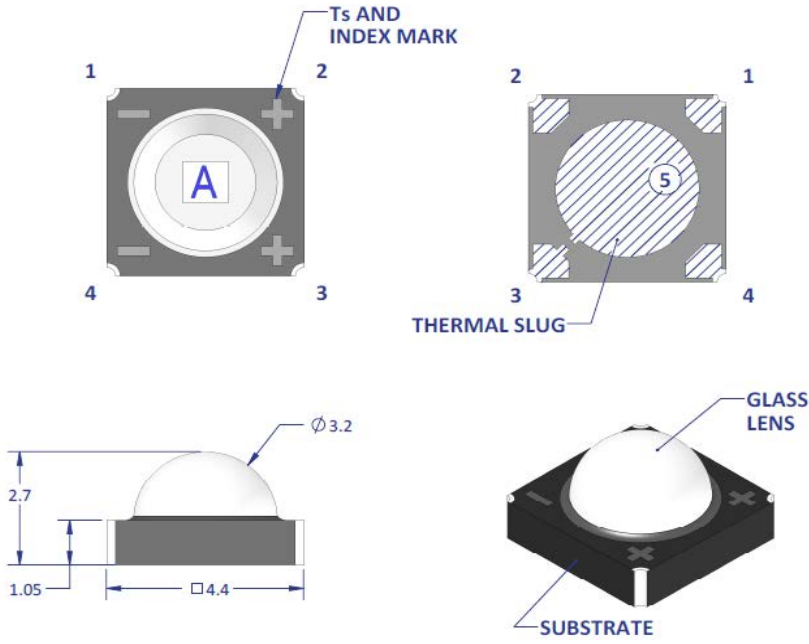
CCN- Customer Change Notification

PRODUCT CHANGE NOTICE	
AFFECTED PART NUMBER(S): LZ1-00UV00 LZ1-00UB00 LZ1-00DB00 All custom part numbers (LQ) based on the above products	CCN No. <p style="text-align: center;">54-2 (Replacing CCN No. 54, issued on March 1st, 2018)</p>
PART DESCRIPTION: LZ1 UV 365nm LED Emitter LZ1 Violet LED Emitter LZ1 Dental Blue LED Emitter All custom part numbers based on the above products	DATE: <p style="text-align: center;">March 26, 2018</p>
LEVEL OF CHANGE: <p style="text-align: center;"> <input type="checkbox"/> Level 1, Customer Approval <input checked="" type="checkbox"/> Level II, Customer Information </p>	
PRODUCT ATTRIBUTE AFFECTED: <p style="text-align: center;"> <input type="checkbox"/> Material Change <input checked="" type="checkbox"/> Data Sheet Change <input type="checkbox"/> Design Change <input type="checkbox"/> Package Change <input type="checkbox"/> Process Change <input checked="" type="checkbox"/> Packing/Shipping <input type="checkbox"/> OTHER; Explain: </p>	
DESCRIPTION OF CHANGE: 1. Substrate marking change from -,+,+,- for Pin 1, 2, 3, 4 respectively to a single square on Pin 2 only. Emitters are form, fit and function compatible with previous version. Refer to PRODUCT MARKING section on page 2 for details. 2. Emitter position in the Tape and Reel will be rotated 90 degrees counter clockwise from the current configuration. Refer to PACKING CONFIGURATION section on page 3 for details. 3. The emitter part numbers' last 4 digits will be changed from -x0xx to -x1xx to differentiate the two versions.	
REASON FOR CHANGE: 1. Substrate marking is changed to accommodate future products with new generation dies which have different electrical polarity. 2. Emitter position in Tape and Reel is changed for packing procedure consistency with other emitters in the LZ1 family.	
DATE OF SAMPLES AVAILABLE: <p style="text-align: center;">N/A</p>	DATE QUALIFICATION COMPLETED: <p style="text-align: center;">N/A</p>
LAST ORDER DATE FOR OLD PART: <p style="text-align: center;">N/A</p>	DATE PRODUCTION SHIPMENT COMMENCES: Parts shipped on March 26th, 2018 onwards will be with the new substrate marking, new packing configuration, and labeled with the new part number.
CONTACT PERSON: Erin Tjahjono Product Manager 651 River Oaks Parkway San Jose, CA 95134 e.tjahjono@osram.com	

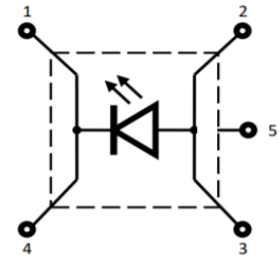
PRODUCT MARKING

Mechanical Dimension and Electrical Configuration

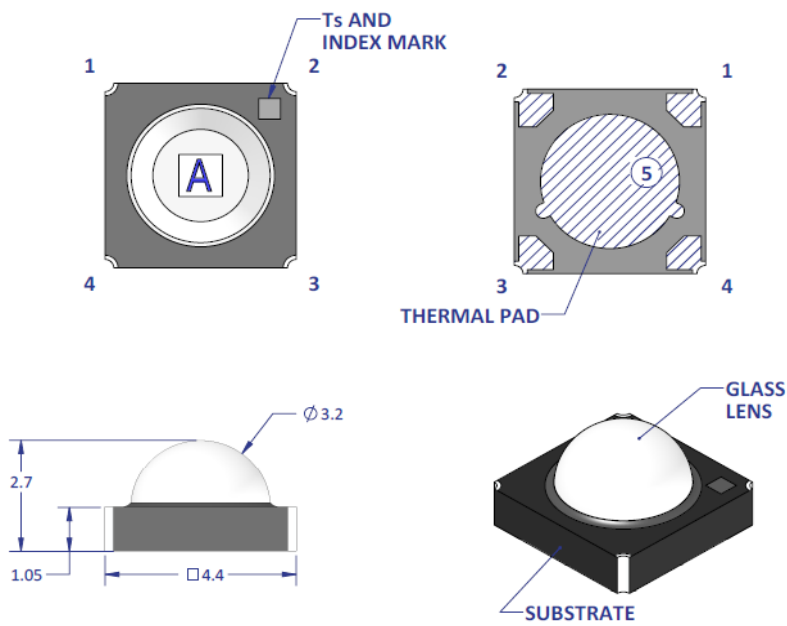
Current product marking



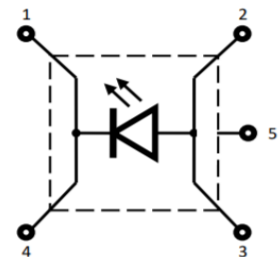
Pin Out	
Pad	Function
1	Cathode
2	Anode
3	Anode
4	Cathode
5 ^[2]	Thermal



New product marking

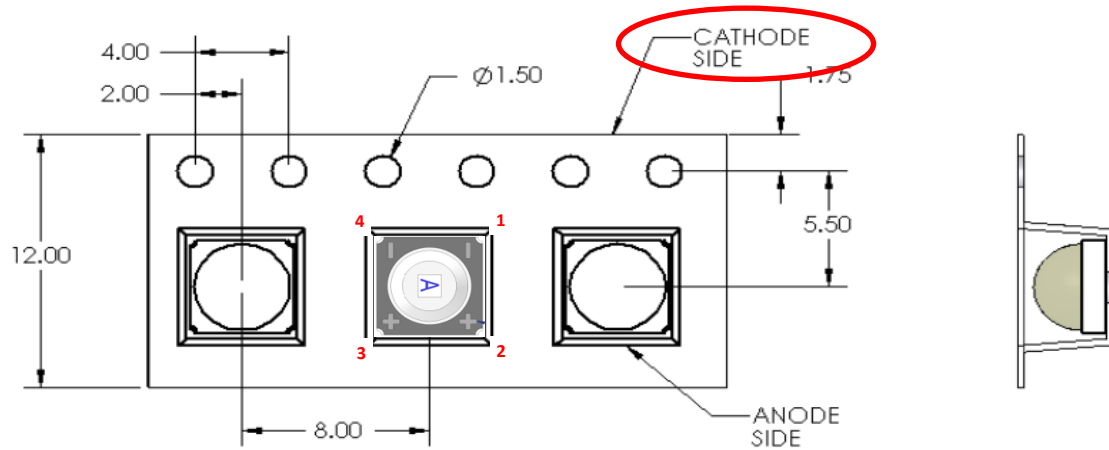


Pin Out	
Pad	Function
1	Cathode
2	Anode
3	Anode
4	Cathode
5 ^[2]	Thermal

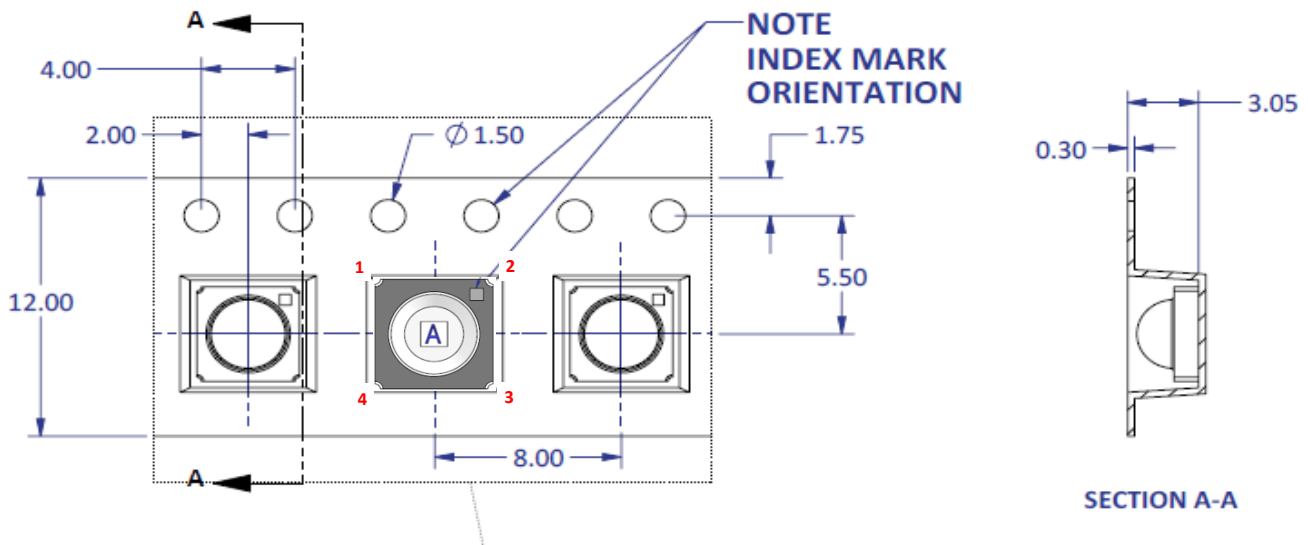


PACKING CONFIGURATION

Current packing configuration



New packing configuration



Note:

In the New Packing Configuration, the emitter is rotated 90 degrees counter clockwise compared to the Current Packing Configuration. As a result of this change, customer will have to update assembly procedure to ensure the emitters will be placed on the PCB correctly.