

Light is OSRAM

XBO[®] C (Ceramic) Xenon Lamps



Key Features & Benefits

- High brightness
- Small arc gap gives a precise focus onto small areas
- Provides daylight color temperature with extremely high CRI
- Highly efficient light source due to pre-aligned internal reflector
- Compact and rugged design offers safe operation and replacement
- No color shift over lamp life

OSRAM XBO C is a family of ceramic xenon short-arc light sources designed with an internal reflector that provides an intense point source and high brightness. With high color quality, these lamps offer the perfect light for color differentiation and clarity. XBO C lamps are well suited for use in scientific, medical and fiber-optic applications.

Application Information

Applications

- Boroscopy
- Endoscopy
- Laboratory
- Lightguide
- Minimal invasive surgery
- Solar simulation
- Surgical headlights

Application Notes

These lamps may emit ultraviolet (UV) radiation and operate at high pressure. Before use, read the complete warnings accompanying the product.

Disposal

When disposing of spent lamps, always consult federal, state, local and provincial hazardous waste disposal rules and regulations to ensure proper disposal.



Ordering Information

Item Number	Ordering Abbreviation	Nominal Watts (W)	Current (A)	Volts (V)	Average Rated Life (hrs) ^{1,2}	Lumens (lm)	UV Output (W)	IR Output (W)	Color Temperature	Reflector	Operating Position	Figure No.
55202	XBO C 175W/BF	175	14	12.5	1000	2200	<2	14	5800K	Parabolic	Horizontal	1
55203	XBO C 300W/BF	300	21	14	1000	5000	3	29	5800K	Parabolic	Horizontal	1
55204	XBO C 300W/MAJ1817	300	21	14	1000	5000	N/A	N/A	5800K	Parabolic	Horizontal	1
55207	XBO C 300W/EPKi	300	22	13	500	7400	N/A	N/A	5900K	Ellipsoidal	Horizontal	2
55205	XBO C 300W/X7000 ³	300	22	14	1000	7450	4	36	5900K	Ellipsoidal	Horizontal	2
55206	XBO C 300W/X8000 ⁴	300	22	14	1000	7450	4	36	5900K	Ellipsoidal	Horizontal	2

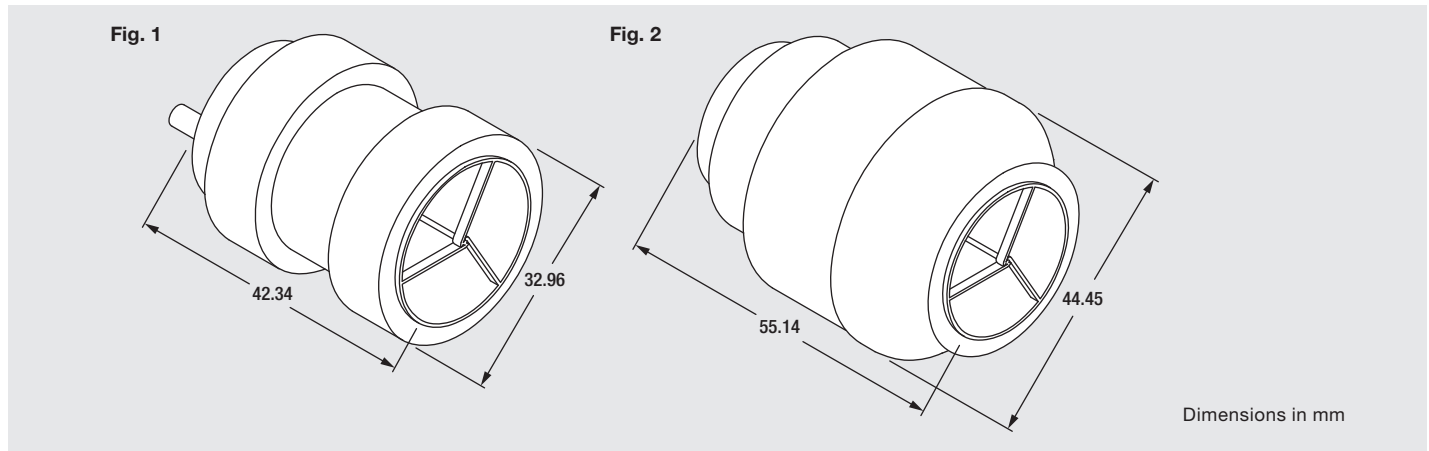
1 Up to 50% of initial output.

2 Warranty is up to 50% of the Average Rated Life.

3 Exclusive only to Luxtel assembly CL1571/X7000.

4 Exclusive only to Luxtel assembly CL1567/X8000.

Dimensions



Medical OEM Equipment to Lamp Cross Reference

Medical OEM Equipment Manufacturer	Model Number /Description	Ordering Abbreviation	Item Number
Fujinon/Hoya	EPK-i	XBO C 300W/EPKi	55207
Luxtec/Integra	9175	XBO C 175W/BF	55202
Olympus	CLV-190/CLV-290 (MAJ-1817)	XBO C 300W/MAJ1817	55204
Olympus	CLVS, CV-1, CLV-10, CLV-F10, CLV-20, CLV-S20, CLV-U20, CLV-S30, CLV-S40, CLV-U40, CLV-U60, CLV-160, CLV-260, CLV-260SL, ILX6300	XBO C 300W/BF	55203
Olympus	XLS(175W) Y-1176 or CLV-A(175W)	XBO C 175W/BF	55202
Pentax	EPK-i	XBO C 300W/EPKi	55207
Smith & Nephew	300 XL	XBO C 300W/BF	55203
Storz (175 Watt Lamp)	20132026	XBO C 175W/BF	55202
Storz (175 Watt Systems)	615 B or C, 20131520, 20132120	XBO C 175W/BF	55202
Storz (300 Watt Lamp)	20133028	XBO C 300W/BF	55203
Storz (300 Watt Systems)	487, 610, 611, 630, NOVA 20134001, D-Light C 20133620, 20133120, 20133020, 20134020	XBO C 300W/BF	55203
Stryker	X6000	XBO C 300W/BF	55203
Stryker	X7000 OSRAM lamp exclusively used in Luxtel assembly CL1571/X7000	XBO C 300W/X7000	55205
Stryker	X8000 OSRAM lamp exclusively used in Luxtel assembly CL1567/X8000	XBO C 300W/X8000	55206
Sunoptic Surgical	SolarMaxx 180, Titan 180	XBO C 175W/BF	55202
Richard Wolf	300W Xenon, 5131, 5151XE	XBO C 300W/BF	55203
Zeiss	Superlux 175 (with timer)	XBO C 175W/BF	55202
Zeiss	Superlux 300, Superlux 301 (with timer)	XBO C 300W/BF	55203

A complete cross reference list may be found on our website www.osram.us/PIA under Products/Discharge/XBO≤450W.

OSRAM SYLVANIA Inc.

OSRAM Americas:

200 Ballardvale Street
Wilmington, MA 01887 USA
877-636-5267
www.osram.us

OSRAM SYLVANIA Inc.

Specialty Lighting:

129 Portsmouth Avenue
Exeter, NH 03833 USA
888-677-2627
www.osram.us

OSRAM and XBO are registered trademarks of OSRAM GmbH.
All other trademarks are those of their respective owners.
Specifications subject to change without notice.

© 2018 OSRAM SYLVANIA Inc.

OSRAM