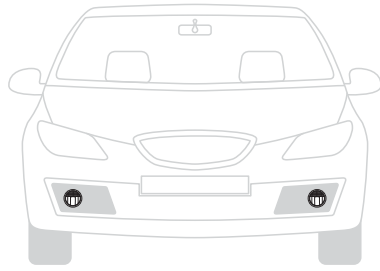
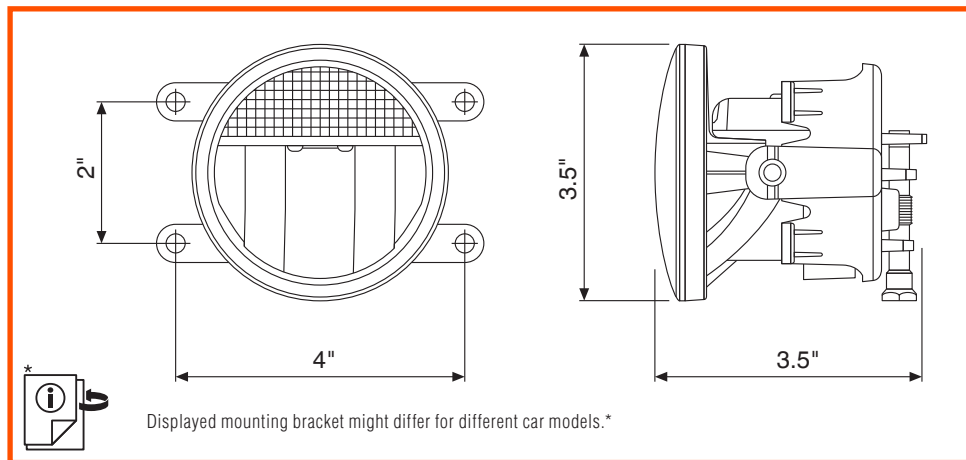
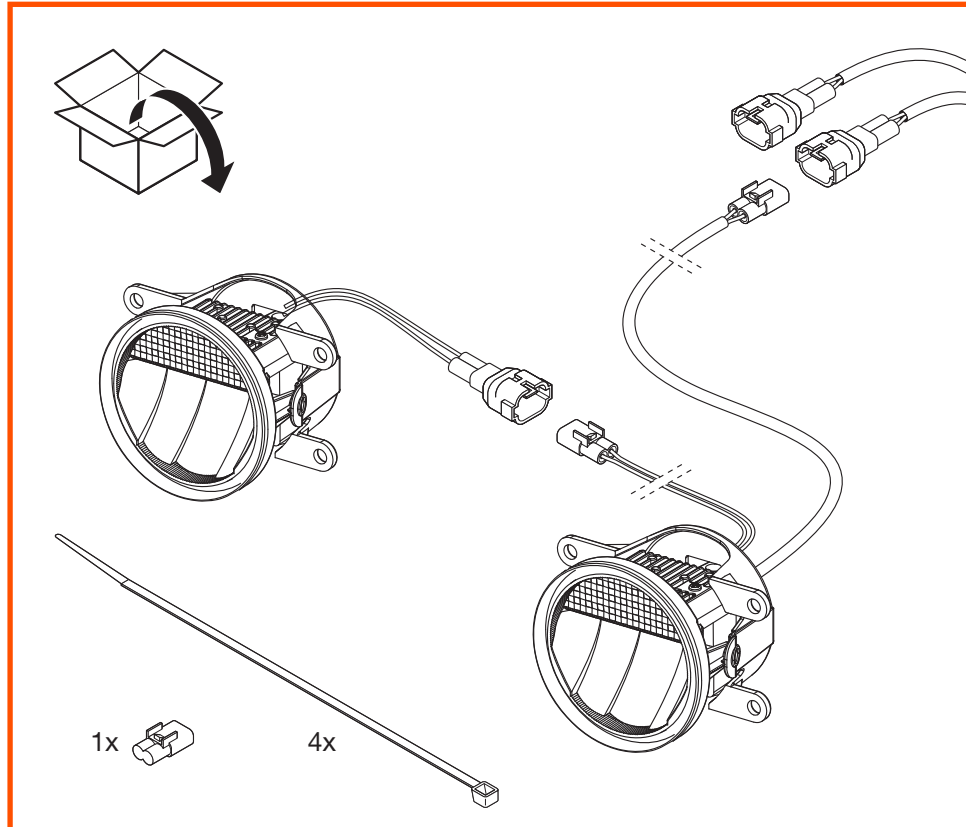


# 4" LED FOG



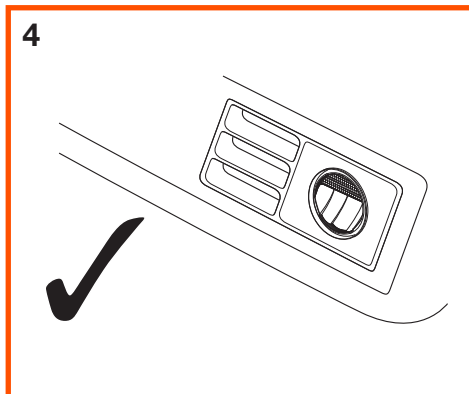
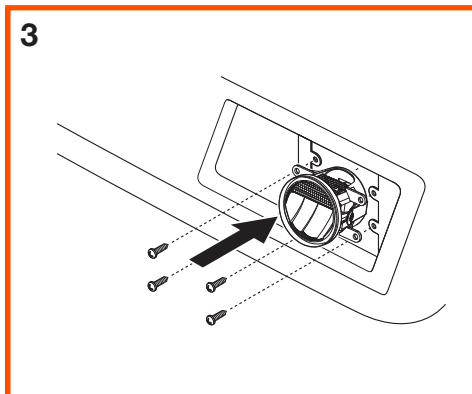
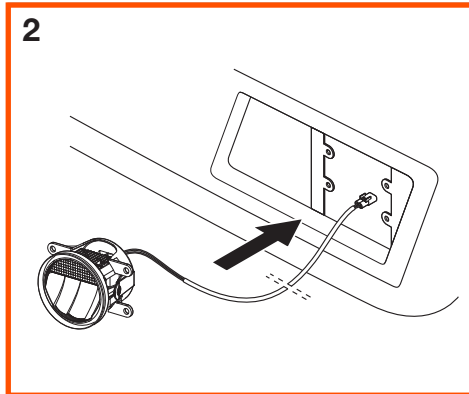
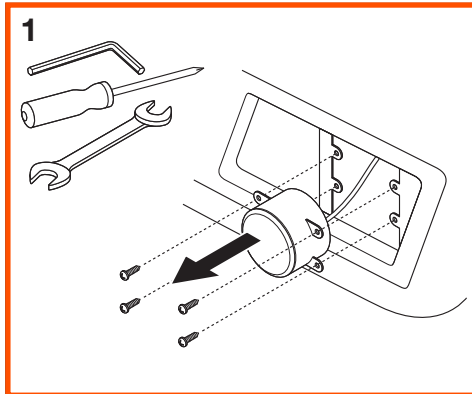
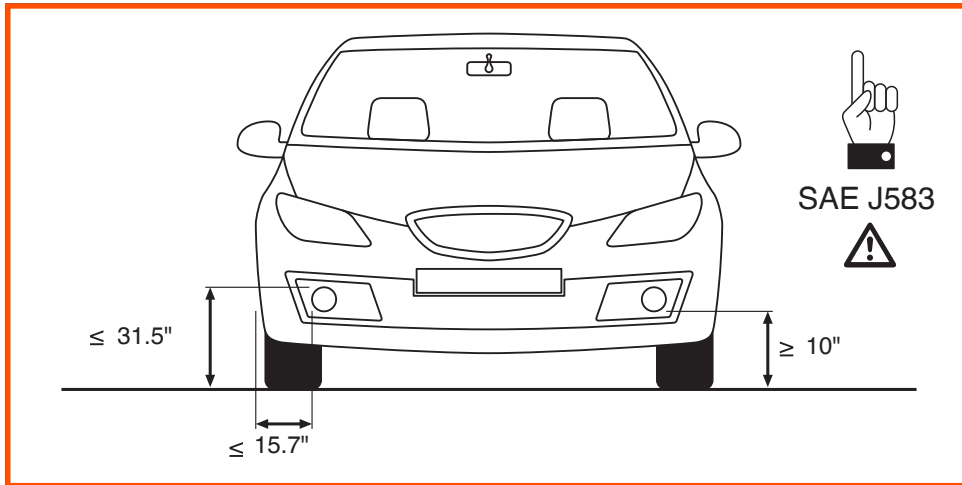
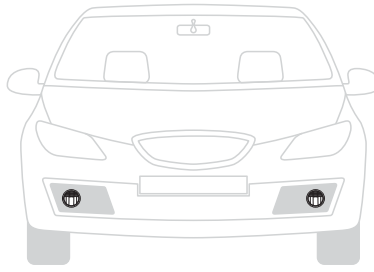
## INSTALLATION INSTRUCTIONS

Installation video, tips and more detailed instructions can be viewed at [www.sylvania-automotive.com/ZEVO](http://www.sylvania-automotive.com/ZEVO)



Not suitable for vehicles with standard turn indicators integrated in the fog-lamp.  
\*Displayed mounting bracket might differ for different car models.  
If you have any questions, or if you have any technical problems, please contact Sylvania Automotive Lighting customer service at 1-800-729-3777

# 4" LED FOG



# 4" LED FOG

