

Light is OSRAM

OSRAM

## FLEXESSORIES

### SLIMCONNECT SYSTEM 08 – G2

TECHNICAL DATASHEET

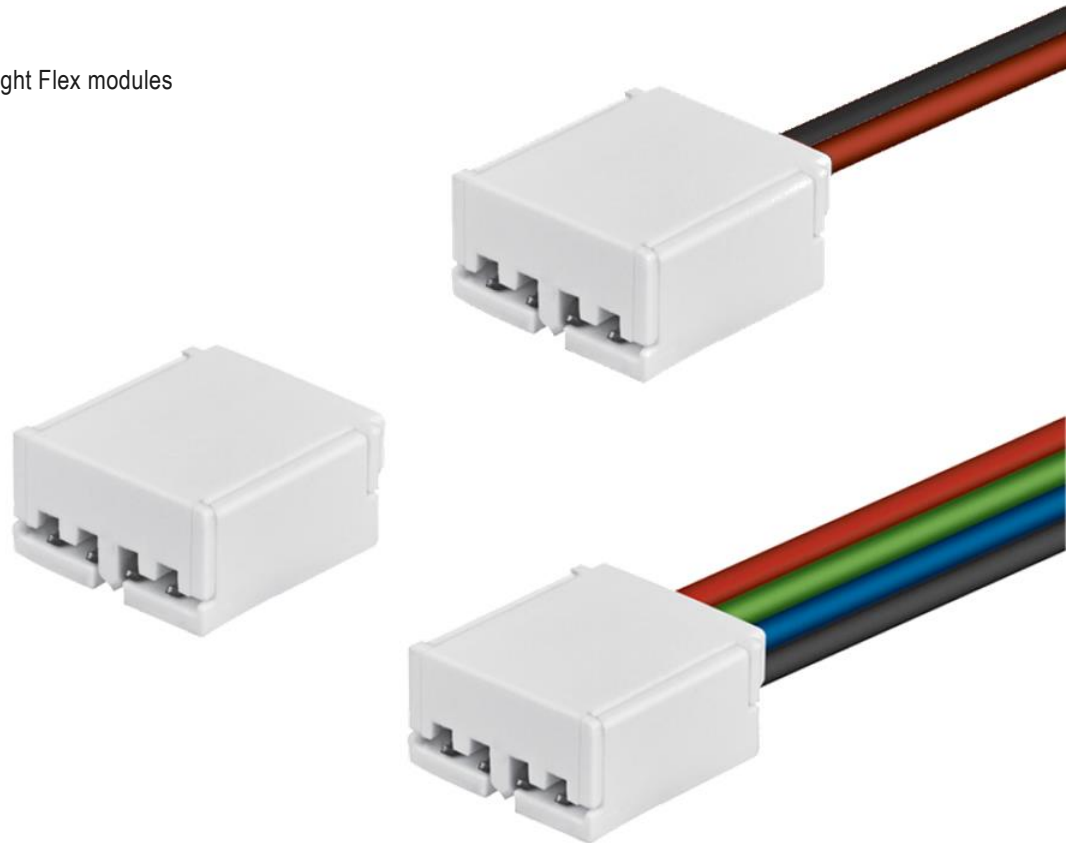
Enjoy full flexibility in lighting design. Connect easily modules without any need of tools. The SLIMCONNECT SYSTEM is made for minimalistic integration into aluminum profiles and luminaires. Yet offering a strong retention force to the module and extra mounting support through the additional adhesive back on the connectors' backside.

#### Key Features & Benefits

- Assembly without tools
- Robust connection
- Fits into SLIM TRACK
- Adhesive tape on the back to support mounting
- Keep LED pitch at board to board connection
- Extension wires for connection across corners

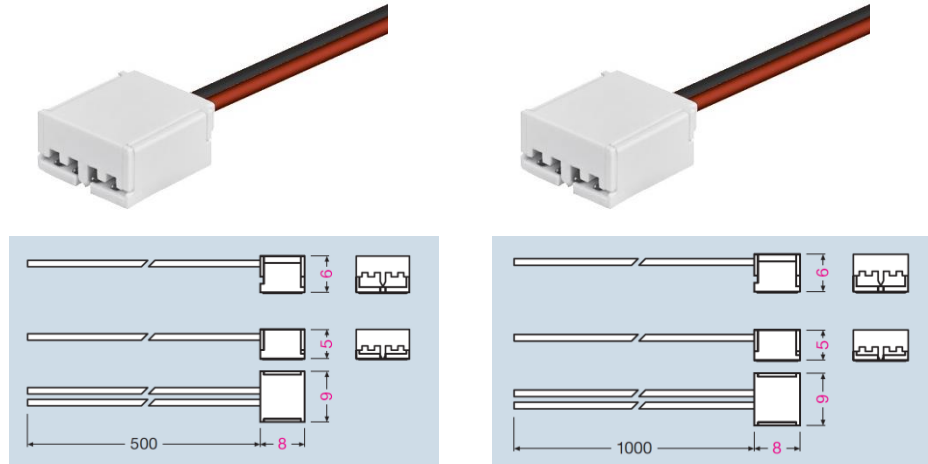
#### Possible Applications

- All applications applying to LINEARlight Flex modules



## Power feed for single channel / color

Power feeders to connect modules with single white and single monochromatic light  
 Use with LF4000, LF3000, LF2000, LF1200, LF800S, LF06A, LF05A2, LF06E, LF05E



<b>Description</b>	2pin power feeding connector with 50cm cable	2pin power feeding connector with 1m cable
<b>Product</b>	FX-SC08-G2-CT2PF-0500	FX-SC08-G2-CT2PF-1000
<b>Cable length</b>	500 mm	1,000 mm
<b>Rated insulation voltage</b>	< 25 V	< 25 V
<b>Rated current</b>	5 A	5 A
<b>Connector closing force</b>	22 N	22 N
<b>PCB retention force</b>	≥ 15 N	≥ 15 N
<b>Contact resistance</b>	≤ 30 mΩ	≤ 30 mΩ
<b>Conductor cross section AWG</b>	22	22
<b>Ambient temperature (storage/transport)</b>	-40 – 85 °C	-40 – 85 °C
<b>Ambient temperature (operation) LLT - ULT</b>	-30 - 70 °C	-30 - 70 °C
<b>Connector part: Inflammability class acc. UL94</b>	V0	V0
<b>Connector part: Insulating material</b>	PBT GF	PBT GF
<b>Cable cross section AWG</b>	22 AWM	22 AWM

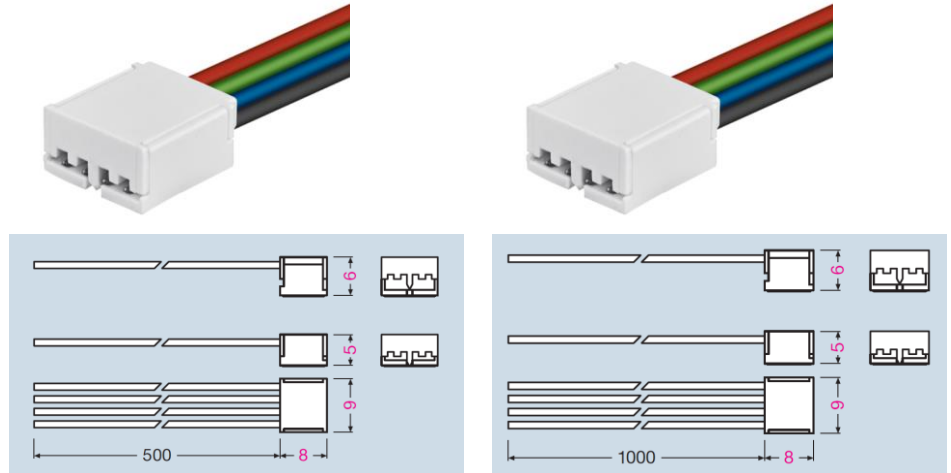
### Ordering details

<b>EAN per single piece</b>	4052899464735	4052899464766
<b>Quantity</b>	1	1
<b>Comment</b>	only bags orderable	only bags orderable
<b>EAN per bag/box</b>	4052899464742	4052899464773
<b>Quantity</b>	20	20
<b>EAN per shipping box</b>	4052899464759	4052899464780
<b>Quantity</b>	14 x 20 (=280)	14 x 20 (=280)

Due to the special conditions of manufacturing processes of LED, the typical data of technical parameters can only reflect statistical figures and do not necessarily correspond to the actual parameters of each single product which could differ from the typical data.  
 Subject to change without notice. Errors and omissions excepted.  
 Version: 2016-10-21

## Power feed for 3 channels / colors

Power feeders to connect RGB modules  
Use with LF5CA2



<b>Description</b>	4pin power feeding connector with 50cm cable	4pin power feeding connector with 1m cable
<b>Product</b>	FX-SC08-G2-CT4PF-0500	FX-SC08-G2-CT4PF-1000
<b>Cable length</b>	500 mm	1,000 mm
<b>Rated insulation voltage</b>	< 25 V	< 25 V
<b>Rated current</b>	5 A	5 A
<b>Connector closing force</b>	22 N	22 N
<b>PCB retention force</b>	≥ 15 N	≥ 15 N
<b>Contact resistance</b>	≤ 30 mΩ	≤ 30 mΩ
<b>Conductor cross section AWG</b>	22	22
<b>Ambient temperature (storage/transport)</b>	-40 – 85 °C	-40 – 85 °C
<b>Ambient temperature (operation) LLT - ULT</b>	-30 - 70 °C	-30 - 70 °C
<b>Connector part: Inflammability class acc. UL94</b>	V0	V0
<b>Connector part: Insulating material</b>	PBT GF	PBT GF
<b>Cable cross section AWG</b>	22 AWM	22 AWM

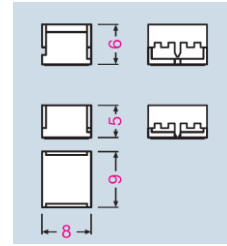
### Ordering details

<b>EAN per single piece</b>	4052899464797	4052899464827
<b>Quantity</b>	1	1
<b>Comment</b>	only bags orderable	only bags orderable
<b>EAN per bag/box</b>	4052899464803	4052899464834
<b>Quantity</b>	20	20
<b>EAN per shipping box</b>	4052899464810	4052899464841
<b>Quantity</b>	14 x 20 (=280)	14 x 20 (=280)

## Jumper for 1-3 channels / colors

Interconnect two modules

Use with LF4000, LF3000, LF2000, LF1200, LF800S, LF06A, LF05A2, LF06E, LF05E, LF5CA2



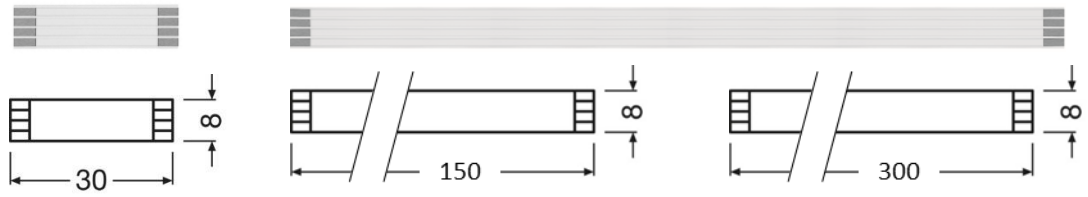
<b>Description</b>	Board to board connector between modules for modules with 1, 2 or 3 channels
<b>Product</b>	FX-SC08-G2-CT4PJ
<b>Cable length</b>	no cable
<b>Rated insulation voltage</b>	< 25 V
<b>Rated current</b>	5 A
<b>Connector closing force</b>	22 N
<b>PCB retention force</b>	≥ 15 N
<b>Contact resistance</b>	≤ 30 mΩ
<b>Conductor cross section AWG</b>	22
<b>Ambient temperature (storage/transport)</b>	-40 – 85 °C
<b>Ambient temperature (operation) LLT - ULT</b>	-30 - 70 °C
<b>Connector part: Inflammability class acc. UL94</b>	V0
<b>Connector part: Insulating material</b>	PBT GF
<b>Cable cross section AWG</b>	22 AWM

### Ordering details

<b>EAN per single piece</b>	4052899464858
<b>Quantity</b>	1
<b>Comment</b>	only bags orderable
<b>EAN per bag/box</b>	4052899464865
<b>Quantity</b>	25
<b>EAN per shipping box</b>	4052899464872
<b>Quantity</b>	50 x 25 (=1,250)

## Extension Wires

Extension wires allow you installations around corners.  
Use them between two board-to-board connectors.

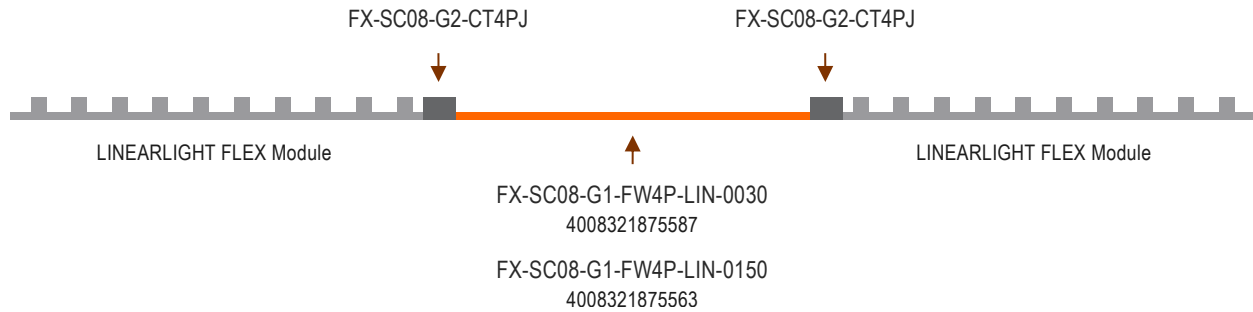


<b>Product</b>	FX-SC08-G1-FW4P-LIN-0030	FX-SC08-G1-FW4P-LIN-0150	FX-SC08-G1-FW4P-LIN-0300
----------------	--------------------------	--------------------------	--------------------------

### Ordering Details

<b>EAN per bag/box</b>	4008321875587	4008321875563	4052899469259
<b>Quantity</b>	100	50	50
<b>EAN per shipping box</b>	4008321875594	4008321875570	4052899469266
<b>Quantity</b>	100 x 100 (=10,000)	100 x 50 (=5,000)	300 x 50 (=15,000)

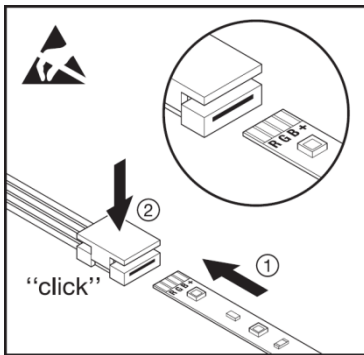
### How to apply the extension wires



## Safety Information

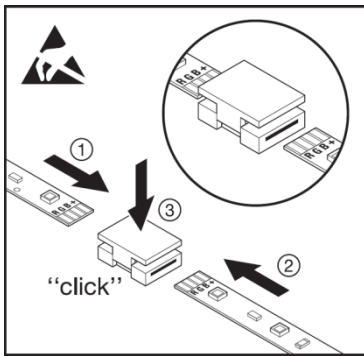
- All components of the SLIMCONNECTsystem FLEX must be assembled to avoid any stress on the wires and/or board connectors. The installer must ensure that there is adequate strain relief between the board connection and the wiring.
- Installation of LED modules (with power supplies) needs to be made with regard to all applicable electrical and safety standards. Only qualified personnel should be allowed to perform installations.
- The connector has no inverse polarity protection. There will be no electrical function if connector is not well positioned or if polarity is inverse. Several modules can be damaged (see the respective module data sheet).
- The maximum operation current may not be exceeded.
- The SLIMCONNECTsystem FLEX is designed for indoor applications only. Any unprotected outdoor use is not allowed.
- A suitable enclosure IP67 is required if the system is to be exposed to humidity and /or dust. Condensation water in the IP67 enclosure is not allowed.

## Assembly Information

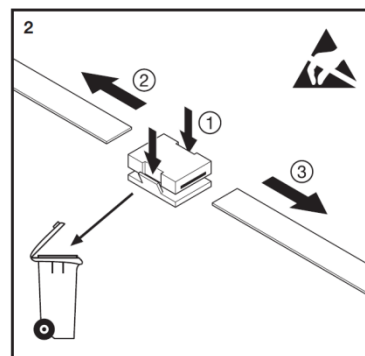
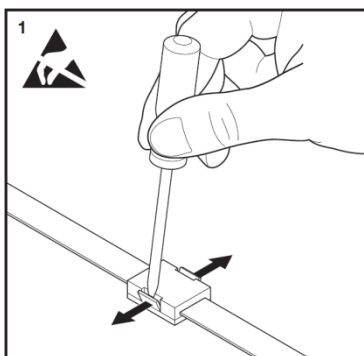


- For electrical connection of the LINEARlight FLEX, both, module and connector must be positioned with the correct side up as shown in the graphic.
- Pay attention to the correct polarity between feeder and module:

- **FX-SC08-G2-CT2PF**  
Black wire = “-” pole / red wire = “+” pole
- **FX-SC08-G2-CT4PF**  
Black wire = “+” pole / Blue Wire = “B”-pad / Green Wire = “G”-pad / Red Wire = “R”-pad
- **FX-SC08-G2-CT4PJ**  
Particular attention is required when using the connector for board to board connection: The ‘+’ pole of the first module has to be connected to the ‘+’ pole of the second module. In case of wrong polarity no light will be emitted and the modules can be damaged



- Then push the module into the connector and press on the connector to fix the connection. Make sure to work on a flat and robust surface.



- In order to maintain adequate electrical contact, the connectors are designed for single use. However, to reuse the connected PCB, a removal is possible but will result in the destruction of the connector.

FLEXESSORIES  
SLIMCONNECT SYSTEM 08 – G2  
TECHNICAL DATASHEET  
2016-10-21

## Related and further information

- OSRAM LED Systems [www.osram.com/led-systems](http://www.osram.com/led-systems)
- OSRAM: FLEXIBLE LED MODULES [www.osram.com/flex](http://www.osram.com/flex)
- OSRAM catalogue <http://catalog.osram.com>
- General information [www.osram.com](http://www.osram.com)

### OSRAM GmbH

Head Office:

Marcel-Breuer-Strasse 6  
80807 Munich, Germany

+49 89 6213-0  
[www.osram.com](http://www.osram.com)

Sales and technical support is given by the local OSRAM subsidiaries.

On the OSRAM website all subsidiaries are listed with complete address and phone numbers.

The OSRAM logo is displayed in a bold, orange, sans-serif font.