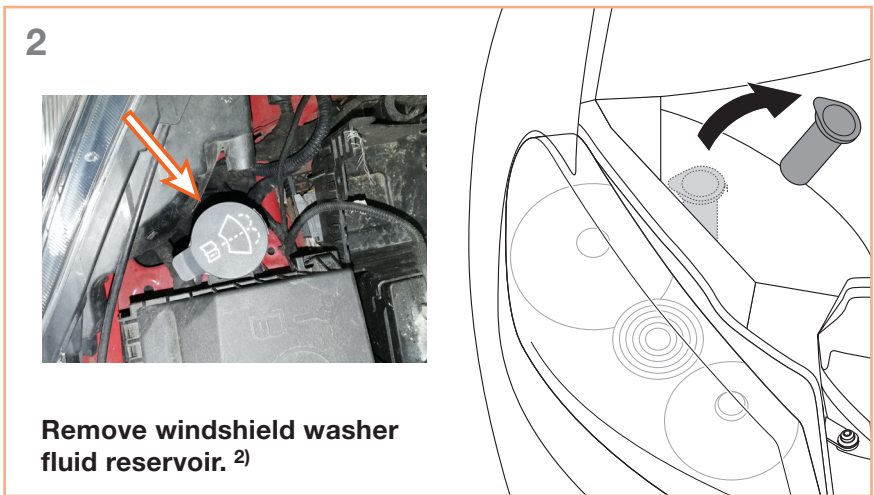
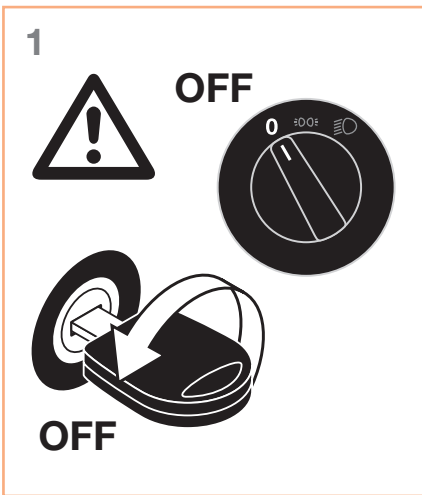
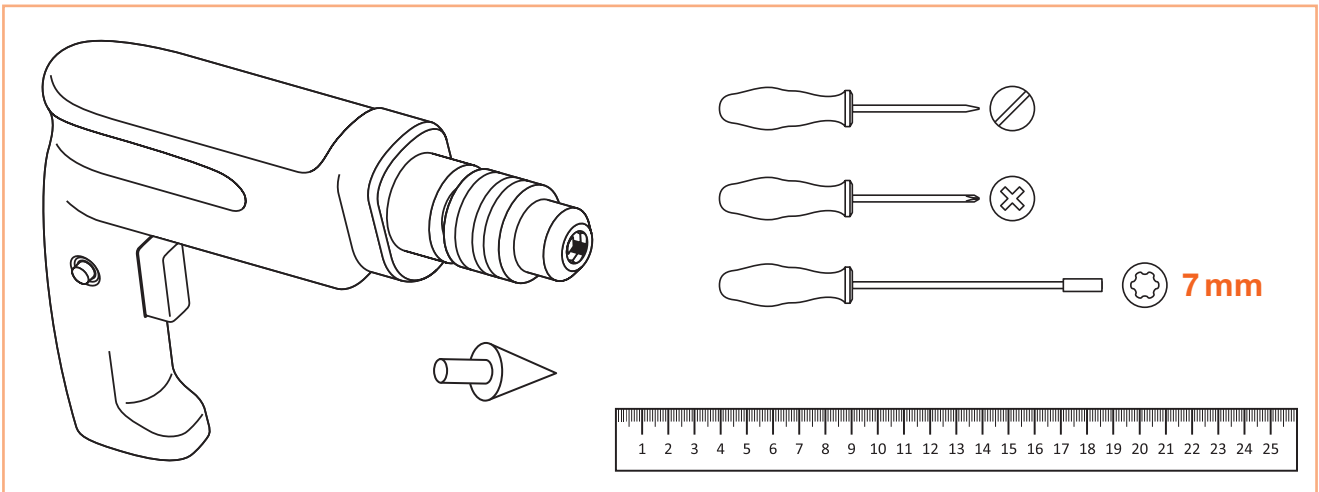
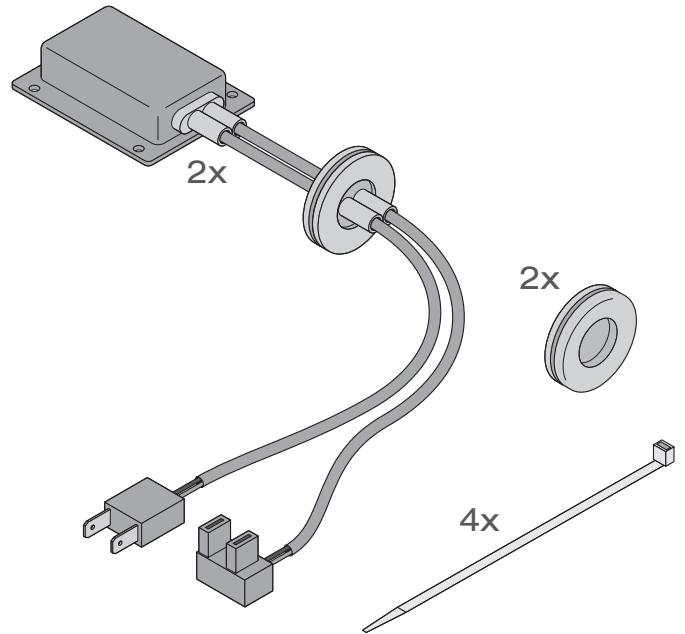
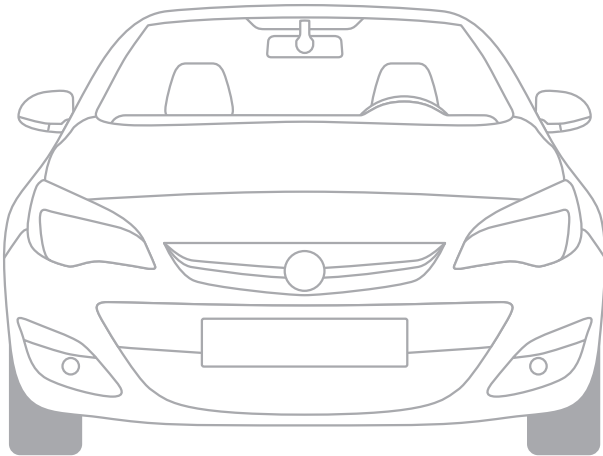


# LEDiving® SMART CANBUS

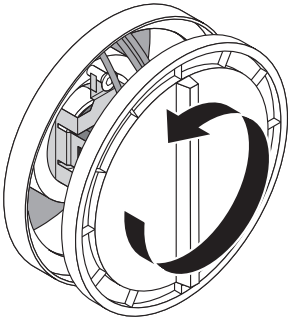


## LEDSC01

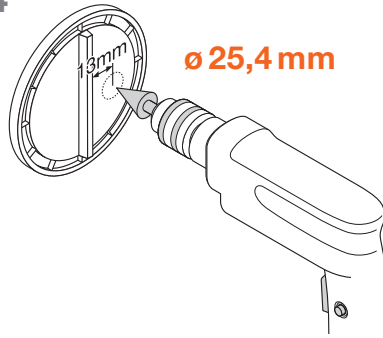
Opel Astra J



3

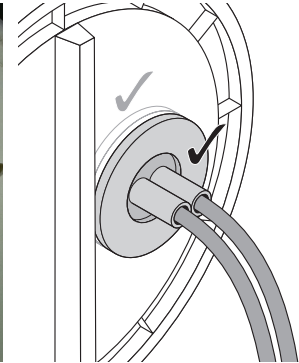
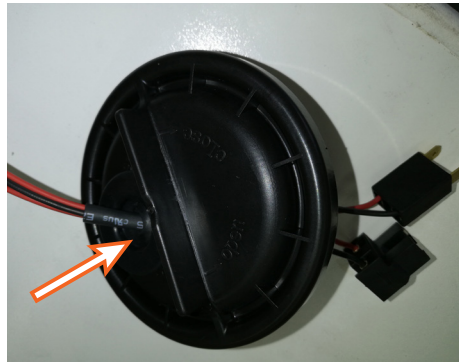
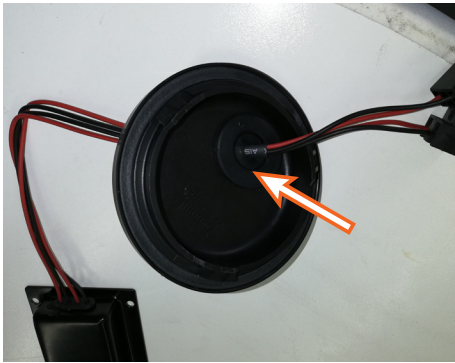


4



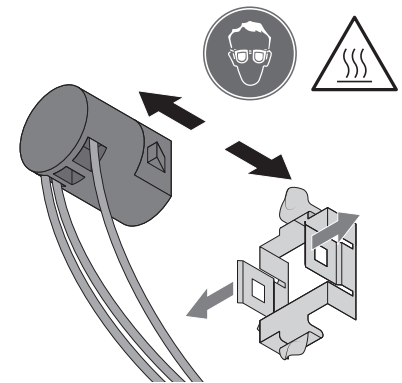
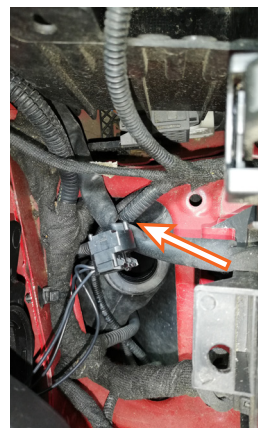
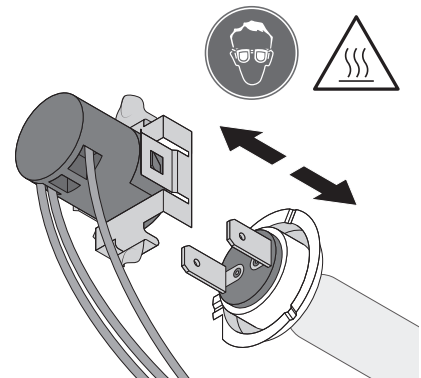
Mark the headlight protective cover where the hole needs to be drilled (13 mm from the center toward the right). Using a step drill, drill the hole needed for the cable to pass through.<sup>3)</sup>

5



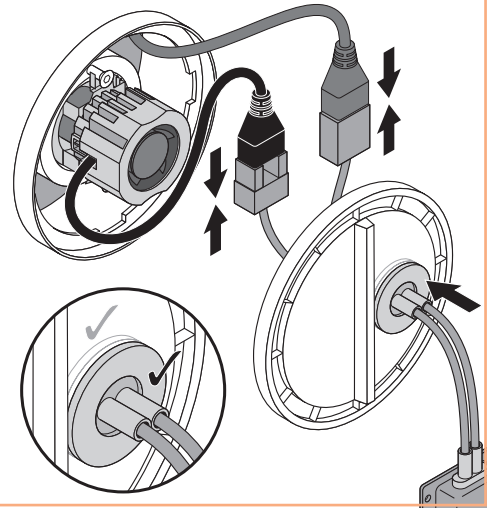
Seal using rubber gasket.<sup>4)</sup>

6

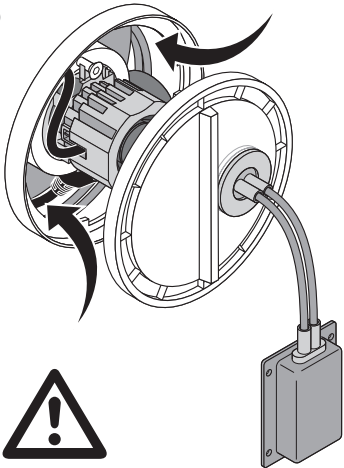


Disconnect the halogen adapter from the plug.<sup>5)</sup>

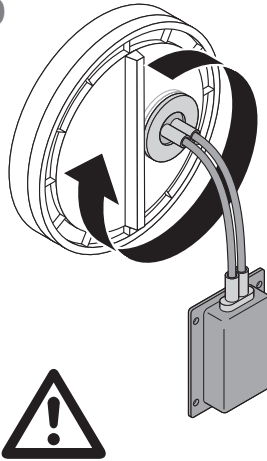
7



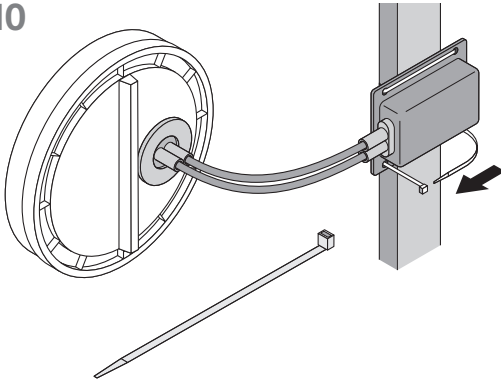
8



9



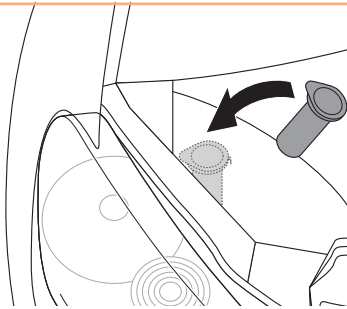
10



Mount the SMART CANBUS (load resistor) to the vehicle's body (metal).  
**Please note:** Pull the cable ties until they are taut.<sup>6)</sup>

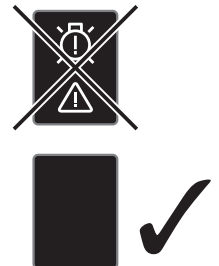
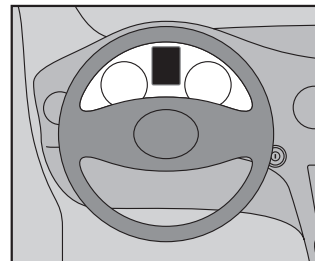
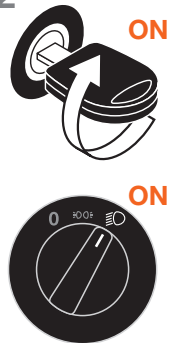


11



Remount the windshield washer fluid reservoir.<sup>7)</sup>

12



For questions regarding maintenance or technical problems, please contact OSRAM customer service via [automotive-service@osram.com](mailto:automotive-service@osram.com).<sup>8)</sup>

