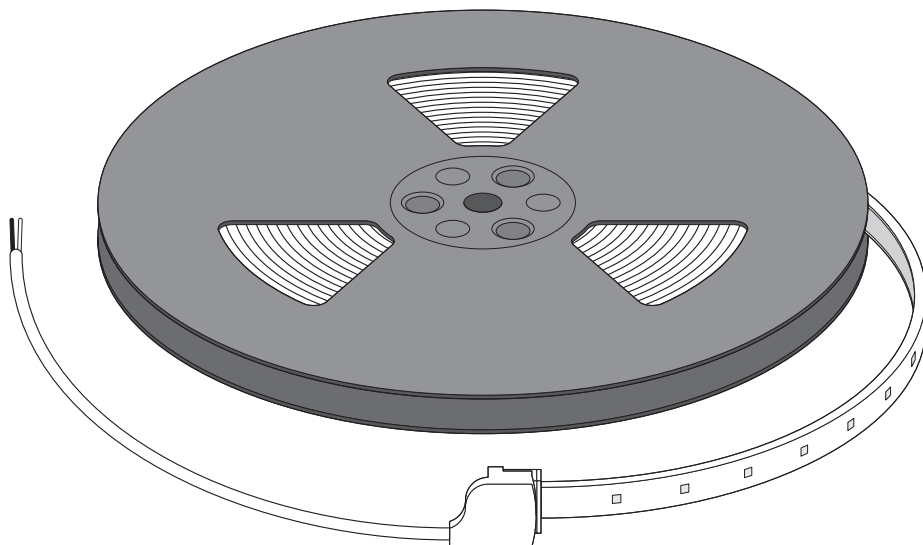


LINEARlight FLEX Protect Uniformity

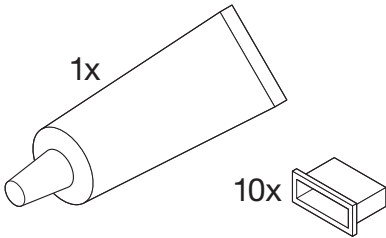
LFP800S

LFP1200S

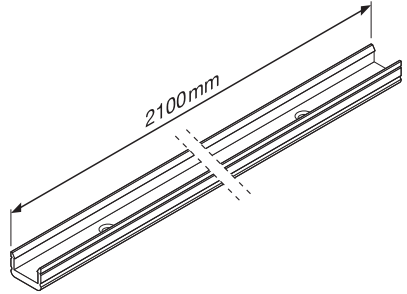
LFP2000S



ENDCAP-IP67 KIT 10PCS
EAN 4062172176552

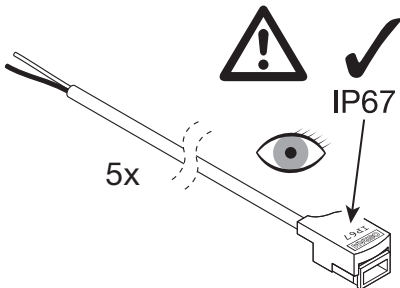


LF-LTS-2100 SLIM Track
EAN 4008321978981

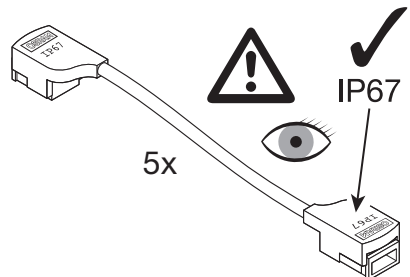


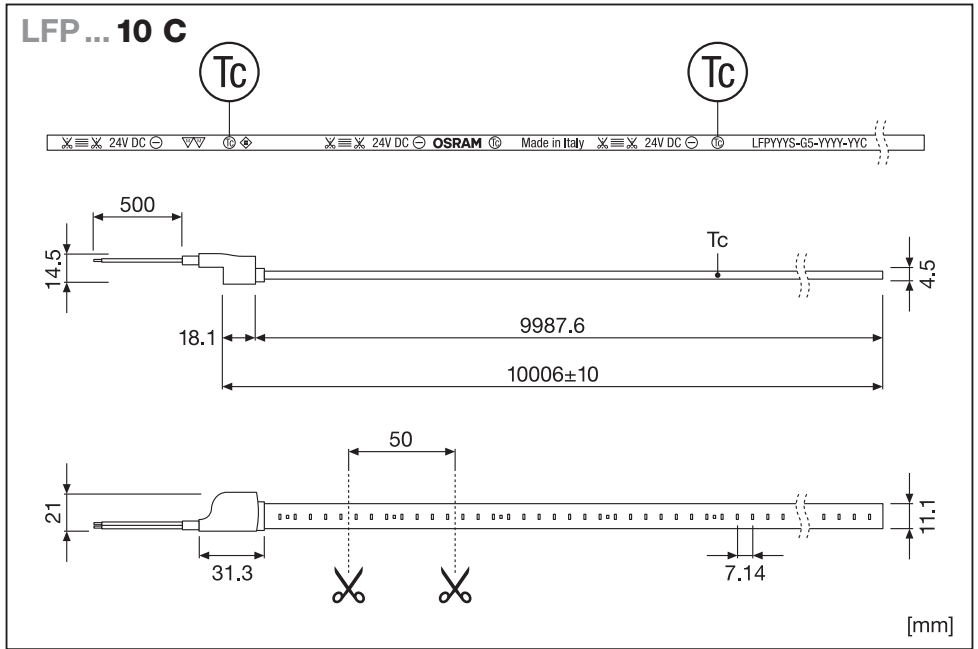
IP67

CONN-FLEX-IP67-2P KIT 5PCS
EAN 4062172176590



JUMPER-FLEX-IP67-2P KIT 5PCS
EAN 4062172176576



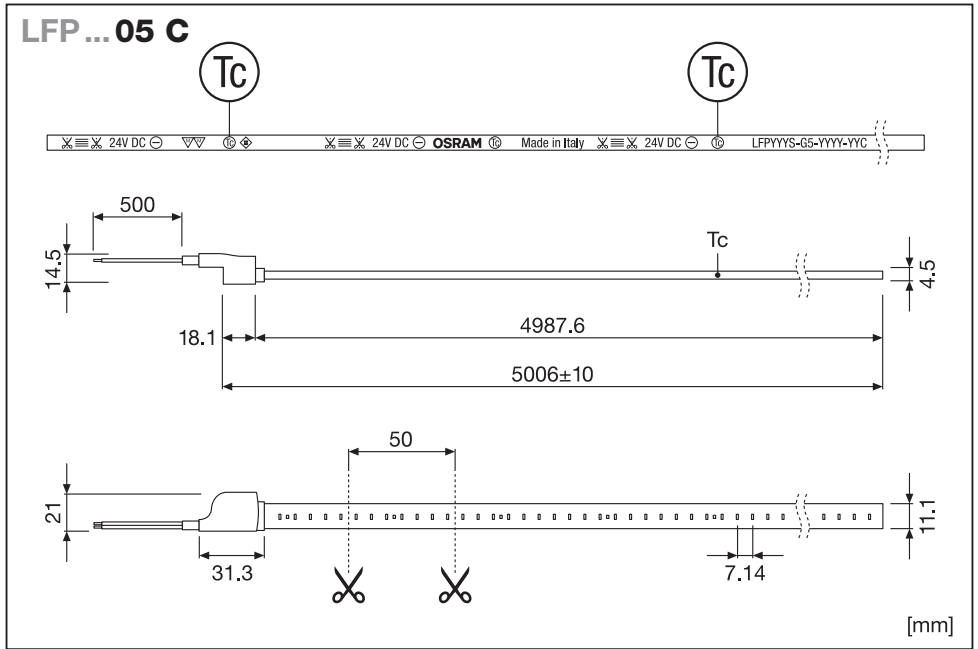


LFP800S ... 10 C	V	W/m	W	A/m	A	\angle	Tc/°C	Ts/°C	\longleftrightarrow
LFP800S-G5-825-10 C	24	8.0	80.0	0.33	3.33	120	-30...80	-40...85	≤ 10000mm
LFP800S-G5-827-10 C	24	7.2	72.0	0.30	3.00	120	-30...80	-40...85	≤ 10000mm
LFP800S-G5-830-10 C	24	6.7	67.0	0.28	2.79	120	-30...80	-40...85	≤ 10000mm
LFP800S-G5-835-10 C	24	6.2	62.0	0.26	2.58	120	-30...80	-40...85	≤ 10000mm
LFP800S-G5-840-10 C	24	6.1	61.0	0.25	2.54	120	-30...80	-40...85	≤ 10000mm
LFP800S-G5-847-10 C	24	6.1	61.0	0.25	2.54	120	-30...80	-40...85	≤ 10000mm
LFP800S-G5-857-10 C	24	6.1	61.0	0.25	2.54	120	-30...80	-40...85	≤ 10000mm
LFP800S-G5-880-10 C	24	6.1	61.0	0.25	2.54	120	-30...80	-40...85	≤ 10000mm
LFP800S-G5-927-10 C	24	9.2	92.0	0.38	3.83	120	-30...80	-40...85	≤ 10000mm
LFP800S-G5-930-10 C	24	8.0	80.0	0.33	3.33	120	-30...80	-40...85	≤ 10000mm
LFP800S-G5-935-10 C	24	7.5	75.0	0.31	3.13	120	-30...80	-40...85	≤ 10000mm

LINEARlight FLEX Protect Uniformity

LFP800S ... <u>10 C</u>	V	W/m	W	A/m	A	∠	Tc/°C	Ts/°C	↔
LFP800S-G5-940-10 C	24	7.5	75.0	0.31	3.13	120	-30...80	-40...85	≤ 10000mm
LFP800S-G5-947-10 C	24	7.5	75.0	0.31	3.13	120	-30...80	-40...85	≤ 10000mm
LFP800S-G5-957-10 C	24	7.0	70.0	0.29	2.92	120	-30...80	-40...85	≤ 10000mm
LFP800S-G5-980-10 C	24	7.0	70.0	0.29	2.92	120	-30...80	-40...85	≤ 10000mm
LFP800S-G5-927R-10 C	24	9.5	95.0	0.40	3.96	120	-30...80	-40...85	≤ 10000mm
LFP800S-G5-930R-10 C	24	8.3	83.0	0.35	3.46	120	-30...80	-40...85	≤ 10000mm
LFP800S-G5-935R-10 C	24	8.3	83.0	0.35	3.46	120	-30...80	-40...85	≤ 10000mm
LFP800S-G5-940R-10 C	24	7.3	73.0	0.30	3.04	120	-30...80	-40...85	≤ 10000mm

LFP1200S ... <u>10 C</u>	V	W/m	W	A/m	A	∠	Tc/°C	Ts/°C	↔
LFP1200S-G5-825-10 C	24	11.6	116.0	0.48	4.83	120	-30...80	-40...85	≤ 10000mm
LFP1200S-G5-827-10 C	24	10.6	106.0	0.44	4.42	120	-30...80	-40...85	≤ 10000mm
LFP1200S-G5-830-10 C	24	9.8	98.0	0.41	4.08	120	-30...80	-40...85	≤ 10000mm
LFP1200S-G5-835-10 C	24	9.6	96.0	0.40	4.00	120	-30...80	-40...85	≤ 10000mm
LFP1200S-G5-840-10 C	24	9.4	94.0	0.39	3.92	120	-30...80	-40...85	≤ 10000mm
LFP1200S-G5-847-10 C	24	9.4	94.0	0.39	3.92	120	-30...80	-40...85	≤ 10000mm
LFP1200S-G5-857-10 C	24	9.4	94.0	0.39	3.92	120	-30...80	-40...85	≤ 10000mm
LFP1200S-G5-880-10 C	24	9.4	94.0	0.39	3.92	120	-30...80	-40...85	≤ 10000mm
LFP1200S-G5-927-10 C	24	11.6	116.0	0.48	4.83	120	-30...80	-40...85	≤ 10000mm
LFP1200S-G5-930-10 C	24	11.6	116.0	0.48	4.83	120	-30...80	-40...85	≤ 10000mm
LFP1200S-G5-935-10 C	24	10.9	109.0	0.45	4.54	120	-30...80	-40...85	≤ 10000mm
LFP1200S-G5-940-10 C	24	10.9	109.0	0.45	4.54	120	-30...80	-40...85	≤ 10000mm
LFP1200S-G5-947-10 C	24	10.9	109.0	0.45	4.54	120	-30...80	-40...85	≤ 10000mm
LFP1200S-G5-957-10 C	24	10.0	100.0	0.42	4.17	120	-30...80	-40...85	≤ 10000mm
LFP1200S-G5-980-10 C	24	10.0	100.0	0.42	4.17	120	-30...80	-40...85	≤ 10000mm

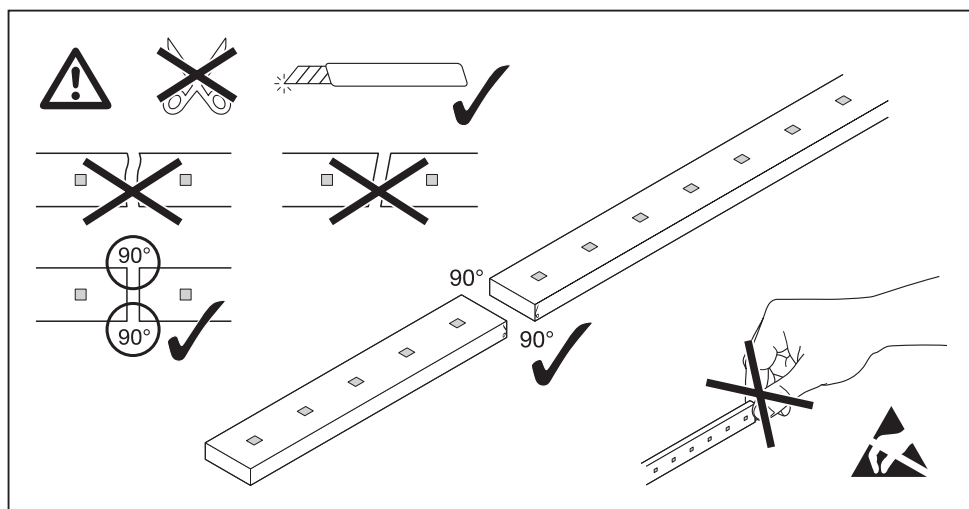


LFP1200S ... 05 C	V	W/m	W	A/m	A	\angle	T_c/°C	T_s/°C	\longleftrightarrow
LFP1200S-G5-927R-05 C	24	14.0	70.0	0.58	2.92	120	-30...80	-40...85	≤ 5000mm
LFP1200S-G5-930R-05 C	24	12.0	60.0	0.50	2.50	120	-30...80	-40...85	≤ 5000mm
LFP1200S-G5-935R-05 C	24	12.0	60.0	0.50	2.50	120	-30...80	-40...85	≤ 5000mm
LFP1200S-G5-940R-05 C	24	10.6	53.0	0.44	2.21	120	-30...80	-40...85	≤ 5000mm

LFP2000S ... 05 C	V	W/m	W	A/m	A	\angle	T_c/°C	T_s/°C	\longleftrightarrow
LFP2000S-G5-825-05 C	24	19.6	98.0	0.82	4.08	120	-30...80	-40...85	≤ 5000mm
LFP2000S-G5-827-05 C	24	18.1	90.5	0.75	3.77	120	-30...80	-40...85	≤ 5000mm
LFP2000S-G5-830-05 C	24	17.3	86.5	0.72	3.60	120	-30...80	-40...85	≤ 5000mm
LFP2000S-G5-835-05 C	24	16.0	80.0	0.67	3.33	120	-30...80	-40...85	≤ 5000mm

LINEARlight FLEX Protect Uniformity

LFP800S ... 10 C	V	W/m	W	A/m	A	∠	Tc/°C	Ts/°C	↔
LFP2000S-G5-840-05 C	24	15.2	76.0	0.63	3.17	120	-30...80	-40...85	≤ 5000mm
LFP2000S-G5-847-05 C	24	15.2	76.0	0.63	3.17	120	-30...80	-40...85	≤ 5000mm
LFP2000S-G5-857-05 C	24	15.2	76.0	0.63	3.17	120	-30...80	-40...85	≤ 5000mm
LFP2000S-G5-880-05 C	24	15.2	76.0	0.63	3.17	120	-30...80	-40...85	≤ 5000mm
LFP2000S-G5-927-05 C	24	21.0	105.0	0.88	4.38	120	-30...80	-40...85	≤ 5000mm
LFP2000S-G5-930-05 C	24	19.6	98.0	0.82	4.08	120	-30...80	-40...85	≤ 5000mm
LFP2000S-G5-935-05 C	24	18.5	92.5	0.77	3.85	120	-30...80	-40...85	≤ 5000mm
LFP2000S-G5-940-05 C	24	18.5	92.5	0.77	3.85	120	-30...80	-40...85	≤ 5000mm
LFP2000S-G5-947-05 C	24	18.5	92.5	0.77	3.85	120	-30...80	-40...85	≤ 5000mm
LFP2000S-G5-957-05 C	24	17.3	86.5	0.72	3.60	120	-30...80	-40...85	≤ 5000mm
LFP2000S-G5-980-05 C	24	17.3	86.5	0.72	3.60	120	-30...80	-40...85	≤ 5000mm
LFP2000S-G5-927R-05 C	24	21.0	105.0	0.88	4.38	120	-30...80	-40...85	≤ 5000mm
LFP2000S-G5-930R-05 C	24	19.5	97.5	0.81	4.06	120	-30...80	-40...85	≤ 5000mm
LFP2000S-G5-935R-05 C	24	19.5	97.5	0.81	4.06	120	-30...80	-40...85	≤ 5000mm
LFP2000S-G5-940R-05 C	24	18.1	90.5	0.75	3.77	120	-30...80	-40...85	≤ 5000mm



IP67

1

CONN-FLEX-IP67-2P

24V DC \ominus Tc OSRAM

24V DC \ominus Tc OSRAM

2

3

24V DC Made in Italy

24V DC OSRAM Made in Italy 24V DC

4

1

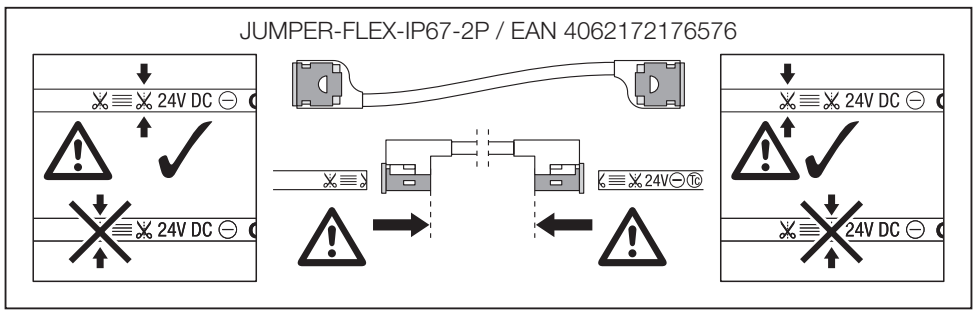
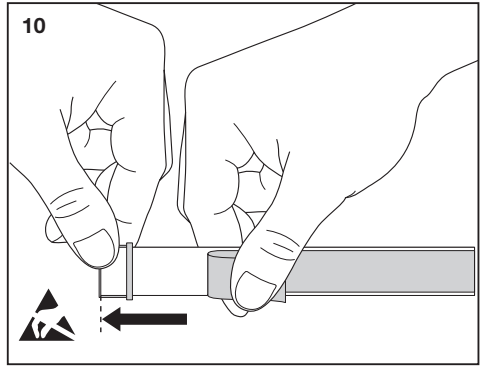
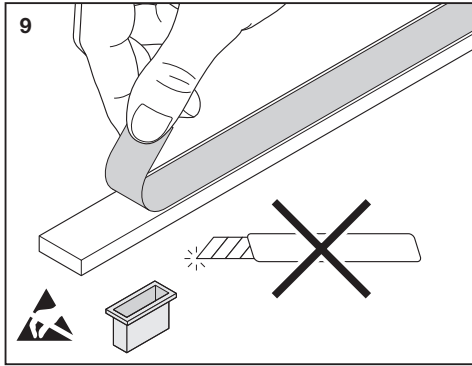
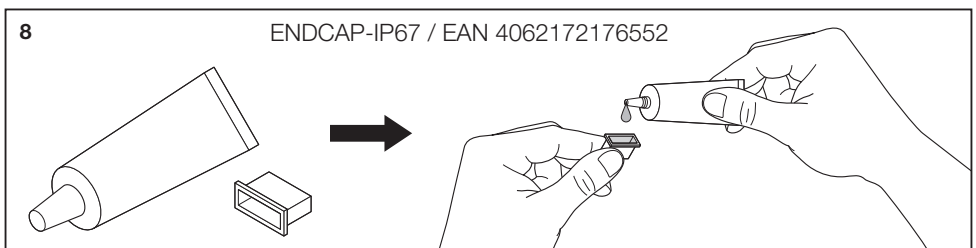
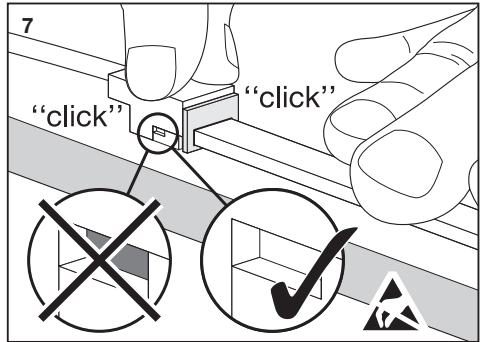
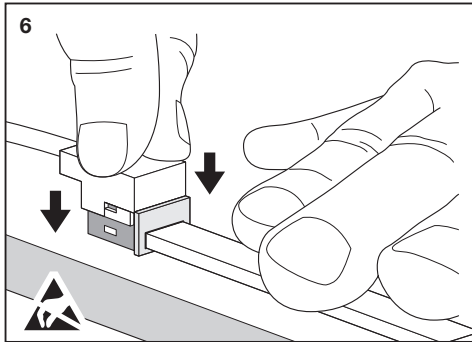
2

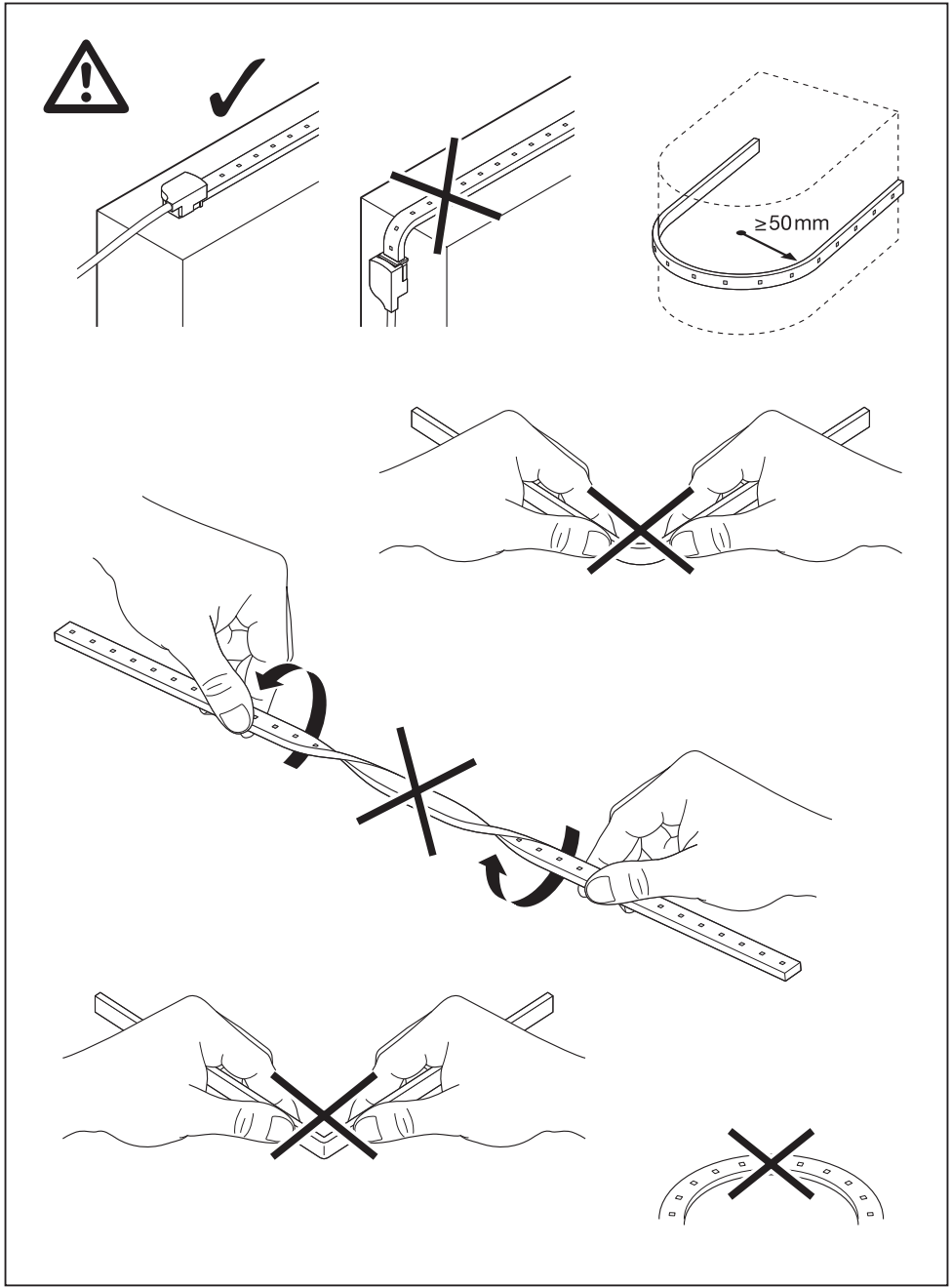
3

5

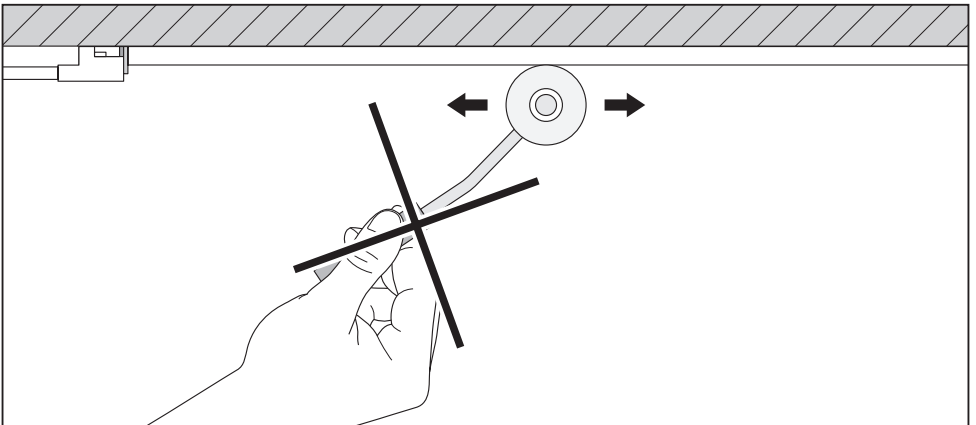
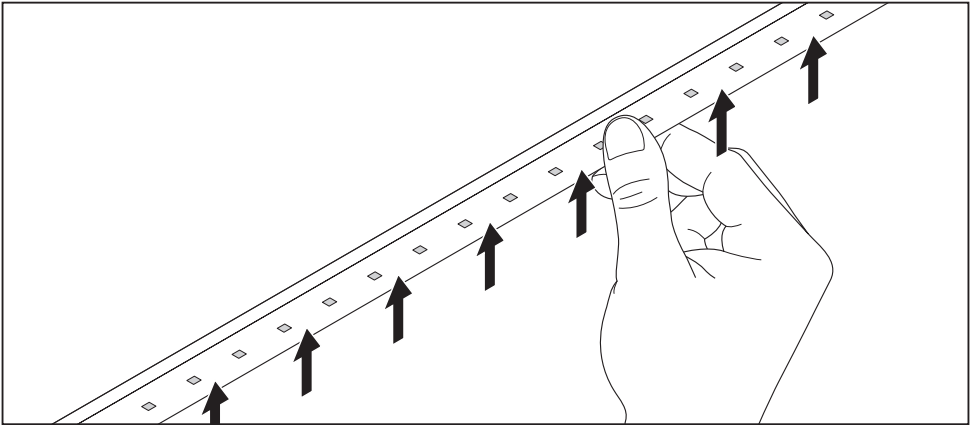
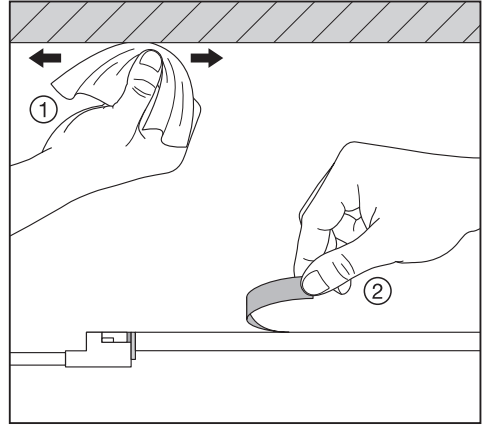
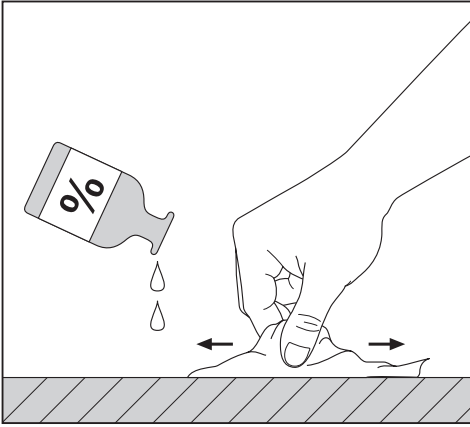
24V DC OSRAM Made in Italy 24V DC

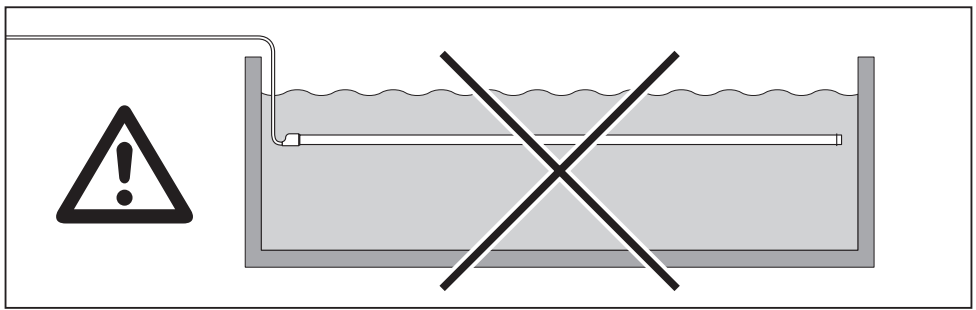
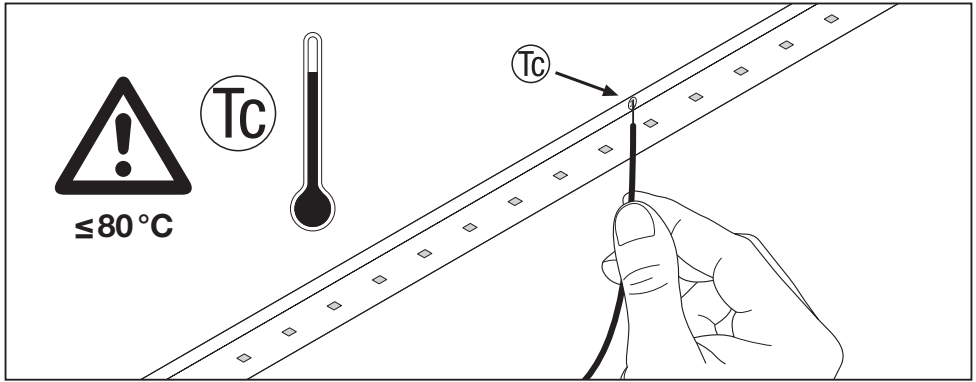
LINEARlight FLEX Protect Uniformity





LINEARlight FLEX Protect Uniformity

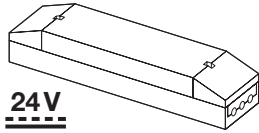




OPTIONAL*

* Ⓒ Optional Ⓓ En option Ⓙ Opzionale Ⓚ Opcional Ⓛ Opcional Ⓜ Alternativ Ⓝ Ekstraudstūr Ⓟ Volitelné Ⓠ Опціонально Ⓡ Қосымша Ⓢ Opcionalis Ⓣ Opcionalnie Ⓤ Volitelné Ⓥ Izbirno Ⓦ Opsiyonel Ⓧ Opcionalno Ⓨ Opțional Ⓩ По избор ⓐ Mittekohustuslik ⓑ Pasirenkamas ⓓ Pēc izvēles ⓔ Орсија ⓕ Пропонується додатково

V/DC	W	A
24	≤48	≤2



24V



SELV
SELV-Equivalent



Eye Safety RG 1 (low risk)*
IEC/TR 62778

* (D) Augensicherheit RG 1 (geringes Risiko) (E) Eye Safety RG 1 (low risk) (F) Risque pour les yeux RG 1 (faible risque) (I) Sicurezza fotobiologica: gruppo di rischio 1 (rischio basso) (E) Protección ocular RG 1 (riesgo bajo) (P) Segurança para os olhos RG 1 (baixo risco) (B) Κατηγορία ασφαλείας οφθαλμών RG 1 (χαμηλού ρίσκου) (NL) Veiligheid voor de ogen RG 1 (laag risico) (S) Ögonsäkerhet RG 1 (låg risk) (FM) Silmien turvallisuus RG 1 (vähäinen vaara) (N) Øyesikkerhet RG 1 (liten risiko) (DN) Øjensikkerhed RG 1 (lav risiko) (CZ) Bezpečnost očí RG 1 (riziková skupina 1 - nízké riziko) (RU) Защита глаз RG 1 (низкий риск) (H) Szemészeti biztonság RG1 kategória (alacsony kockázat) (PL) Bezpieczeństwo dla oczu RG 1 (niskie ryzyko) (SK) Bezpečnosť očí RG 1 (riziková skupina 1 - nízke riziko) (ID) Varnost oči RG 1 (nizko tveganje) (TR) Göz Güvenliği RG 1 (düşük risk) (B) Sigurnost očiju RG 1 (nizak rizik) (RO) Securitatea ochilor RG 1 (risc scăzut) (BG) Безопасност за очите RG 1 (с нисък риск) (ST) Ohutus silmadele RG 1 (madal risk) (L) Akių sauga RG 1 (maža rizika) (LV) Acu drošība RG 1 (zems risks līmenis) (BB) Zaštita očiju RG 1 (mala opasnost) (UA) Захист очей RG 1 (низький ризик)



≤ 4.16 A, suitable for damp and wet locations.
Class 2 power supply unit*

* (D) Geeignet für feuchte und nasse Orte. Netzgerät der Klasse 2 (F) Approprié pour une utilisation dans des endroits humides ou mouillés. Bloc d'alimentation de classe 2 (I) Adatta per ambienti bagnati o umidi. Alimentatore Classe 2 (E) Apto para ubicaciones húmedas y mojadas. Fuente de alimentación Clase 2 (P) Apropriado para locais húmidos e molhados. Fonte de alimentação Classe 2 (B) Κατάλληλο για περιοχές με υγρασία. Μονάδα τροφοδοτικού κατηγορίας 2 (NL) Geschikt voor klamme en vochtige locaties. Voedingskast klasse 2 (S) Lämplig för fuktiga och våta utrymmen. Strömförsörjningsenhet klasse 2 (FM) Sopii kosteisiin ja märkiin paikkoihin. Luokan 2 virtalähdeyksikkö (N) Egnert for fuktige og våte steder. Klasse 2 strømenhet (DK) Egnert til fugtige og våde omgivelser. Strømforsyningsenhet i klasse 2 (CZ) Vhodné pro vlhká prostředí. Napájecí jednotka třídy 2 (RU) Подходит для мест с высокой влажностью. Блок питания класса 2 (AZ) Дымқыл және ылғал орталар үшін қолайлы. 2-классқа жататын қуат блогы (H) Alkalmas nyirkos és nedves helyekre. 2. osztályba tartozó tápegység (PL) Nadaje się do wilgotnych i mokrych pomieszczeń. Zasilacz klasy 2 (SK) Vhodné do vlhkého prostredia. Napájacía jednotka triedy 2 (B) Primerno za vlažne in mokre lokacije. Napajalnik razreda 2 (TR) Nemli ve ıslak yerler. Sinif 2 güç kaynağı ünitesi (HR) Pogodno za mokra i vlažna mjesta. Jedinica napajanja klase II (RO) Apt pentru locuri umede și ude. Unitate de alimentare cu energie de clasă 2 (BG) Подходящо за влажни и мокри помещения. Електрозахранващ модул клас 2 (ST) Sobib niisketesse ja märgadesse kohtadesse. 2. klassi toiteallikas (L) Tinkama naudoti drėgnose ir šlapiose vietose. 2 klasės maitinimo blokas (LV) Piemērots mitrām un slapjām vietām. 2. klases barošanas bloks (BB) Pogodno za mokra i vlažna mesta. Jedinica za napajanje Klase 2 (UA) Підходить для сирих і вологих місць. Блок живлення класу 2

INVENTRONICS is a licensee of ams OSRAM. OSRAM is a trademark of ams OSRAM



IP67



C10449059
G15126317
12.09.23



Inventronics GmbH
Berliner Allee 65
86153 Augsburg
Germany

www.inventronicsglobal.com