

OPTOTRONIC® OTe 120/110-277/12 E

Constant Voltage LED Power supply for 12V LED – Modules

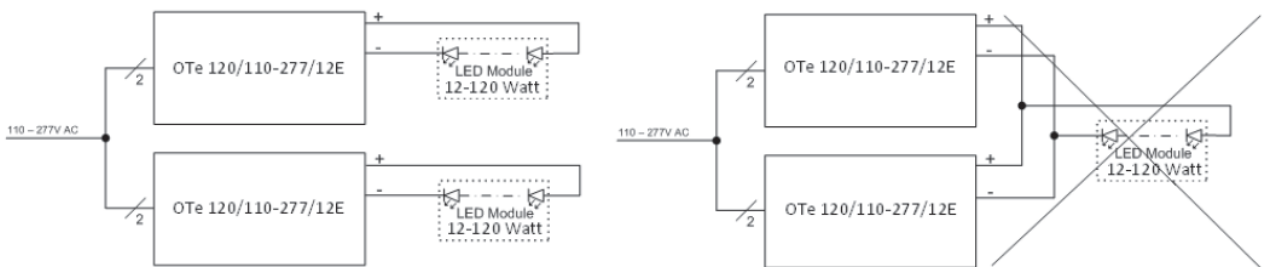
1 Technical Data

Nominal Voltage	110-277V _{AC}	Maximum Output Power P _{max}	120 W
Input Voltage	100 – 305V _{AC}	Minimum Output Power P _{min}	12 W
Line Current, nominal	1.3A at 110V 0.65A at 230V	Output Voltage	12.5V (+/-4%)
Mains Frequency	50 / 60 Hz	Ambient Temperature T _a	-25 °C to +55 °C
Power Factor	>=0.95 @ 230Vac	Max. Case Temperature at T _c	95 °C
IP Rating	IP 64	Max. Cable Length	10m

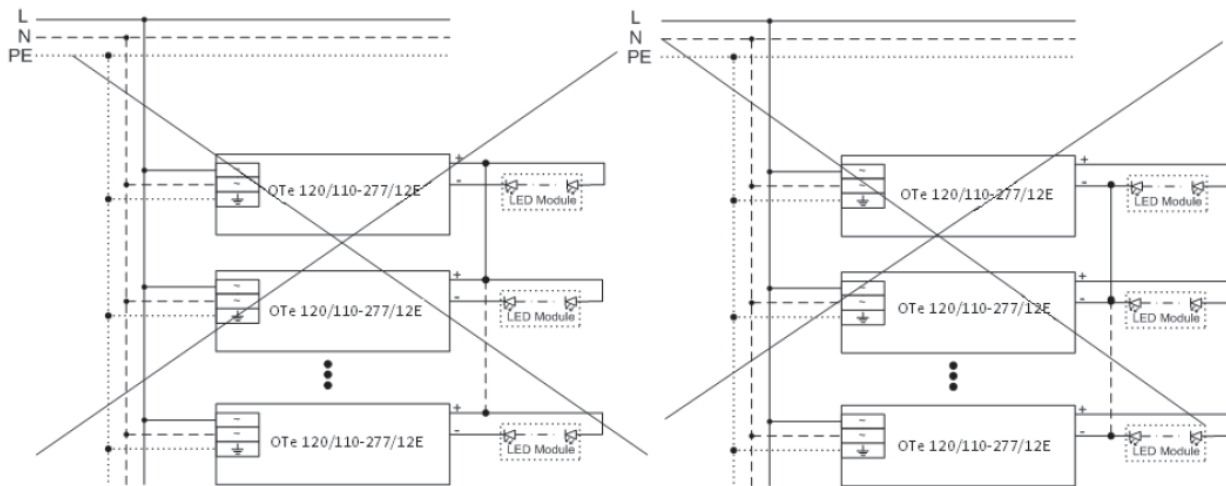
2 Connection Schemes



3 Safety



Power supplies can be connected in parallel on the primary side, but not on the secondary side



The installation of two or more OPTOTRONIC® OTe 120/110-277/12 E Power supplies with common "-" or "+" wiring is forbidden.

4 Wiring and Connection

- Ensure that the LED module load is within the range of rated voltage, current and power (see Technical data)
- Maximum output cable length is limited by EMI and cross diameter
- Use output cable sections adequate to the load demand
- The luminaire manufacturer is responsible for providing the required clearances and creepage distances and also for protection against electrical shock, especially for the line and load wires
- Please avoid direct exposure of sunlight and in case of exposure to UV rays, protect the cables with suitable silicone sheath
- For energy saving, please do not power on the driver without LED load and secondary switching is not allowed.

5 Earth Connection

- Protective earth connection of OTe 120/110-277/12 E is mandatory for safety and EMC reasons
- The ground connection has to be done via the housing case and proper countersunk screws should be used

6 Mounting and Environmental protection

- The control gear is a build in type for luminaire integration
- Maximum permissible ambient temperature must not be exceeded. Make sure there is adequate space to avoid a build-up of heat. In critical installations the temperature at Tc has to be controlled

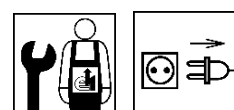
7 General Note

- Power supplies must be installed by a qualified electrician
- Disconnected from mains supplies before wiring work
- For further information see also "OPTOTRONIC – Technical guide" at www.osram.com

OSRAM GmbH

Head Office:

Marcel-Breuer-Strasse 6
80807 Munich, Germany
Phone +49 89 6213-0
Fax +49 89 6213-2020
www.osram.com



OSRAM