



Light is performance

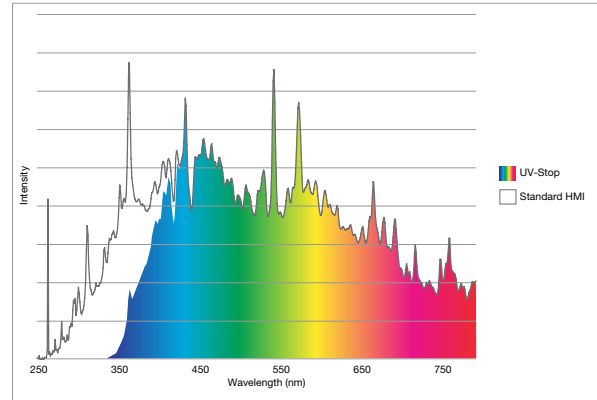
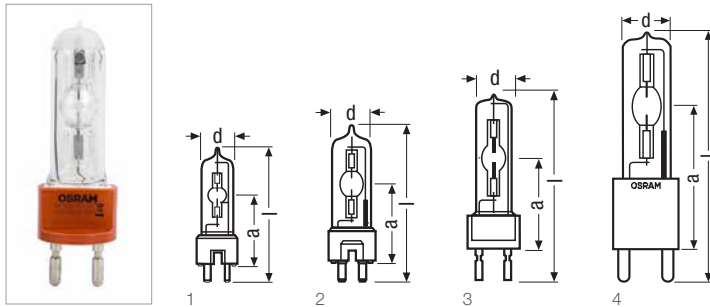
Focusing on the essentials: the new OSRAM HMI[®] with UV stop

OSRAM HMI UVS lamps provide high light intensity with UV emissions reduced by up to 99.9%. HMI UVS lamps not only extend the life of fixture components, they also reduce ultraviolet emissions from the back of fixtures. HMI lamps equipped with UVS achieve these benefits without compromising performance.

Light is OSRAM

OSRAM

Spectral Power Distribution HMI 800 W/SEL UVS vs. HMI 800 W/SEL



HMI® UVS lamp types

Product reference	Product number	W	V	A		lm	t[h]		d [mm]	LCL a [mm]	I [mm]	No.
HMI UVS, single ended												
HMI 200W/SE UVS	53977	200	70	3.0	GZY9.5	16000	200	Any	20	39	80	1
HMI 400W/SE UVS	53978	400	70	6.9	GZZ9.5	33000	650	Any	23	60	110	2
HMI 575W/SEL UVS	53979	575	95	6.9	G22	49000	1000	Any	30	70	145	3
HMI 800W/SEL UVS	54482	800	95	8.4	G22	65000	1000	Any	30	70	145	3
HMI 1200W/SEL UVS	53980	1200	100	13.8	G38	110000	1000	Any	42	107	200	4
HMI 1600W/SE UVS	53981	1600	150	10.7	G22	150000	750	Any	38	85	175	3
HMI 1800W/SE UVS	53982	1800	140	13.0	G38	165000	750	Any	42	107	200	4

Why compromise? HMI® UVS lamps pair legendary performance with enhanced safety.

More than 40 years ago, film and television producers turned to OSRAM, seeking an economical and efficient alternative to incandescent lights. From this request, the HMI lamp was born. The technology has since received multiple awards and spread from Hollywood to Bollywood. With an extremely bright light providing up to 100 lumens per watt, OSRAM HMI lamps generate a color temperature that closely matches sunlight. It reveals true colors and facilitates daytime filming outdoors. Dimmable with hot restart capability, OSRAM HMI lamps are five to ten times more efficient than incandescent lamps.

OSRAM has developed a new group of HMI lamps incorporating a doped UV Stop (UVS) quartz outer jacket

that reduces UV emissions up to 99.9%. Not only does UVS protect film crews and talent from radiation, it also extends the life of fixture components. Most importantly, HMI lamps equipped with UVS achieve these benefits without compromising performance. OSRAM offers seven HMI UVS lamps, ensuring there is a lighting solution for every set, stage, and project.

Product Features

- Color temperature of ~ 6000K
- High color rendering index of 90+
- Extremely bright, up to 100 lumens/watt
- Dimmable
- Hot restart capability
- Drastically reduced UV emissions
- Safer than standard HMI lamps

OSRAM

Americas Headquarters
 OSRAM SYLVANIA Inc.
 200 Ballardvale Street
 Wilmington, MA 01887 USA
 Phone: 978-570-3000
 www.osram.us

OSRAM

Professional and Industrial Applications
 Specialty Lighting
 OSRAM SYLVANIA Inc.
 129 Portsmouth Avenue
 Exeter, NH 03833
 United States: 888-677-2627
 Canada: 800-729-3777
 Mexico: 525-899-1807

OSRAM is a registered trademark of OSRAM GmbH. All other trademarks are those of their respective owners. Specifications subject to change without notice.



OSRAM does not accept liability for errors, changes and omissions.