

ECOFITZ™ LED Highbay Datasheet



CCC IP20

PRELIMINARY

ECOFITZ™ LED Highbay is a highly reliable and efficient, cost effective LED luminaire with classic reflector appearance design. The luminaire features robust die-cast body, grey texture finishing, and good glare control thanks to aluminium reflector. ECOFITZ™ LED Highbay is extremely affordable, and is the perfect replacement for HID highbay in industrial and commercial applications.

Benefits

One to one replacement for HID highbay with 45% energy saving

- Up to 110 lm/W high efficacy
- Comparable lumen output with HID highbay
- Maintenance free

Good structure design

- Robust die cast housing
- Simple and classical appearance
- Same outlook as HID highbay

Good lighting quality

- Luminaire with reflector for better glare control
- Homogenous diffused light
- High CRI > 80

Applications

- Industrial and commercial halls
- Storages and logistics
- Public areas (airport, stations and stadiums)

ECOFITZ™ LED Highbay

Technical Data

Optical Specifications

	70W	130W	200W
Luminous Flux	7700 lm	14,300 lm	22,000 lm
Efficacy	110 lm/W		
CCT	4000K, 5700K		
CRI	>80		
SDCM	5		
Beam Angle	80°		

Electrical and Mechanical Specifications

Input Voltage	220-240V AC 50/60Hz			
Power Consumption	70W	130W	200W	
Power Factor	0.95			
Total Harmonic Distortion	<15%			
Surge Protection	Line-to-line 2KV, line-to-ground 4KV			
Dimensions	Diameter	384mm	384mm	511mm
	Height	243mm	243mm	288mm
Weight	2.4kg	2.4kg	4kg	
Cover Lens	PC cover			
Housing	Die-cast aluminium housing, anodized aluminium reflector, grey			

System Specifications

Power	AC line
Dimmable	ON/OFF
Installation	Suspended mounting
Operating Temperature	-20°C to +40°C
Storage Temperature	-35°C to +85°C
Environment	Indoor (IP20)
Lumen Maintenance	L70 @25°C - 30,000hrs
Safety Approval	Electrical Protection Class I, CCC, CB

Due to the special conditions of manufacturing process of LED, the typical data of technical parameters can only reflect statistical figures and do not necessarily correspond to the actual parameters of each single product which could differ from typical data.

Exceeding maximum ratings for operation voltage will cause hazardous overload and will likely destroy the LED module.

Exceeding maximum ratings for operation and storage temperature will reduce expected life time or destroy the LED module.

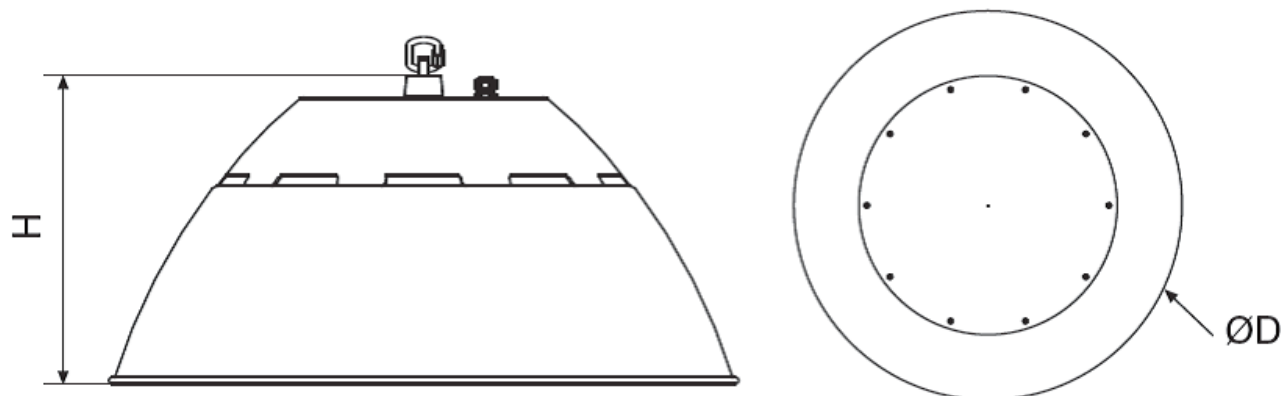
01/17 V0.1 Preliminary · Specifications are subject to change without notice. Errors and omission excepted, always make sure to use the most recent release.

©2017 OSRAM GmbH · All rights reserved · Internet www.lightingsolutions.osram.com/asia

2 of 3

ECOFITZ™ LED Highbay

Dimensions

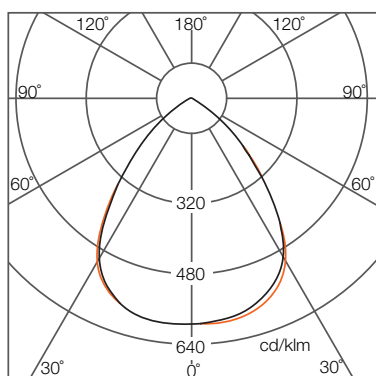


Dimensions

	70W	130W	200W
ØD	384mm	384mm	511mm
H	243mm	243mm	288mm

Photometrics

Light Distribution Curve



Due to the manufacturing processes of LED, the polar candela distribution and distance luminaries only reflect statistical figures and do not necessarily correspond to the actual parameters of individual product that may differ from the typical values.

Ordering Codes

Fixture

Short Text	Power	CCT	Material	EAN40
ECOFITZ HIGHBAY 70W L840 VS2 OSRAM	70W	4000K	AM059210055	4052899498280
ECOFITZ HIGHBAY 70W L857 VS2 OSRAM	70W	5700K	AM059200055	4052899498303
ECOFITZ HIGHBAY 130W L840 VS2 OSRAM	130W	4000K	AM059320055	4052899498327
ECOFITZ HIGHBAY 130W L857 VS2 OSRAM	130W	5700K	AM059290055	4052899498341
ECOFITZ HIGHBAY 200W L840 VS2 OSRAM	200W	4000K	AM059250055	4052899498365
ECOFITZ HIGHBAY 200W L857 VS2 OSRAM	200W	5700K	AM059310055	4052899498389