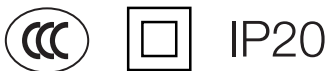


LED COMFO® Downlight G2

Datasheet



LED COMFO® Downlight G2 series offers a full range of options from 4", 6" and 8", providing comfortable lighting experience with affordable initial investment. The series is an ideal replacement for traditional CFL downlights with up to 60% energy saving.

Benefits

Efficient CFL replacement

- Up to 80 lm/W, 60% energy saving comparing to CFL downlight
- 20,000 hours lifetime, more than 4 years on average if turned on 13.6 hours per day
- Imported LED that alleviate light degradation during lifetime

Comfort light

- Evenly distributed light, no uneven brightness in diffuser
- Highly consistent brightness and color temperature result in perfect light ambiance

Easy installation

- Wide mounting ring options from 8 to 12.5mm to suit different installation holes
- Compact design, height from 62mm to 92mm that fits into various ceilings
- Pre-wired for easy installation without screw

Rigidness

- Fire resistance PC housing that stands rigid in harsh indoor environment
- 1KV line-to-line surge protection from sudden switch ON/OFF of high power devices around

Applications

- Commercial buildings
- Offices
- Supermarkets

LED COMFO® Downlight G2

Technical Data

Optical Specifications

	4"	6"	6"	8"
Luminous Flux	600 lm	800 lm	1280 lm	1600 lm
Efficacy	75 lm/W	80 lm/W	80 lm/W	80 lm/W
CCT	3000K, 4000K, 6500K			
CRI	80			
SDCM	5			
Beam Angle	100°			

Electrical and Mechanical Specifications

Input Voltage	220-240V AC 50/60Hz				
Power Consumption	8W	10W	16W	20W	
Power Factor	0.5				
Surge Protection	Line-to-line 1KV				
Dimensions	Diameter	116mm	172mm	172mm	225mm
	Height	62mm	72mm	72mm	92mm
Weight	0.15kg	0.25kg	0.25kg	0.45kg	
Cover Lens	PC diffuser				
Housing	PC housing, white				

System Specifications

Power	AC line			
Dimmable	ON/OFF only			
Installation	Recessed mounting			
Mounting Hole	100mm	150mm	150mm	200mm
Operating Temperature	-20°C to +40°C			
Storage Temperature	-20°C to +80°C			
Environment	Indoor (IP20)			
Lumen Maintenance	L70 @25°C - 20,000hrs			
Safety Approval	Electrical Protection Class II, CB, CCC, RoHS			

Due to the special conditions of manufacturing process of LED, the typical data of technical parameters can only reflect statistical figures and do not necessarily correspond to the actual parameters of each single product which could differ from typical data.

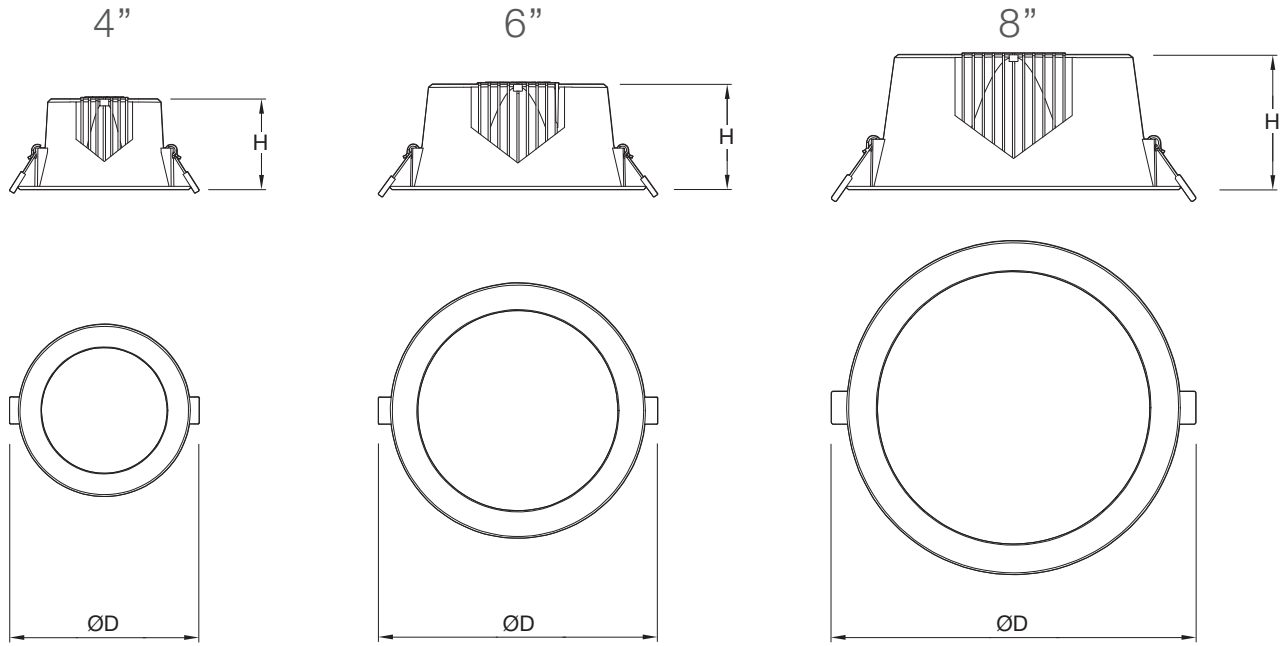
Exceeding maximum ratings for operation voltage will cause hazardous overload and will likely destroy the LED module.

Exceeding maximum ratings for operation and storage temperature will reduce expected life time or destroy the LED module.

12/16 V1.1 · Specifications are subject to change without notice. Errors and omission excepted, always make sure to use the most recent release.

LED COMFO® Downlight G2

Dimensions



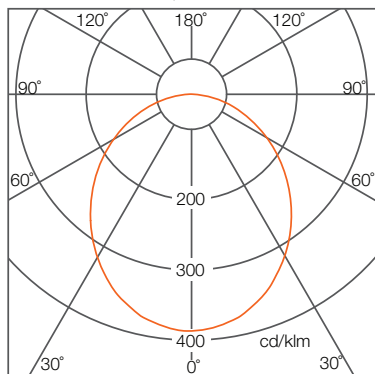
Dimensions

	4"	6"	8"
ØD	116mm	172mm	225mm
H	62mm	72mm	92mm

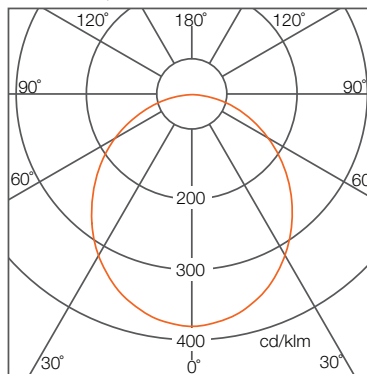
LED COMFO® Downlight G2

Photometrics Light Distribution Curve

4", 8W



6", 10W/16W



Illuminance at a distance

	Center Beam Lux/klm	Beam Width
0.5m	1551	1.24m
1m	388	2.49m
1.5m	172	3.73m
2m	97	4.97m
2.5m	62	6.22m
3m	43	7.46m

For feet multiply by 3.28

● Spread: 102.4°
For fc divide by 10.7

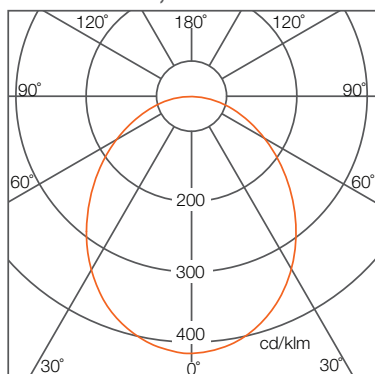
	Center Beam Lux/klm	Beam Width
0.5m	1520	1.29m
1m	380	2.58m
1.5m	169	3.87m
2m	95	5.16m
2.5m	61	6.45m
3m	42	7.74m

For feet multiply by 3.28

● Spread: 104.4°
For fc divide by 10.7

Light Distribution Curve

8", 20W



Illuminance at a distance

	Center Beam Lux/klm	Beam Width
0.5m	1653	1.13m
1m	413	2.25m
1.5m	184	3.38m
2m	103	4.51m
2.5m	66	5.63m
3m	46	6.76m

For feet multiply by 3.28

● Spread: 96.8°
For fc divide by 10.7

Due to the manufacturing processes of LED, the polar candela distribution and distance luminaries only reflect statistical figures and do not necessarily correspond to the actual parameters of individual product that may differ from the typical values.

12/16 V1.1 · Specifications are subject to change without notice. Errors and omission excepted, always make sure to use the most recent release.

©2016 OSRAM GmbH · All rights reserved · Internet www.lightingsolutions.osram.com/asia

LEDCOMFO® Downlight G2

Ordering Codes

Fixture

Short Text	Diameter	Power	CCT	Material	EAN10	EAN40
LEDCOMFO DL G2 408 830 16X1 OSRAM	4"	8W	3000K	AM041250055	4052899487321	4052899487338
LEDCOMFO DL G2 408 840 16X1 OSRAM	4"	8W	4000K	AM041260055	4052899487376	4052899487383
LEDCOMFO DL G2 408 865 16X1 OSRAM	4"	8W	6500K	AM041270055	4052899487390	4052899487406
LEDCOMFO DL G2 610 830 12X1 OSRAM	6"	10W	3000K	AM041280055	4052899487444	4052899487451
LEDCOMFO DL G2 610 840 12X1 OSRAM	6"	10W	4000K	AM041290055	4052899487468	4052899487475
LEDCOMFO DL G2 610 865 12X1 OSRAM	6"	10W	6500K	AM041300055	4052899487482	4052899487499
LEDCOMFO DL G2 616 830 12X1 OSRAM	6"	16W	3000K	AM041310055	4052899487512	4052899487529
LEDCOMFO DL G2 616 840 12X1 OSRAM	6"	16W	4000K	AM041320055	4052899487567	4052899487574
LEDCOMFO DL G2 616 865 12X1 OSRAM	6"	16W	6500K	AM041330055	4052899487598	4052899487604
LEDCOMFO DL G2 820 830 8X1 OSRAM	8"	20W	3000K	AM041340055	4052899487673	4052899487680
LEDCOMFO DL G2 820 840 8X1 OSRAM	8"	20W	4000K	AM041350055	4052899487758	4052899487765
LEDCOMFO DL G2 820 865 8X1 OSRAM	8"	20W	6500K	AM041360055	4052899487789	4052899487796