

Light is OSRAM

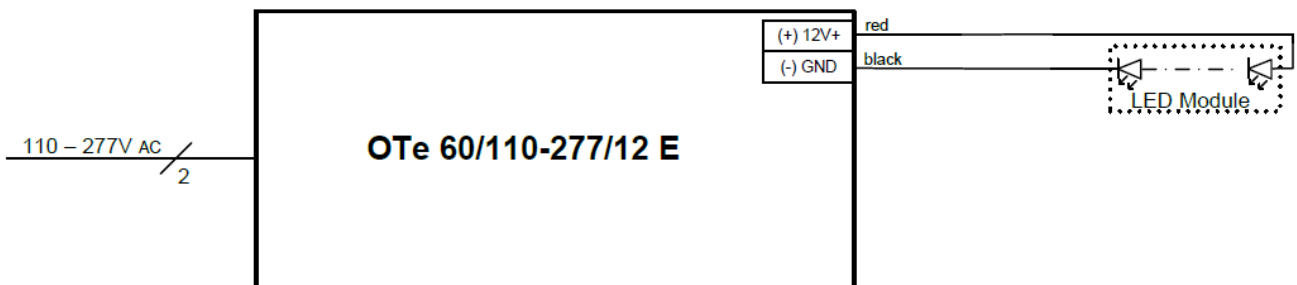
# OPTOTRONIC<sup>®</sup> OTe 60/110-277/12 E

Constant Voltage LED Power supply for 12V LED - Modules

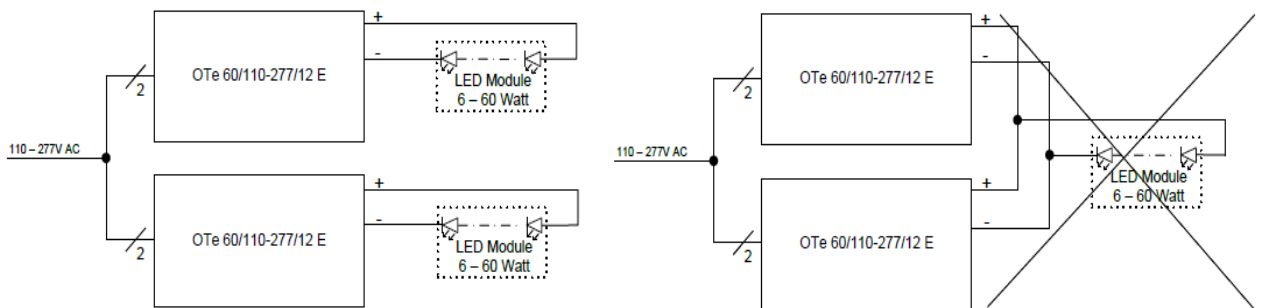
## 1 Technical data

Nominal Voltage	110-277V <sub>AC</sub>	Maximum Output Power P <sub>max</sub>	60W
Input Voltage	100-305V <sub>AC</sub>	Minimum Output Power P <sub>min</sub>	6W
Line Current, nominal	0.65A at 110V 0.35A at 230V	Output Voltage	12.5V (+/- 4%)
Mains Frequency	50 / 60Hz	Ambient Temperature T <sub>a</sub>	-25 °C to +55 °C
Power Factor	>=0.95 @230Vac	Max. Case Temperature at T <sub>c</sub>	80°C
IP Rating	IP 64	Max. Case Length	10m

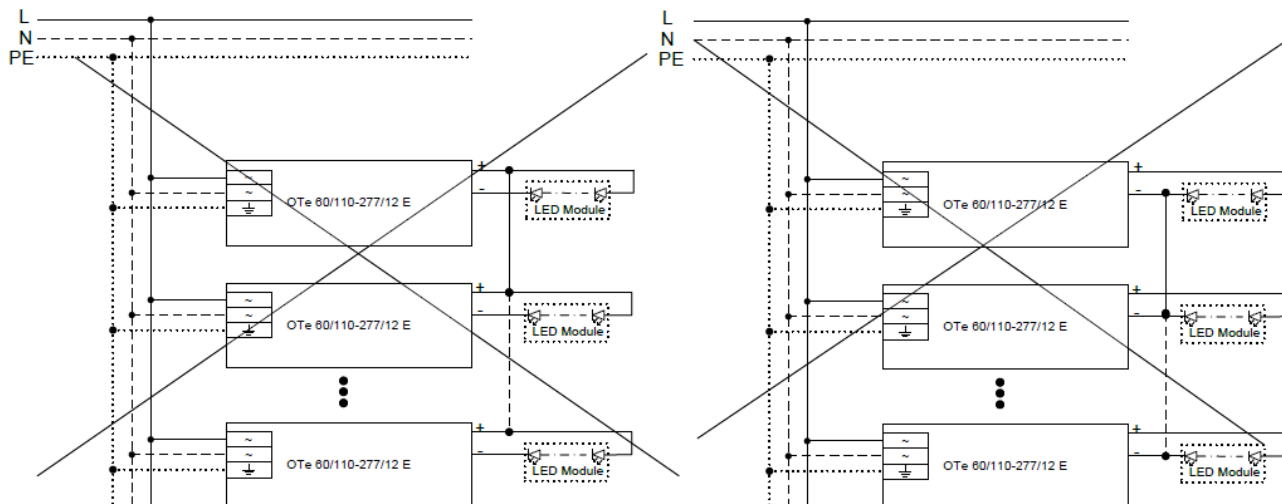
## 2 Connection Schemes



## 3 Safety



Power supplies can be connected in parallel on the primary side, but not on the secondary side



The installation of two or more OPTOTRONIC® OTe 60/110-277/12 E Power supplies with common “-” or “+” wiring is forbidden.

## 4 Wiring and Connection

- Ensure that the LED module load is within the range of rated voltage, current and power (see Technical data)
- Maximum output cable length is limited by EMI and cross diameter
- Use output cable sections adequate to the load demand
- The luminaire manufacturer is responsible for providing the required clearances and creepage distances and also for protection against electrical shock, especially for the line and load wires
- Please avoid direct exposure of sunlight and in case of exposure to UV rays, protect the cables with suitable silicone sheath
- For energy saving, please do not power on the driver without LED load and secondary switching is not allowed.

## 5 Earth Connection

- Protective earth connection of OTe 60/110-277/12 E is mandatory for safety and EMC reasons
- The ground connection has to be done via the housing case and proper countersunk screws should be used

## 6 Mounting and Environmental protection

- The control gear is a build in type for luminaire integration
- Maximum permissible ambient temperature must not be exceeded. Make sure there is adequate space to avoid a build-up of heat. In critical installations the temperature at Tc has to be controlled

## 7 General Note

- Power supplies must be installed by a qualified electrician
- Disconnected from mains supplies before wiring work
- For further information see also “OPTOTRONIC – Technical guide” at [www.osram.com](http://www.osram.com)



OSRAM GmbH

Head Office:

Marcel-Breuer-Strasse 6  
 80807 Munich, Germany  
 Phone +49 89 6213-0  
 Fax +49 89 6213-2020  
[www.osram.com](http://www.osram.com)

**OSRAM**