

Light is OSRAM

# GINOLED Flex DIFFUSE TW Plus - TOP

Save energy in general illumination with robust and long endurance LED strips

GFDT800TWPLUS



## Features & Benefits

- Top bendable LED strip
- Dimmable with DALI DT8
- Compatible with OSRAM DT8 OPTOTRONIC OTi DALI 24 V
- Tunable White with diffuse solution
- Wide range of accessories
- CTTs: 2500 K - 5700 K
- 60 000h @L70B50
- 5 Years OSRAM Guarantee
- IP67 for outdoor applications
- Long operational length per single power feed up to 7 m
- CRI90
- 832 lm/m

## Application areas

Outdoor or Indoor contour/border lighting  
 Architectural Outline/Decorative lighting  
 Cove/Accent lighting  
 Hospitality

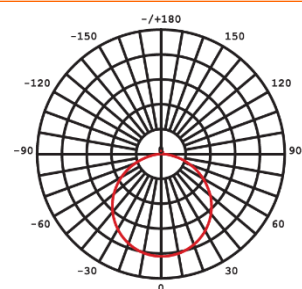
## Standards

CE, ENEC

Photometric data acc. to: LM-80 and TM-21, LM-79, EN13032-4, CIE S 025, IES TM-30-15

## Main data

Nominal Voltage	24.0 V
Ambient temperature range (ta)	-30...+55 °C
Operating temperature range tc	-30...+90 °C
Storage temperature range	-40...+55 °C
Dimmable	Pulse width modulation (PWM)
Dimming range	1...100%
Lifetime	60.000 hrs (L70B50 & L80B10, Tp rated)
Adhesive tape on backside	3M
Complementary systems	Connectors, Profiles and covers, OPTOTRONIC drivers and dimmers
Minimum bending radius	150 mm
Protection type	IP67
Classification acc. to IEC 62031	Built-in



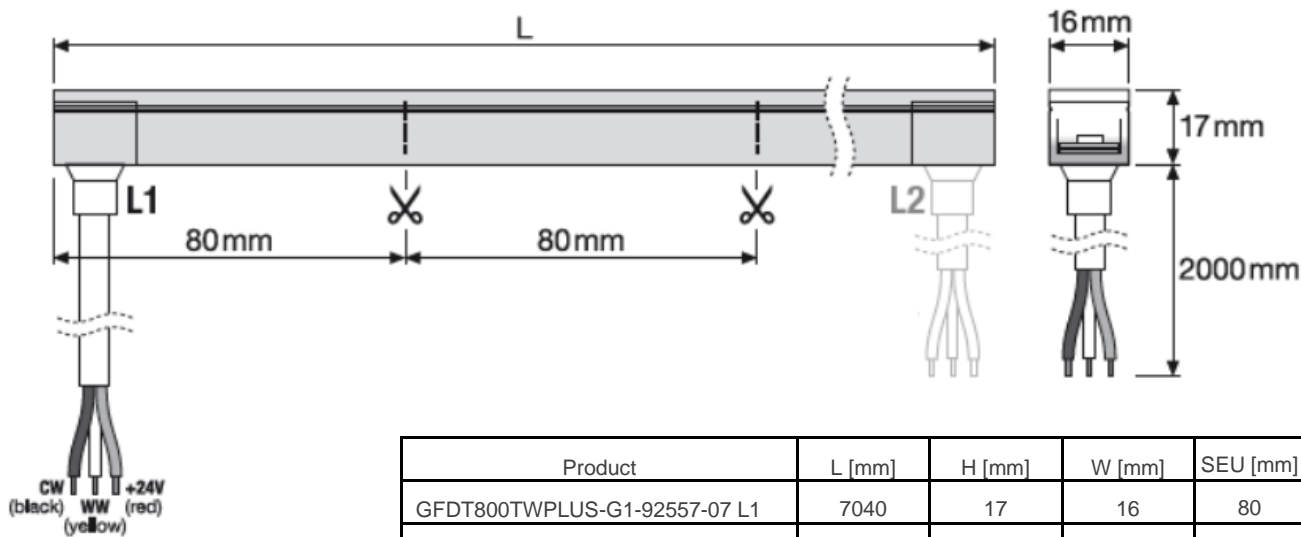
Beam Angle: 110°

**Technical data**

Product	CCT	Voltage (V DC)	Current (A/m)	Power (W/m)	Lm/m	CRI	Operable length (mm)
GFDT800TWPLUS-G1-92557-07 L1 GFDT800TWPLUS-G1-92557-07 L2	2500-5700 K	24	0.521	12.5	832	90	7040
	CCT	Power (W/m)	Lumen/m	CRI			
GFDT800TWPLUS-G1-92557-07 L1	2500 K	6.25	416	90			
GFDT800TWPLUS-G1-92557-07 L2	5700 K	6.3	416	90			

Product	CCT	Voltage (V DC)	Current (A/m)	Power (W/m)	Lm/m	CRI	Operable length (mm)
GFDT800TWPLUS-G1-92557-01 L1	2500-5700 K	24	0.521	12.5	832	90	960
	CCT	Power (W/m)	Lumen/m	CRI			
GFDT800TWPLUS-G1-92557-01 L1	2500 K	6.25	416	90			
	5700 K	6.3	416	90			

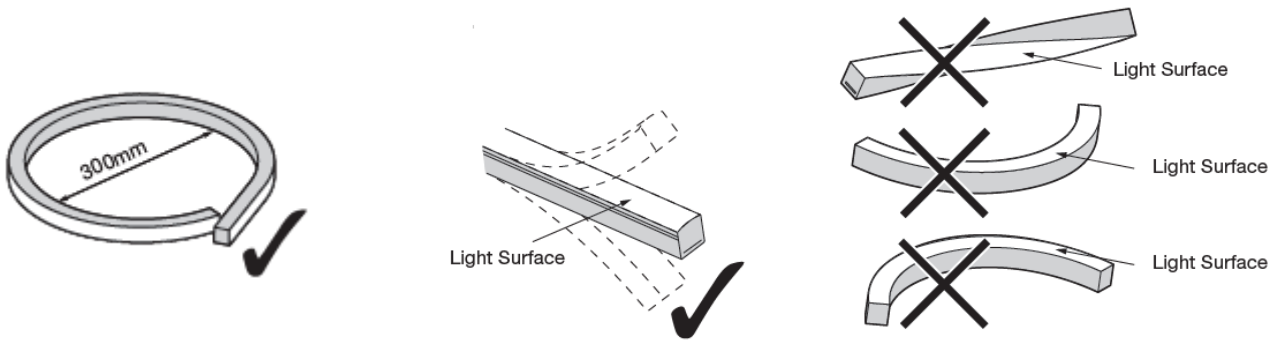
**Mechanical data**



Product	L [mm]	H [mm]	W [mm]	SEU [mm]
GFDT800TWPLUS-G1-92557-07 L1	7040	17	16	80
GFDT800TWPLUS-G1-92557-07 L2	7040	17	16	80
GFDT800TWPLUS-G1-92557-01 L1	960	17	16	80

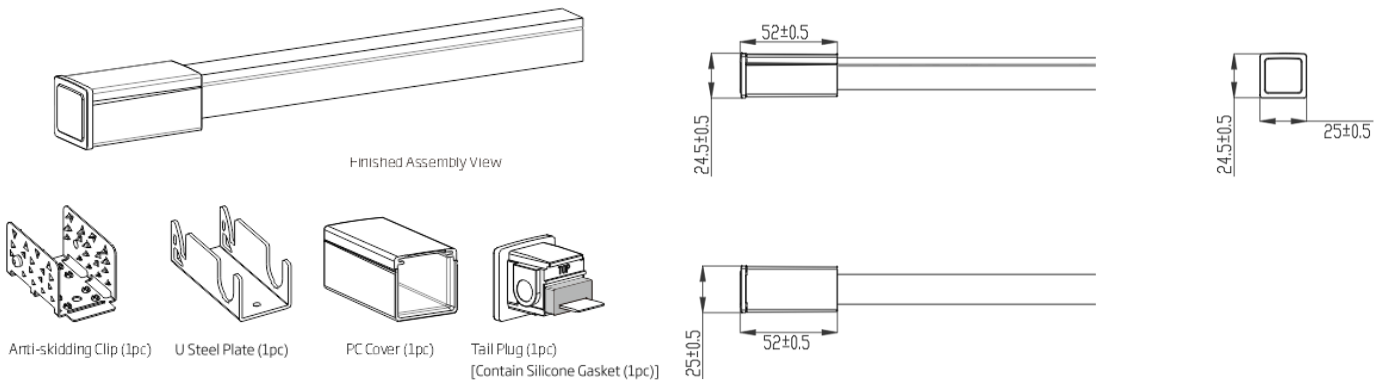
Red Cable: +24 V  
 Yellow Cable: Warm channel  
 Black Cable: Cold channel

**GFDT800TWPLUS bending direction (yellow: light emitting surface)**



**Optional accessories**

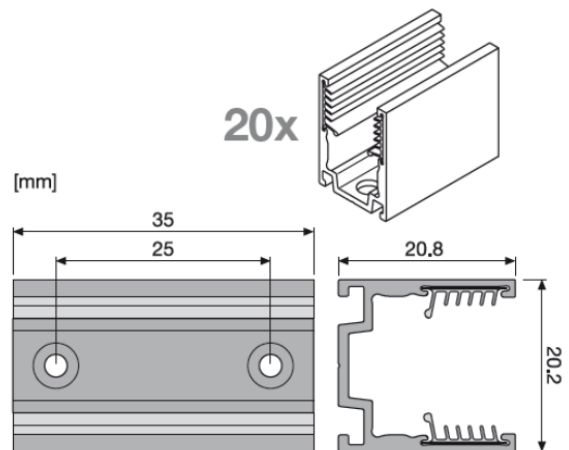
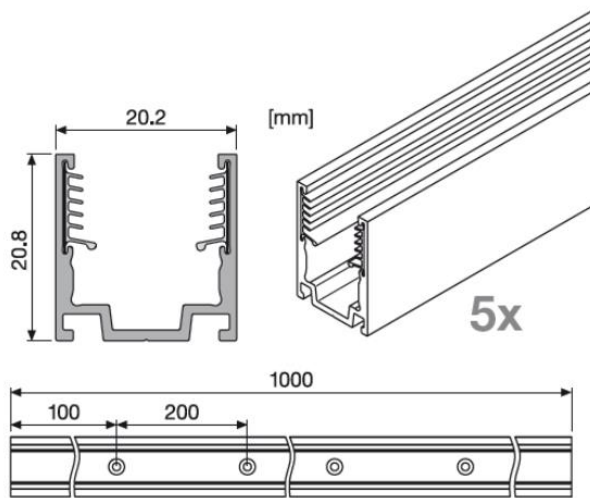
**End Cap: FX-GFDT24RGB-G1-IP67ENDCAPKIT**



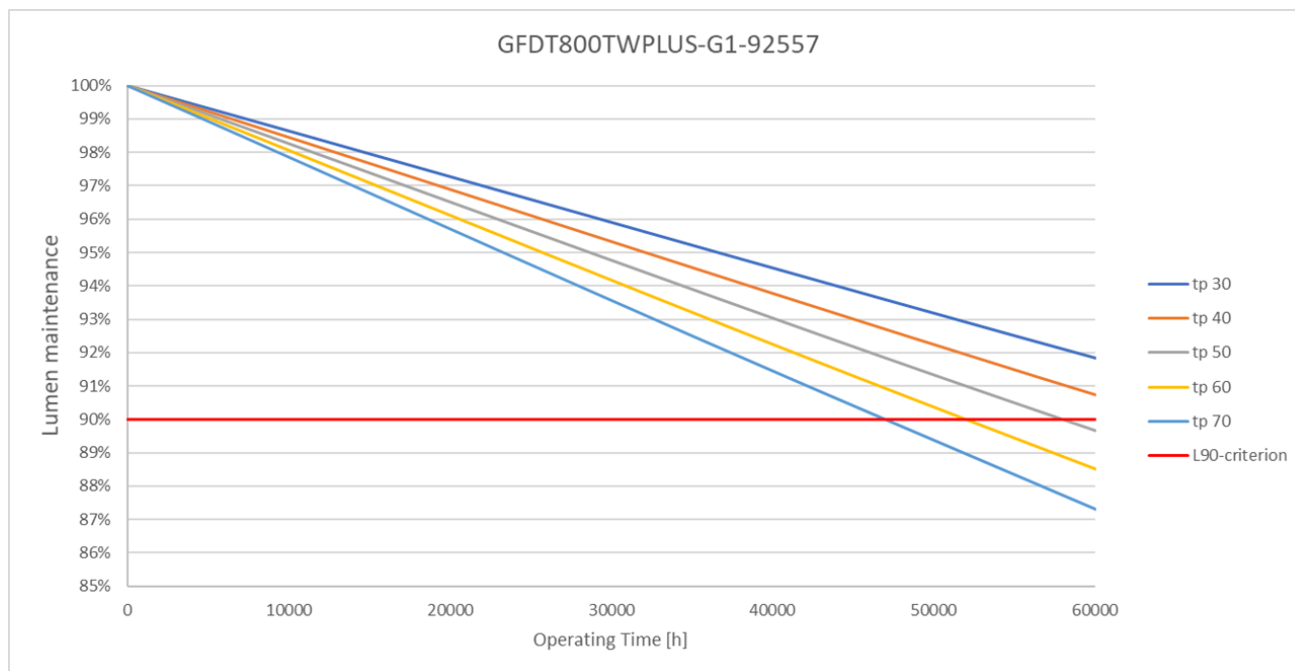
**Note:** LED modules must be with snap end cap after cutting. The snap end cap can be assembled by instructed person or assembled by end-product manufacturer.

**Track: FX-GFDM-G1-TT-20H20-1000**

**Clip: FX-GFDM-G1-TT-20H20-20**



### Luminous Flux maintenance according to Tp value



**Note:** Light flux varies with the temperature measured @Tc point; nominal values is given @Tc = Tp. Flux increases when Tc decreases .

### Ordering Data

Product description	Product code (EAN10)	EAN10 Package dimensions (length x width x height)	Package content
GFDT800TWPLUS-G1-92557-07 L1	4062172284813	705 x 595 x 50 mm	1 x Led strip
GFDT800TWPLUS-G1-92557-07 L2	4062172284837	705 x 595X 50 mm	1 x Led strip
GFDT800TWPLUS-G1-92557-01 L1	4062172284899	455 x 345 x40 mm	1 x Led strip
FX-GFDM-G1-TT-20H20-1000 KIT 5	4062172215763	1100 x 80 x 60 mm	5 x LED strip profile
FX-GFDM-G1-TT-20H20-20 KIT 20 PCS	4062172215749	290 x 220 x 125 mm	20 x clips
FX-GFDT24RGB-G1-IP67ENDCAPKIT	4062172285155	130 x 90 mm	35 x end caps

## Disclaimer

---

- The LED module itself and all its components may not be mechanical stressed.
- Assembly must not damage or destroy conducting paths on the circuit board.
- To avoid mechanical damage to the connecting cables, the module should be attached securely to the fixture. Heavy vibration should be avoided.
- Installation of LED modules with (power supplies) needs to be made with regard to all applicable electrical and safety standards. Only qualified personnel should be allowed to perform installation.
- Please ensure that the power supply is of adequate power to operate the total load.
- The module should be driven by SELV constant voltage output driver, the rated output voltage shall be equal to rated supply voltage of LED module, and the rated output power at least equal to the rated power of LED module.
- Electrical contact is achieved with the contact cables.
- The design of the housing should be according to the IP standards in the application.
- Pay attention to standard ESD precautions when installing the module.
- If surge protection structure not within power supplier, a lightening protector should be needed additionally for outdoor application.
- For China or Europe market, The module only applied to Class III Luminaire.
- tc max value is 90° C, higher tc application is not recommended.
- Subject to change without notice. Errors and omission excepted. Make sure to use the most recent release. All values are average typical and cannot be used as reference for compliance tests. Always refer to the official data on web site: [www.osram.com](http://www.osram.com)



Built-in LED module

For further information please write to [support-DS@osram.com](mailto:support-DS@osram.com)

OSRAM GmbH

Head Office:

Marcel-Breuer-Strasse 6  
80807 Munich, Germany  
Phone +49 89 6213-0  
Fax +49 89 6213-2020  
[www.osram.com](http://www.osram.com)

**OSRAM**