

Product Document



Application Note

AN000622

AS72xx

External Flash Program and Update

v1-00 • 2019-May-22

Content Guide

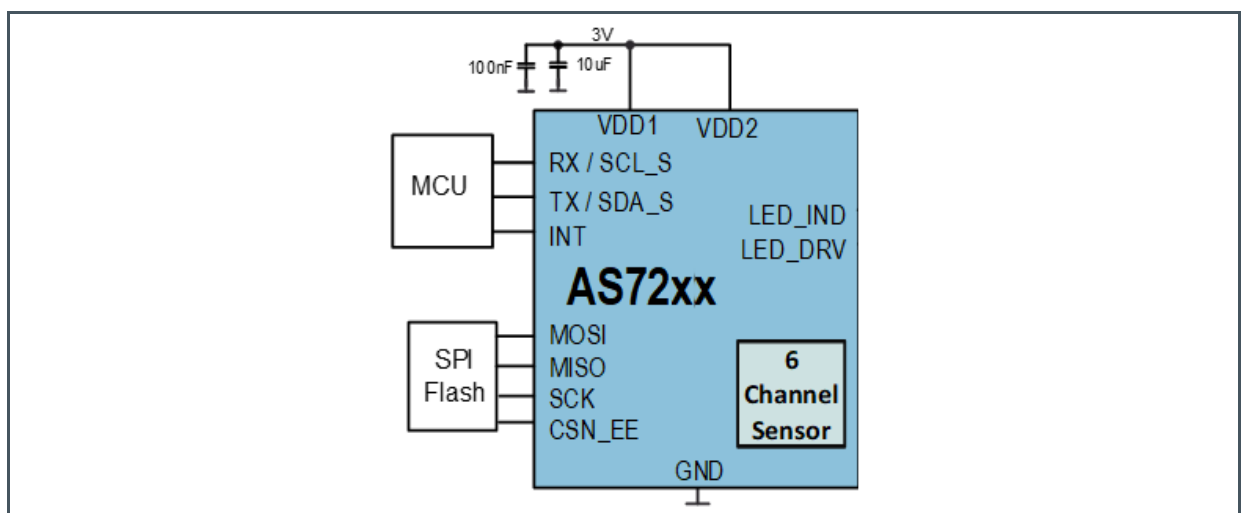
<p>1 General Description..... 3</p> <p>2 First Time Flash Programming 4</p> <p>3 Flash Updating..... 5</p> <p>4 Flash Updating Using the Special Update GUI 6</p> <p>5 Flash Updating Using the GUI UART 7</p>	<p>6 Flash Updating Using the FlashCatUSB Programmer 8</p> <p>7 Reset (RYNC/RESN) Pin Condition..... 9</p> <p>8 Revision Information..... 11</p> <p>9 Legal Information 12</p>
---	--

1 General Description

AS72xx products use a serial Flash memory programmed with a pre-designed firmware of **ams** (part of the product delivery) for standard sensor operations like register configuration, measurement, calibration and matching, communication and networking. After power on and during the boot operation, the Scotty internal firmware checks the availability of the Flash and then it works with the Flash firmware. Note, not all Flash types are can be used and the Flash memories must have defined technical parameters to work.

This Application Note describes using the AS72xx UART interface for updating the external program Flash. This app note applies to UART capable AS72xx devices: AS7211, AS7220, AS7221, AS7225, AS7261, AS7262, AS7263 and AS7265x.

Figure 1:
Block Diagram AS72xx with Connected MCU, Flash & Power Supply



2 First Time Flash Programming

Get the latest “*.bin” file (512KB) from **ams** for the specific AS72xx device. Have the **ams** approved serial Flash manufacturer (see Figure 2) or one of their distributors.¹ use the “*.bin” file to program the Flash for first time. They routinely provide this service. Alternatively use a Programming setup as to program the Flash (assumes programming tool access to the Flash is available. e.g. FlashCatUSB - see application note “AN_AS72xx How to Program Firmware with FlashCatUSB”).

In Figure 2 **ams** proofed Flash memories are listened which are recommend to use. They are characterized by the following properties, among others:

- Flash size: at minimum 4Mbit
- Address bits: 24
- SPI clock: 16MHz

Figure 2:
Flash and Manufacturer Approved by ams

Serial Flash	Manufacturer	Comment
M95M02-XXXX	ST Micro (Serial EEPROM ⁽¹⁾ , not Flash)	Only for firmware version v3.x and 4.0.xx
AT25SF041xx AT25DF041xx	Adesto Technology	No firmware restrictions
MX25L4006ExxI-12G	Macronix	No firmware restrictions
SST25PF040C	Microchip Technology	No firmware restrictions
W25X40CLSNIG	Winbond Electronics	No firmware restrictions
LE25U40CMD	ON Semiconductor	No firmware restrictions
GD25Q40C	GigaDevice	No firmware restrictions
FS25Q004F1	FORESEE	No firmware restrictions

(1) xx = alternative packages

(2) EEPROMs are not supported longer for Scotty firmware version higher than v3.x and 4.0.xx – for more details see the application note “EEPROM Updating using I²C”

After the programming for first time, an update for firmware will be possible also by a special GUI function in the test software. More details are in the document later or see the details in the user manuals for the test software.

¹ See for [adesto_3rd.Party.Memory.Device.Programmer.Sources_11.22.16.pdf](#)

3 Flash Updating

Several methods are possible to update a new firmware release to a programmed Flash memory in the **ams** test systems and evaluation boards (or similar customer boards). It is depending on the used hardware, the pro-programmed firmware version and the available tools. The following table gives an overview for possible programming methods for each AS72xx type depending on the re-programmed firmware version.

Figure 3:
Methods for Flash Updating ams Test Systems

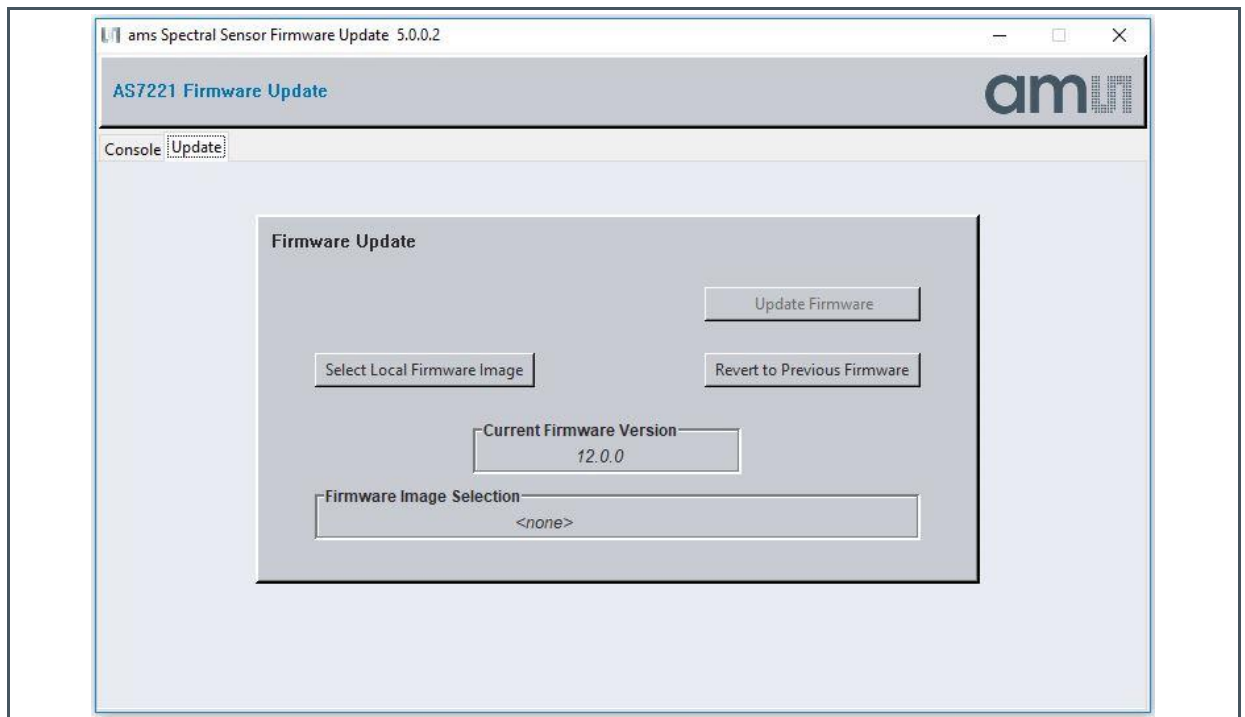
Sensor Name	FlashCatUSB Programmer Tool	Special Firmware Update GUI (UART Communication)	Sensor Test Software ⁽¹⁾ (I ² C or UART depending on the used software)
AS7261	All versions (*.bin 512 or 256KB)	2Vx.x – 11Vx.x (*.bin 56KB)	≥11Vx.x (*.bin 56KB)
AS7262	All versions (*.bin 512 or 256KB)	2Vx.x – 11Vx.x (*.bin 56KB)	≥11Vx.x (*.bin 56KB)
AS7263	All versions (*.bin 512 or 256KB)	2Vx.x – 11Vx.x (*.bin 56KB)	≥11Vx.x (*.bin 56KB)
AS7265 FW - Gen 1	All versions till 10Vx.x (AS7265_complete_moonlight.bin 256KB)	1V2.8 - 10Vx.x (*.bin 56KB) OR use the special AS7265_Complete_moonlight.bin for HW until 1Vx	1V2.8 - 10Vx.x (*.bin 56KB) OR use the special AS7265_Complete_moonlight.bin for HW until 1Vx
AS7265 FW - Gen 2 ⁽²⁾	Special AS7265_Complete_moonlight.bin for HW until 1Vx Standard ≥11Vx.x supported for HW 2Vx and higher	At least one time flashing with FlashCatUSB 11Vx.x or higher, then it will support update with 11Vx.x or higher in this method	At least one time flashing with FlashCatUSB ≥11Vx.x or higher, then it will support update with ≥11Vx.x
AS7221	All version (*.bin 256 KB)	4V0.x – 11Vx.x (*.bin 56KB)	4V0.x – ≥11Vx.x (*.bin 56KB)
AS7225	All version (*.bin 256 KB)	-----	≥12Vx.x

- (1) AS726x iSPI software v3.3.x for spectral sensor (I²C) and Dashboard v4.2.x for AS7265 and AS72xx smart lighting manager sensors (via UART)
- (2) Change in the pinning of AS7265, Please refer release-notes.txt of AS7265 for details

4 Flash Updating Using the Special Update GUI

AS72xx devices with UART can use the **ams** AS72xx Firmware Update GUI for updating the Flash. This GUI is described in a special application note “Firmware Update GUI”.

Figure 4:
ams AS72xxx Firmware Update GUI



5 Flash Updating Using the GUI UART

AS72xx devices can use defined AT commands for updating the Flash via standard programmer devices with UART interface. The latest 56KB “*.bin” file from **ams** for the specific AS72xx device must be available.

Figure 5 describes the AT commands for Flash Updating via UART. In this table, text appearing between angle brackets (<‘ and ‘>’) are commands or response arguments. A carriage return character, a linefeed character, or both may terminate commands and responses. Note that any command that encounters an error will generate an “ERROR” response.

Figure 5:
AT Commands for Flash Updating

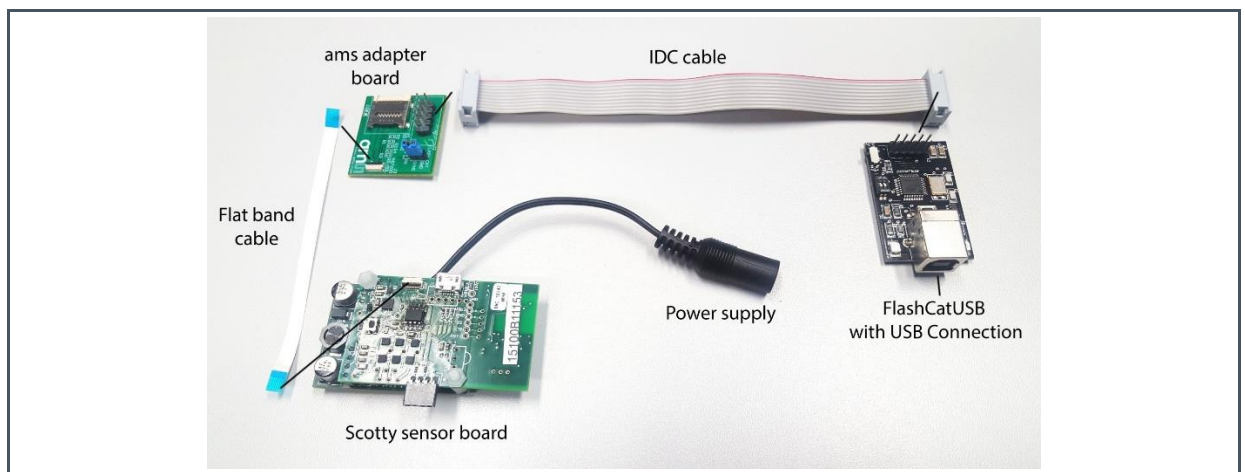
Command	Response	Description/Parameters
Firmware Update	Table text left aligned	Table text left aligned
ATFWU=<value>	OK	<value>= 16-bit checksum. Initializes the firmware update process. Number of bytes that follow are always 56 kBytes
ATFW=<value>	OK	Download new firmware Up to 7 bytes represented as hex chars with no leading or trailing 0x. Repeat command till all 56Kbytes of firmware are downloaded
ATFWA	OK	Causes target address for FW updates to advance. Should be called after every successful “OK” returned after “ATFW=<value>” command usage.
ATFWS	OK	Causes the active image to switch between the two possible current images and then resets the IC

Refer to the appropriate AS72xx datasheet for more AT Command information.

6 Flash Updating Using the FlashCatUSB Programmer

The FlashCATUSB is a commercial programming tool that can be used to program the firmware to the Flash in conjunction with **ams** test boards AS72xx Demo kits. See an example here for flash updating using the FlashCatUSB programmer. For more details and alternative setup please see the application note “How to program AS72xx firmware with FlashCatUSB”.

Figure 6:
Demo Board with FlashCatUSB Programmer and ams Adapter Board



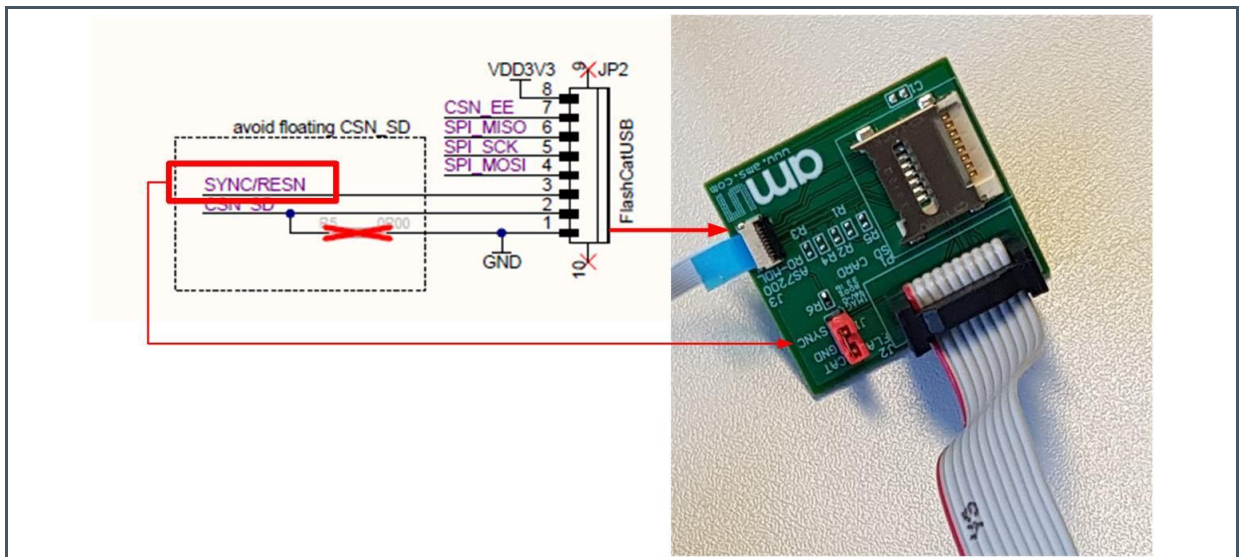
The system and procedure is described in an additional application note “AN_AS72xx How to Program AS72xx Firmware with FlashCatUSB”.

7 Reset (RYNC/RESN) Pin Condition

For First Time Flash Programming or Flash Updating using the FlashCatUSB Programmer when 256kb firmware file is needed, the AS72xx device SYNC/RESN pin must be active low or connected to GND.

Demo Kit with flat band cable: Depending on the version, the AS72xx boards have a 8-pin programmer connector onboard which connect the sensor device to the FlashCatUSB programmer via **ams** adapter board and flat band cable. The **ams** adapter board has a jumper that ties SYNC/RESN pin to GND.

Figure 7:
Jumper for Reset to GND

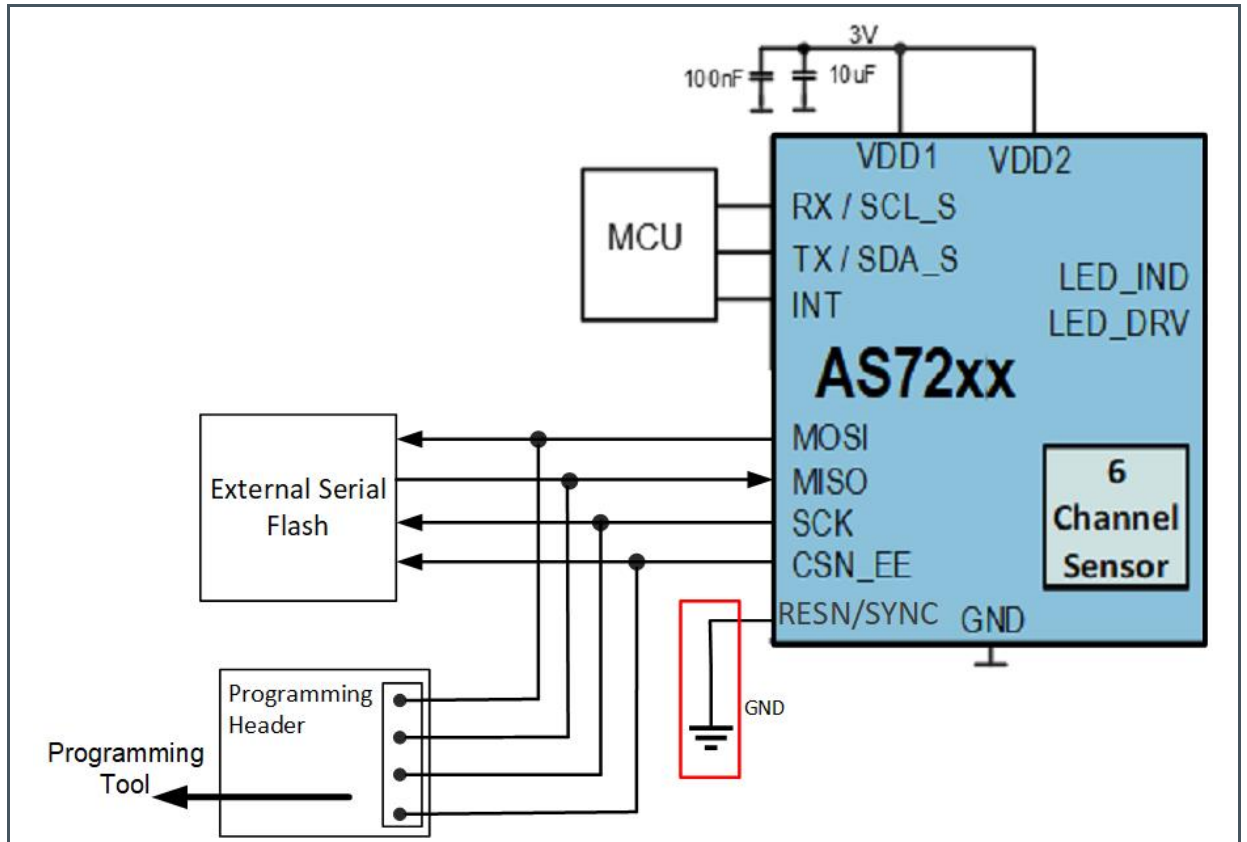


Demo Kit with Tag-Connector: New test boards have a 6 pole tag interface on the board which can be connected with the TC2030-clip. The Tag connector should be connected with the FlashCatUSB programmer via adapter board.

Note: Evaluation board version 1.0 requires specific requirement, e.g. RESN/SYNC pin should be connected to GND.

AS72xx chip: Make sure, the SYNC/RESN signal is active low during programming only (256kb firmware file) as shown in the figure (red mark).

Figure 8:
Reset during Programming



8 Revision Information

Changes from previous version to current revision v1-00	Page
Initial version	

- Page and figure numbers for the previous version may differ from page and figure numbers in the current revision.
- Correction of typographical errors is not explicitly mentioned.

9 Legal Information

Copyrights & Disclaimer

Copyright ams AG, Tobelbader Strasse 30, 8141 Premstaetten, Austria-Europe. Trademarks Registered. All rights reserved. The material herein may not be reproduced, adapted, merged, translated, stored, or used without the prior written consent of the copyright owner.

Information in this document is believed to be accurate and reliable. However, ams AG does not give any representations or warranties, expressed or implied, as to the accuracy or completeness of such information and shall have no liability for the consequences of use of such information.

Applications that are described herein are for illustrative purposes only. ams AG makes no representation or warranty that such applications will be appropriate for the specified use without further testing or modification. ams AG takes no responsibility for the design, operation and testing of the applications and end-products as well as assistance with the applications or end-product designs when using ams AG products. ams AG is not liable for the suitability and fit of ams AG products in applications and end-products planned.

ams AG shall not be liable to recipient or any third party for any damages, including but not limited to personal injury, property damage, loss of profits, loss of use, interruption of business or indirect, special, incidental or consequential damages, of any kind, in connection with or arising out of the furnishing, performance or use of the technical data or applications described herein. No obligation or liability to recipient or any third party shall arise or flow out of ams AG rendering of technical or other services.

ams AG reserves the right to change information in this document at any time and without notice.

RoHS Compliant & ams Green Statement

RoHS Compliant: The term RoHS compliant means that ams AG products fully comply with current RoHS directives. Our semiconductor products do not contain any chemicals for all 6 substance categories, including the requirement that lead not exceed 0.1% by weight in homogeneous materials. Where designed to be soldered at high temperatures, RoHS compliant products are suitable for use in specified lead-free processes.

ams Green (RoHS compliant and no Sb/Br): ams Green defines that in addition to RoHS compliance, our products are free of Bromine (Br) and Antimony (Sb) based flame retardants (Br or Sb do not exceed 0.1% by weight in homogeneous material).

Important Information: The information provided in this statement represents ams AG knowledge and belief as of the date that it is provided. ams AG bases its knowledge and belief on information provided by third parties, and makes no representation or warranty as to the accuracy of such information. Efforts are underway to better integrate information from third parties. ams AG has taken and continues to take reasonable steps to provide representative and accurate information but may not have conducted destructive testing or chemical analysis on incoming materials and chemicals. ams AG and ams AG suppliers consider certain information to be proprietary, and thus CAS numbers and other limited information may not be available for release.

Headquarters

ams AG
Tobelbader Strasse 30
8141 Premstaetten
Austria, Europe
Tel: +43 (0) 3136 500 0

Please visit our website at www.ams.com

Buy our products or get free samples online at www.ams.com/Products

Technical Support is available at www.ams.com/Technical-Support

Provide feedback about this document at www.ams.com/Document-Feedback

For sales offices, distributors and representatives go to www.ams.com/Contact

For further information and requests, e-mail us at ams_sales@ams.com