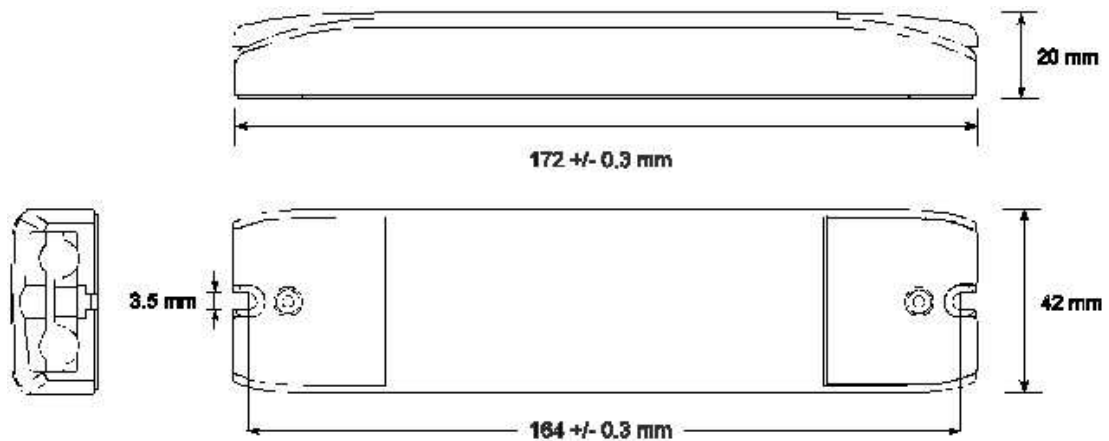
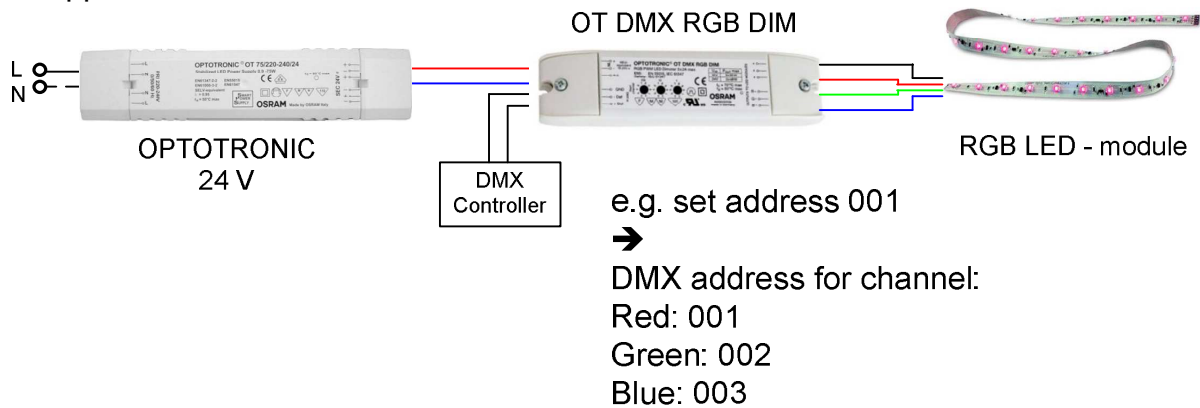


Geometry

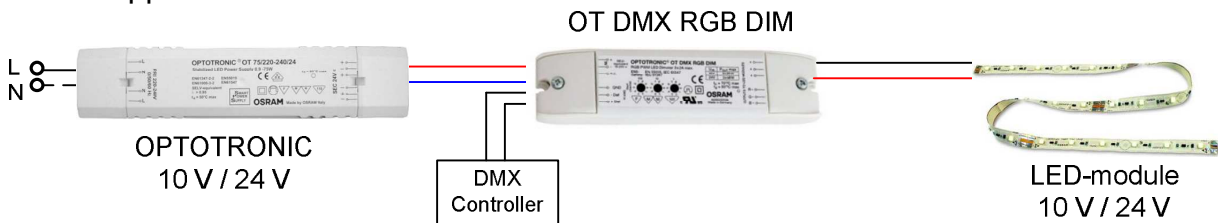


Wiring diagram

RGB application:



General application:



Integrated test function

Function check of the luminaire without a connection to a DMX signal.

Address adjustment 000 → 100 % light output

Address adjustment 901-000 → recall of the dimming values 1 - 100 %

Instruction sheet

Please consult the instruction sheet for further important information on dimming characteristic, wire stripping and wiring limitations in system installations. The instruction sheet is available upon request.