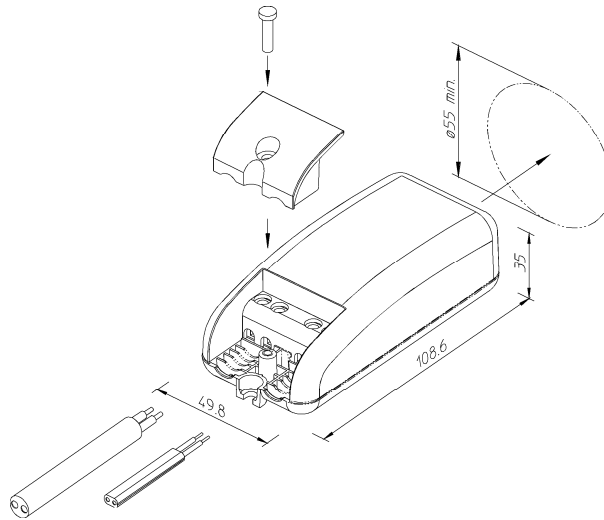


Geometry:



Wiring diagram:

