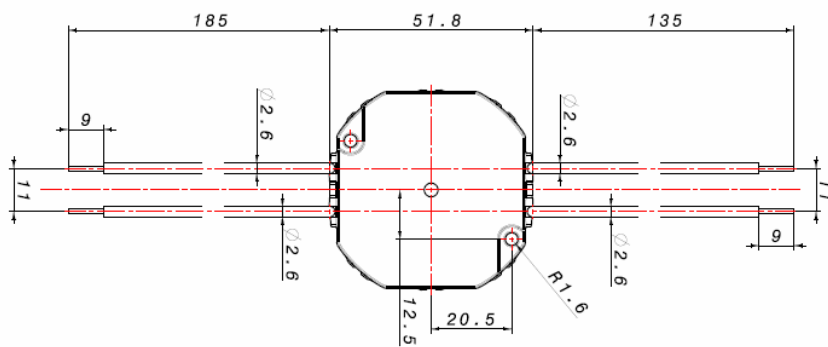
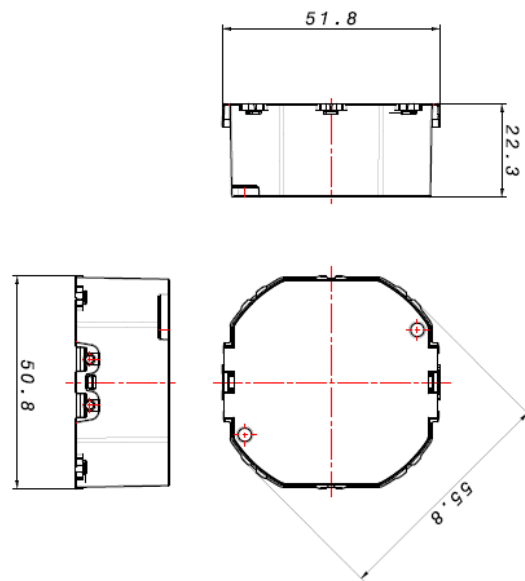
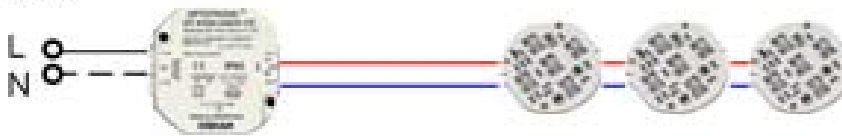


Geometry



Wiring diagram

220-240 V AC



OT 6/220-240/24 CE

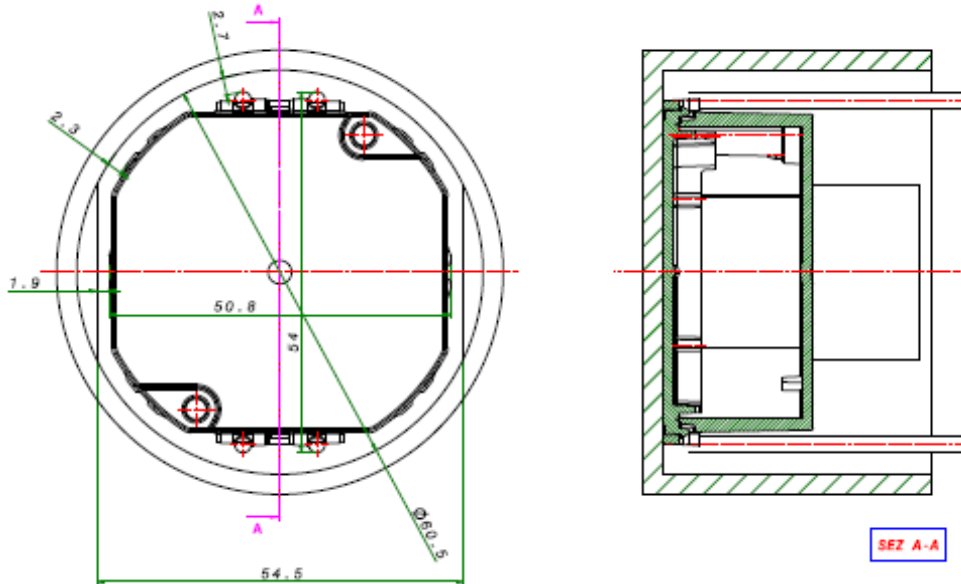
220-240 V AC



OT 6/220-240/10 CE

Installations notes

Mounting position in distribution box



Instruction sheet

Please consult the instruction sheet for further important information on dimming characteristic, wire stripping and wiring limitations in system installations. The instruction sheet is available upon request.

The luminaire manufacturer is responsible for providing the required clearances and creepage distances and also for the protection against electrical shock, especially for the line and load wires.