

Technical Information

No. DO 4341

Edition: 07/08 - subject to change

Supersedes 11/05

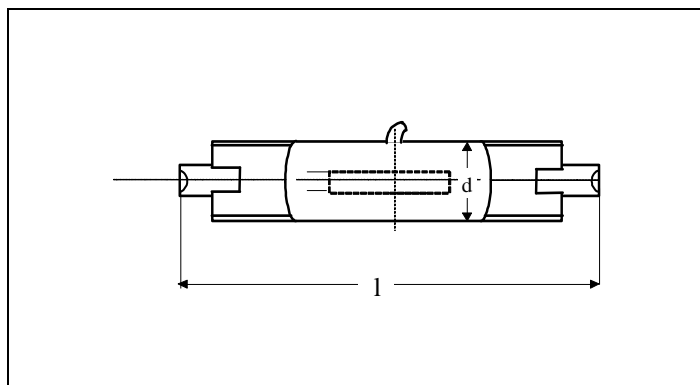
Status: valid

Tungsten Halogen Lamp
for Airfield Lighting

64340

■ Product description

The OSRAM 64340 is a double-ended lamp used for Airfield lighting



■ Technical data

Order reference		64340
LIF		J1/82
Maximum operation current	A	6.6
Base		R7s
Rated lamp wattage	W	100
Maximum initial wattage	W	108
Average life	h	1,000
Color temperature	K	2,900
Rated luminous flux	lm	2,170
Minimum initial luminous flux	lm	1,950
Luminous flux after 750 h	lm	min. 95% of initial value
Bulb diameter (d)	mm	max. 10.0
Length (l)	mm	max. 65.6
Filament type		C-6
Filament dimensions (w x h)	mm	6.5 x 2.7
Deviation of filament centre	mm	max. 1(refers to base axis)

■ Lamp operation

Burning position		horizontal
Maximum pinch temperature	°C	350
Chromaticity		within white boundaries as defined in Annex 14 to the Convention of International Civil Aviation