

# Technical Information

No. DO 5572

Edition: 10/08 - subject to change

Supersedes: Edition 08/07

Status: valid



# Metal Halide Lamp

## HMI® 575 W/DXS

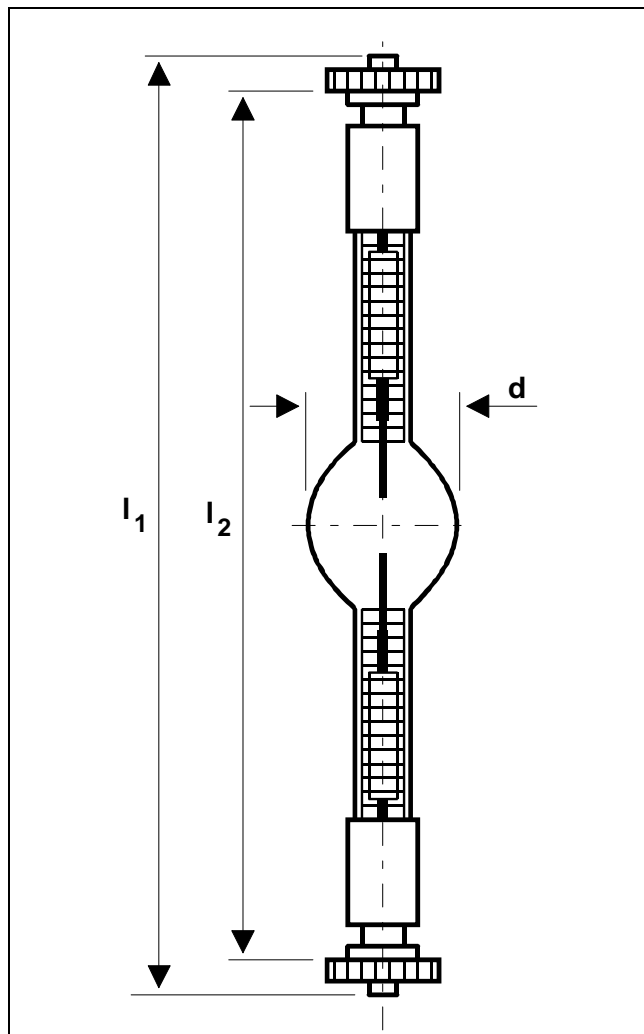
### ■ Product description

The OSRAM HMI® 575 W/DXS is a double-ended metal halide lamp. Due to its very short arc length a high luminance and efficacy is achieved. The OSRAM “eXtreme Seal” Technology enables higher pinch temperatures up to max. 450°C. The HMI® 575 W/DXS is designed for hot restart.

### ■ Technical data

Lamp / order reference	HMI® 575 W/DXS	
Rated lamp wattage	W	575
Lamp voltage	V	100 ± 10
Ignition voltage (cold, kHz-ign.)	kV <sub>s</sub>	4.5
Ignition voltage (cold/hot, MHz-ign.)	kV <sub>s</sub>	7 / 20 (max. 25 *)
Lamp current (-)	A	6.9
Luminous flux	lm	49,000
Luminous efficacy	lm/	85
Color temperature	K	6,000
Electrode gap e (cold)	mm	7
Lamp length l <sub>1</sub> (over all)	mm	max. 135
Lamp length l <sub>2</sub>	mm	115
Bulb diameter d	mm	21 (23,5)
Average service life	h	1,000
Base	SFc10-4	

\* minimum peak value of surge voltage



### ■ Lamp operation

Maximum permissible pinch seal temperature	°C	450 / with eXtreme Seal Technology (measured on Moly-foil/welding)
Cooling	Convection	
Burning position	any	

The HMI® 575 W/DXS can either be operated on standard ballasts or on electronic power supplies (ECG).

### ■ Manufacturers of igniters and control gear (not all officially approved by OSRAM)

Igniters:	BAG MZN 10.005; Bauch 250K; Hansmann ZG 500 PRO and ZG 501 PRO; Mitronic ZGV 40-11
Ballasts:	May & Christe Typ HMI 575 W; BAG 230BK575; Vossloh Schwabe J575.400; irem BE-575; Sachtler Ballast 575
ECGs:	LEJ ebm 575; Mitronic PE 400-575, CE 50-575, PFPE60 Line; Sachtler Netronic 575; Hansmann ER 575 and EFR 575; Schiederwerk 400/575, 575/700

Further information on operating and control device requirements is available with the OSRAM brochure "Guidelines for Control Gear and Igniters - Metal Halide Lamps Photo Optics", order reference 123T01E.