

Edition: 05/06 - subject to change

Supersedes: /
Status: valid

64583 (230/240V)

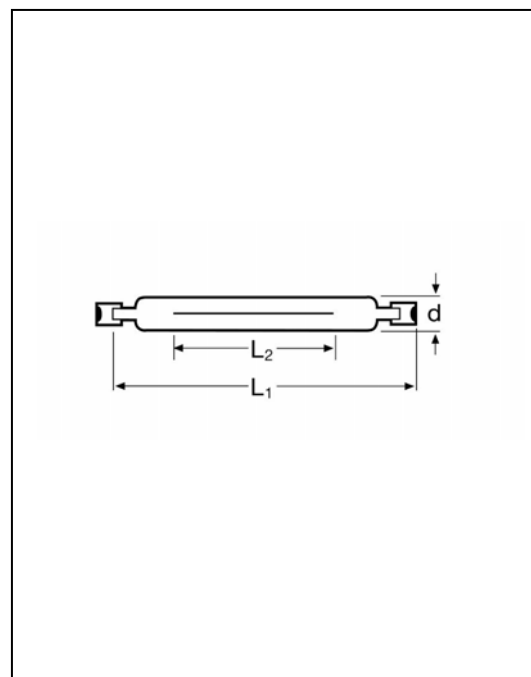
■ Product description

The OSRAM 64583 is typically used in photographic or film studios and theaters. The main applications are Cyclorama Lights and Halogen Softlights. The Cyc lights provide a uniform wash, which makes them especially suited to cyc and backdrop lighting. Softlights are indirect fill-lights that provide a very soft even wash of light.

■ Technical Data

Lamp / order reference	64583	
ANSI	-	
LIF	P2/20	
Rated lamp wattage	W	1000
Rated lamp voltage	V	230/240
Average life-time	h	200
Color temperature	K	3200
Luminous flux	lm	27000
Luminous efficacy	lm/W	32.04 (28.00*)
Base	R7s	
Diameter d	mm	10 max.
Lamp length L	mm	114.2 ± 1.6
Length of coil	mm	68
Type of coil	SC	

* referred to 240V



■ Lamp operation

Max. pinch seal temperature	°C	350°C max.
Burning position	s180	