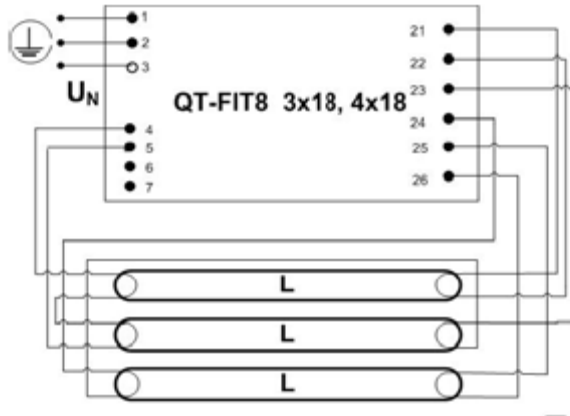


Lamp wiring | Lampenverdrahtung

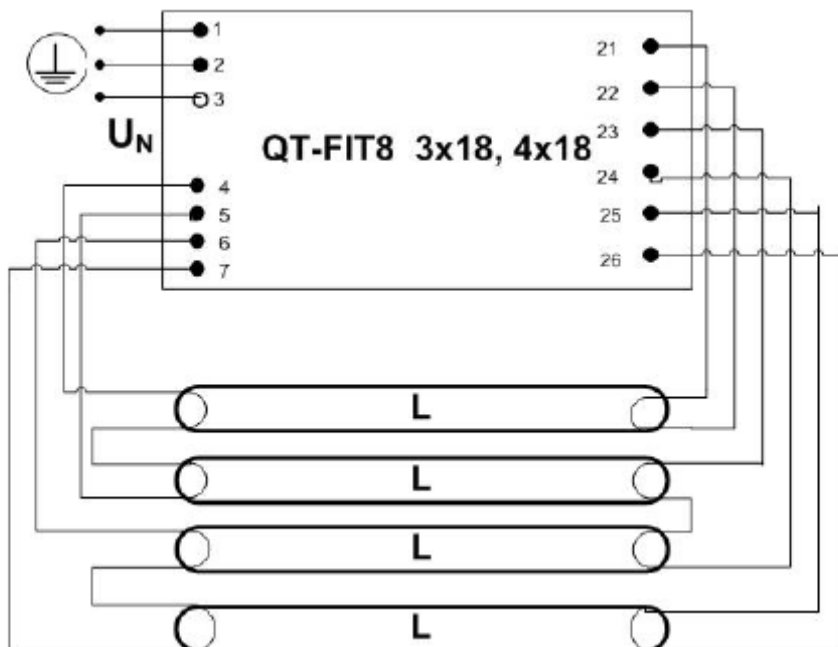
QT-FIT8 3x18, 4x18 – 3lamp version | 3-lampige Verdrahtung



Max. permitted cable length in between ECG and lamp: 1.0 m (PIN 25, 26); 1.5 m (PIN 4, 5, 21, 22, 23, 24)

Max. Leitungslänge zwischen EVG und Lampe: 1.0 m (PIN 25, 26); 1.5 m (PIN 4, 5, 21, 22, 23, 24)

QT-FIT8 3x18, 4x18 – 4lamp version | 4-lampige Verdrahtung



Max. permitted cable length in between ECG and lamp: 1.0 m (PIN 6, 7, 25, 26); 1.5 m (PIN 4, 5, 21, 22, 23, 24)

Max. Leitungslänge zwischen EVG und Lampe: 1.0 m (PIN 6, 7, 25, 26); 1.5 m (PIN 4, 5, 21, 22, 23, 24)