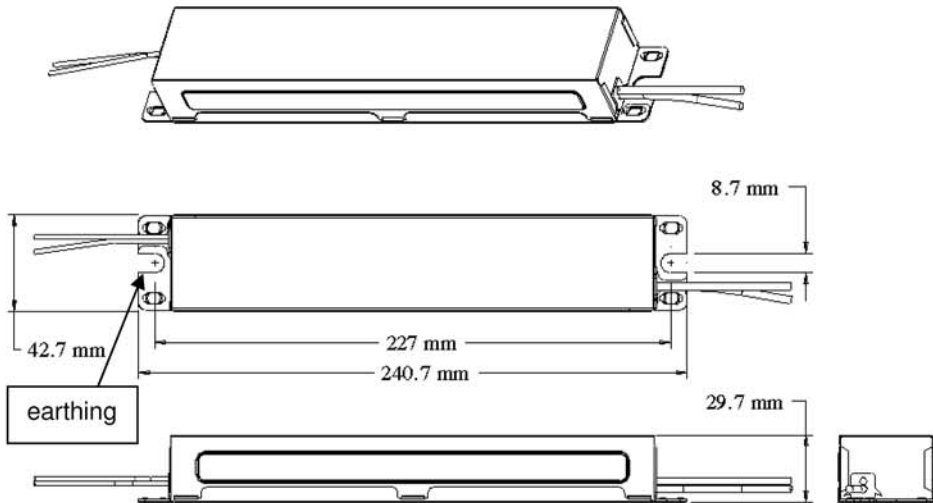
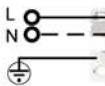


## Geometry



## Wiring diagram

220-240 V<sub>AC</sub>



OT 75/220-240/24 E



## Installation note

### Instruction sheet

Please consult the instruction sheet for further important information on dimming characteristic, wire stripping and wiring limitations in system installations. The instruction sheet is available upon request.

Case must be grounded with a mounting screw (see fig.)

Pay attention to the installation instructions which can be found in the packaging.