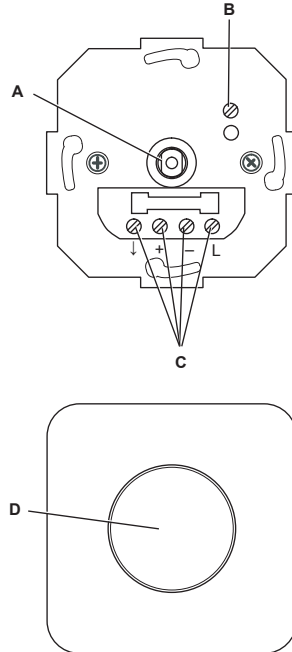


## DIM MCU



Manual control unit  
Operating instructions



### Description

### Purpose and application

The DIM MCU electronic potentiometer (manual control unit) controls up to 50 dimmable electronic control gears and enables the manual brightness control of luminaires. The potentiometer is mounted in flush device boxes.

### Function

The potentiometer converts rotations into 1...10V voltage signals, which are transmitted to the dimmable electronic control gears. Pressing on the rotary knob switches the mains voltage on/off via a relay.

### Design

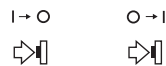
The potentiometer is made up of the following components:

- Rotary potentiometer (A)
- Connections (C)
  - Control lines (+, -)
  - Dimmed + switched phase (I)
  - Phase (L)
- Trimmer (B)
- Housing with rotary knob (D)

### Operation

#### Symbols

- |  |             |  |                       |
|--|-------------|--|-----------------------|
|  | Rotary knob |  | Short press (< 0.5 s) |
|  | Rotary knob |  |                       |



### Switching luminaire on and off

Via short press on rotary knob.

### Changing the brightness

To increase the brightness: Turn the rotary knob to the right.

To reduce the brightness: Turn the rotary knob to the left.



### Defining the minimum brightness value

- ① Switch on if necessary.
- ② Turn the rotary knob all the way to the left.
- ③ Remove the housing with the cover.
- ④ Turn the trimmer to adjust the minimum brightness.
- ⑤ Reattach the housing with the cover.

IV 2009  
DIM\_MCU\_ba0904en\_we1.01.indd

OSRAM GmbH  
Kunden Service Center  
Customer-Service-Center (CSC)  
Steinerne Furt 62  
86167 Augsburg  
Germany

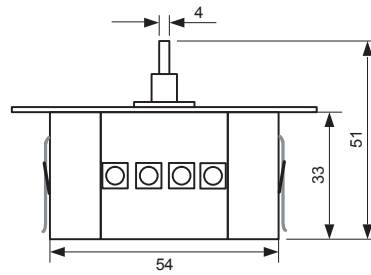
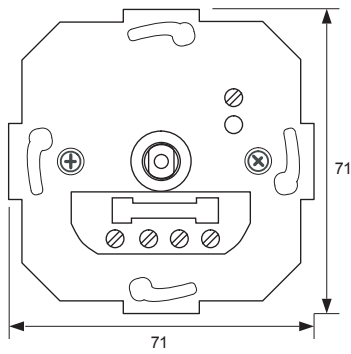
Tel : +49 (0) 1803 677 - 200  
(kostenpflichtig / charges apply)  
Fax.: +49 (0) 1803 677 - 202

www.osram.com  
www.osram.de



Technical data

Operating voltage	230 V AC, 50-60 Hz
Switching output load capacity	Max. 6 A resistive load (10 single-lamp ECGs or 5 two-lamp ECGs)
Control output load capacity	Max. 40 mA (max. 50 OSRAM 1...10V ECGs or 16 DIM SA signal amplifiers)
Permissible line cross section	Max. 1.5 mm <sup>2</sup>
Permissible ambient temperature	0 °C ... 50 °C
Protection type	IP 20
Protection class	II
Dimensions	Flush-mounted part (Ø x H): 54 x 33 mm Mounting plate (L x W): 71 x 71 mm



Dimensions