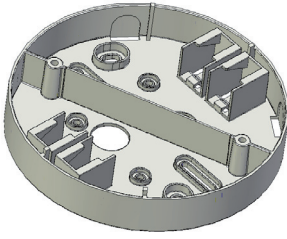


## Mounting Adapter



### Description

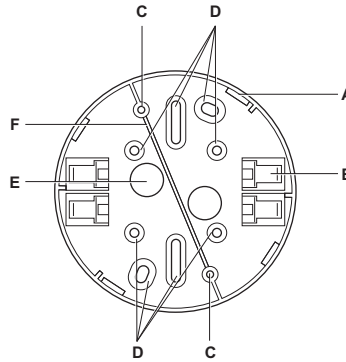
### Purpose and application

The mounting adapter ensures that OSRAM motion detectors specifically designed for this device can be simply and securely mounted in compliance with the CE guidelines.

### Design

The mounting adapter is made up of the following components:

- Removable cable guide through adapter wall (A)
- Holders for cable clamps (B)
- Screw holes for attaching the motion detector (C)
- Screw holes for wall mounting (D)
- Cable guide through adapter base (E)
- Removable partition wall (F)



## Mounting adapter for motion detector Fitting instructions

### Installation

### Safety instructions

The mounting adapter must only be installed and put into operation by a qualified electrician. The applicable safety regulations and accident prevention regulations must be observed.

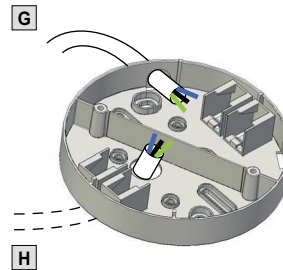


#### WARNING!

Exposed, live cables or damaged housing.

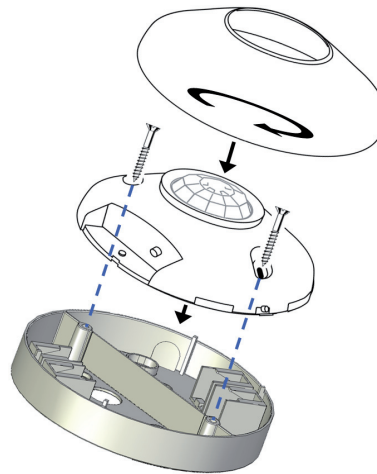
Danger of electric shock!

- Only work on the motion detector when it is de-energised.



### Procedure

- ① Select the installation location. Follow the fitting instructions of the motion detector.
- ② Insert the cable clamps in the holders (B).
- ③ Pass the connection cable through the cable guide:
  - Surface-mounting (G): use cable guide through adapter wall
  - Flush-mounting (H): use cable guide through adapter base
- ④ Attach the mounting adapter to the wall or ceiling via the screw holes (D).
- ⑤ Attach the connection cable to the cable clamps.
- ⑥ Attach the motion detector via the screw holes (C) on the mounting adapter. Follow the fitting instructions of the motion detector.



VI 2009

Mounting-Adapter\_ma0906en\_we1.01.indd

**OSRAM GmbH**  
Kunden Service Center  
Customer-Service-Center (CSC)

Steinerne Furt 62  
86167 Augsburg  
Germany

Tel : +49 (0) 1803 677 - 200  
(kostenpflichtig / charges apply)  
Fax.: +49 (0) 1803 677 - 202

[www.osram.com](http://www.osram.com)

[www.osram.de](http://www.osram.de)



4008321410078

Continued on the back page!

