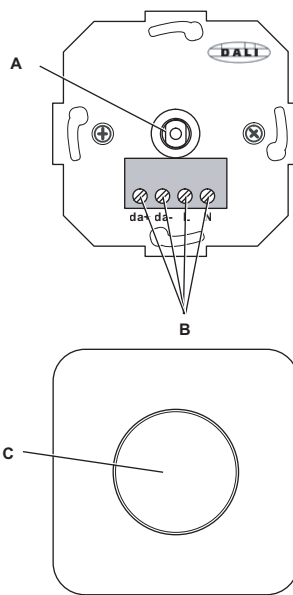


DALI MCU



Digital potentiometer Fitting instructions



Description

Purpose and application

The DALI MCU digital potentiometer controls up to 25 DALI electronic control gears and enables the manual operation of luminaires with a DALI interface.

The potentiometer is mounted in flush device boxes.

Function

The potentiometer converts rotations of and pressure on the rotary knob into DALI commands.

By switching multiple DALI MCU in parallel, the number of control locations or the number of controllable luminaires can be increased. If multiple potentiometers are switched in parallel, the commands of the potentiometer actuated last apply. Automatic synchronization makes it possible to change the control location without disturbing effects (e.g. brightness fluctuations).

The DALI MCU can be supplied directly from the DALI control line (= passive operation) or can deliver the required control current itself when connected to the mains voltage (= active operation).

Design

The potentiometer is made up of the following components:

- Rotary potentiometer (A)
- Connections (B)
 - Control line (da+, da–)
 - Neutral conductor (N)
 - Phase (L)
- Housing with rotary knob (C)

Installation

Safety instructions

The potentiometer must only be installed and put into operation by a qualified electrician. The applicable safety regulations and accident prevention regulations must be observed.



WARNING!

Exposed, live cables.

Danger of electric shock!

- Only work on the potentiometer when it is de-energised.

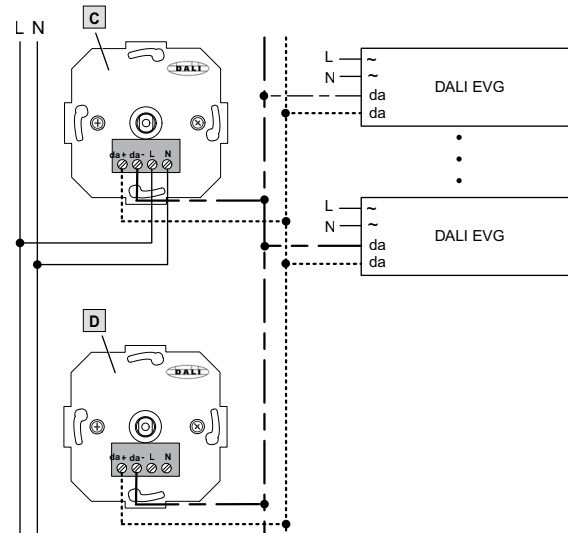
CAUTION!

Destruction of the potentiometer and other devices through incorrect mounting!

- The potentiometer is designed for mounting in flush device boxes. If mounted elsewhere, provide adequate cable strain relief and insulation.
- Do not wire the control line with an external voltage, especially not a mains voltage of 230 V.
- Do not exceed the maximum number of ECGs and total line length.



Installation (cont.)



Connecting the potentiometer

To control DALI ECGs, a maximum of 4 active potentiometers can be connected in parallel.

- 1 active potentiometer: max. 25 ECGs
- 2 active potentiometers: max. 50 ECGs
- 3 active potentiometers: max. 75 ECGs
- 4 active potentiometers: max. 100 ECGs

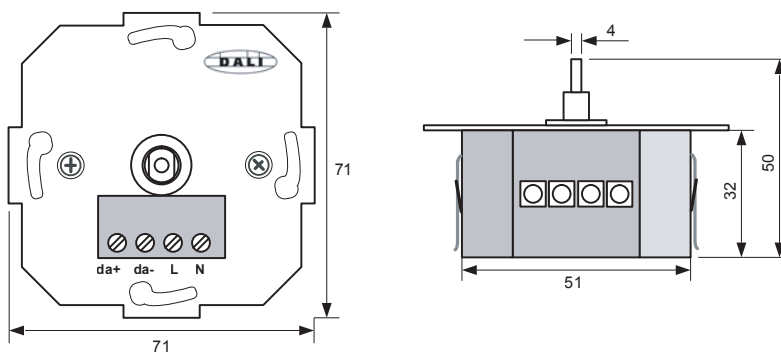
C Active potentiometer (with mains connection)

D Passive potentiometer (without mains connection)

Appendix

Technical data

| | |
|-------------------------------------|--|
| Operating voltage | 230 V AC, 50-60 Hz |
| Maximum total length of signal line | 300 m |
| DALI connection | Max. 25 DALI ECG with one active DALI MCU |
| Maximum power consumption | 3 W |
| Permissible line cross section | 1 – 4 mm ² |
| Permissible ambient temperature | 0 °C to 50 °C |
| Protection type | IP 20 |
| Protection class | II |
| Dimensions | Flush-mounted part (Ø x H): 51 x 32 mm Mounting plate (L x W): 71 x 71 mm |



Dimensions

The requirements as per EN 60928 und EN 61547 are fulfilled.



Conformity with the relevant EU directives is confirmed by the CE symbol.