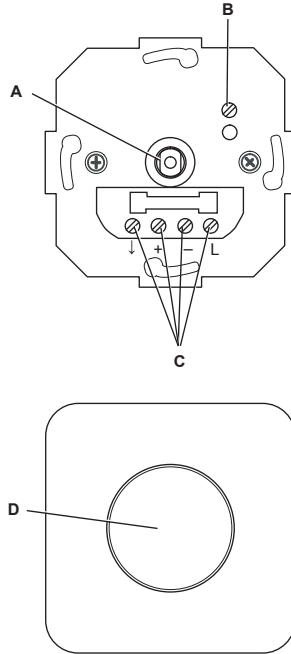


## DIM MCU



### Manual control unit Fitting instructions



### Description

### Purpose and application

The DIM MCU electronic potentiometer (manual control unit) controls up to 50 dimmable electronic control gears and enables the manual brightness control of luminaires.

The potentiometer is mounted in flush device boxes.

### Function

The potentiometer converts rotations of and pressure on the rotary knob into 1...10V voltage signals, which are transmitted to the dimmable electronic control gears.

### Design

The potentiometer is made up of the following components:

- Rotary potentiometer (A)
- Connections (C)
  - Control lines (+, –)
  - Dimmed + switched phase (I)
  - Phase (L)
  - Trimmer (B)
- Housing with rotary knob (D)

### Installation

### Safety instructions

The potentiometer must only be installed and put into operation by a qualified electrician. The applicable safety regulations and accident prevention regulations must be observed.



#### WARNING!

Exposed, live cables.

Danger of electric shock!

- Only work on the potentiometer when it is de-energised.

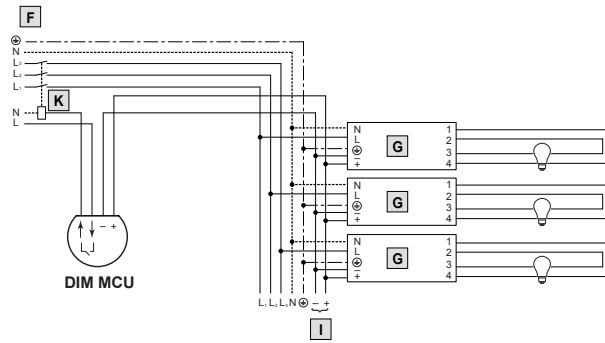
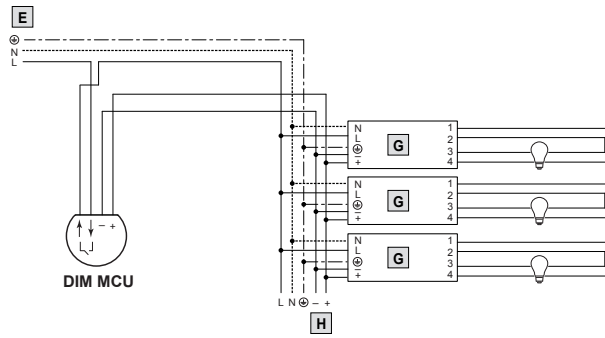
#### CAUTION!

Destruction of the potentiometer and other devices through incorrect mounting!

- The potentiometer is designed for mounting in flush device boxes. If mounted elsewhere, provide adequate cable strain relief and insulation.
- Do not wire the control line with an external voltage, especially not a mains voltage of 230 V.
- Do not exceed the maximum number of ECGs.



## Installation (cont.)



## Connecting the potentiometer

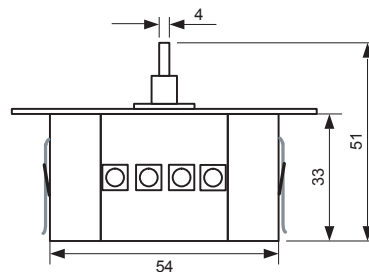
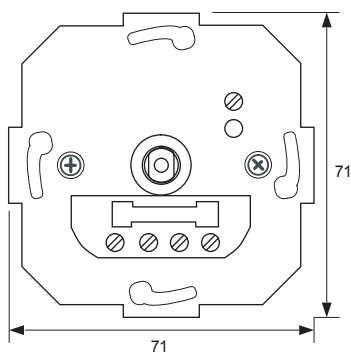
- E Connection diagram for up to 10 single-lamp or 5 two-lamp ECGs
- F Connection diagram for up to 50 dimmable ECGs

- G Dimmable ECG
- H Connect max. 10 single-lamp or 5 two-lamp ECGs
- I Connect max. 50 dimmable ECGs
- K Relay or contactor

## Appendix

## Technical data

Operating voltage	230 V AC, 50-60 Hz
Switching output load capacity	Max. 6 A resistive load (10 single-lamp ECGs or 5 two-lamp ECGs)
Control output load capacity	Max. 40 mA (max. 50 OSRAM 1...10V ECGs or 16 DIM SA signal amplifiers)
Permissible line cross section	Max. 1.5 mm <sup>2</sup>
Permissible ambient temperature	0 °C ... 50 °C
Protection type	IP 20
Protection class	II
Dimensions	Flush-mounted part (Ø x H): 54 x 33 mm Mounting plate (L x W): 71 x 71 mm



## Dimensions