

HIGH BAY



Motion detector Fitting instructions

Description

Purpose and application

The HIGH BAY motion detector detects the movements of people and vehicles, such as fork lifts.

The sensor is attached to ceilings and is ideal for mounting at great heights and for wide detection areas. The unit is mounted directly in a dry lining box or using the „Mounting Adapter“, optionally available from OSRAM, to ensure that the installation conforms to the CE guidelines.

The HIGH BAY motion detector can be connected to any control component with a floating input that is designed for permanent contact (switch).

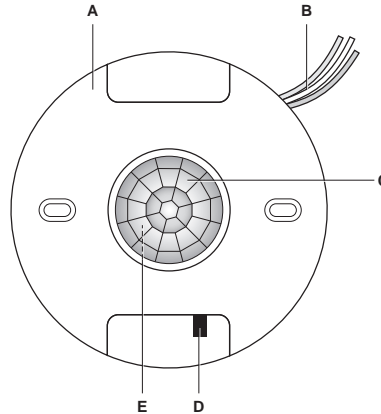
Function

The motion detector detects motion within a detection area of 360° and switches on the connected luminaires when motion is registered. When motion is no longer registered, the luminaires switch off after an adjustable delay period.

Design

The sensor is made up of the following components:

- Housing (A)
- Connection cable (B):
 - L: phase (black)
 - N: neutral conductor (blue)
 - Floating switch contact (2x white)
- Motion sensor (C)
- Button for setting the delay (D)
- LED (E)



Installation

Safety instructions

The motion detector must only be installed and put into operation by a qualified electrician. The applicable safety regulations and accident prevention regulations must be observed.



WARNING!

Exposed, live cables or damaged housing.

Danger of electric shock!

- Only work on the motion detector when it is de-energised.

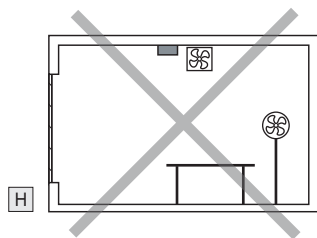
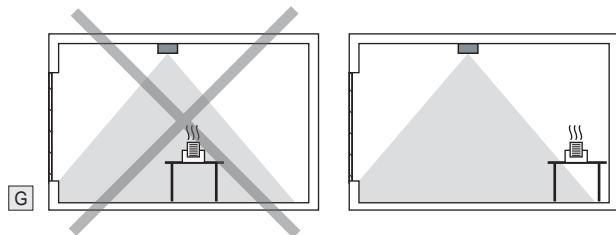
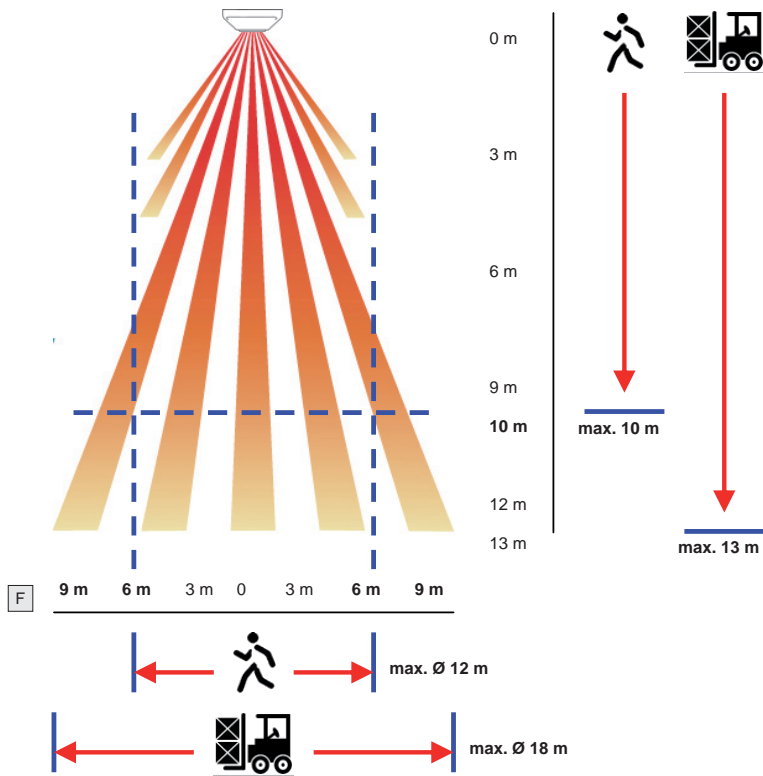
CAUTION!

Destruction of the motion detector and other devices through incorrect mounting!

- Adhere to the connection diagram.
- Do not exceed the maximum line length.
- Do not route sensor lines together with power supply or lamp lines.

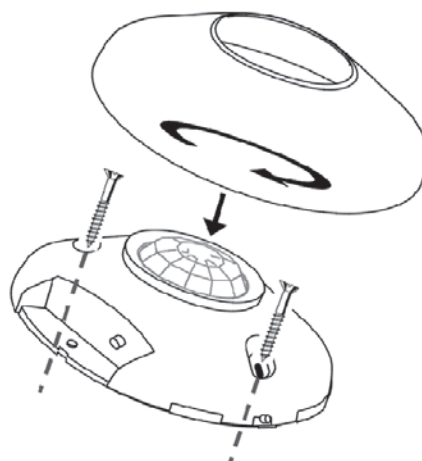


Installation (cont.)



Selecting the installation location

- F Maximum mounting height
- Detection of movement of persons: 10 m
(→ detection area Ø 12 m)
 - Detection of movement of vehicles: 13 m
(→ detection area Ø 18 m)
- G Place devices that radiate heat outside of the monitoring cone.
- H Avoid drafts (e.g. from ventilators)

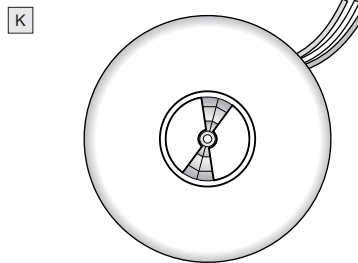
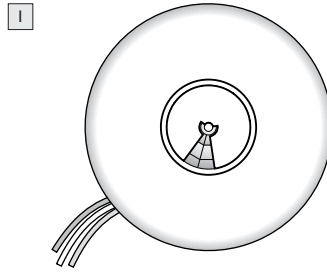


Attaching the motion detector to the ceiling

Note: The mounting adapter, available as an accessory, can be used for attachment. Follow the separate fitting instructions.

- ① Unlock and remove the plastic cover by turning it anticlockwise.
- ② Screw on the motion detector, using the mounting adapter as an aid, if necessary.
- ③ Connect the sensor; see the connection diagram.
- ④ Adjust the delay, if necessary; see the separate operating instructions.
- ⑤ Replace the plastic cover and lock it by turning it clockwise.

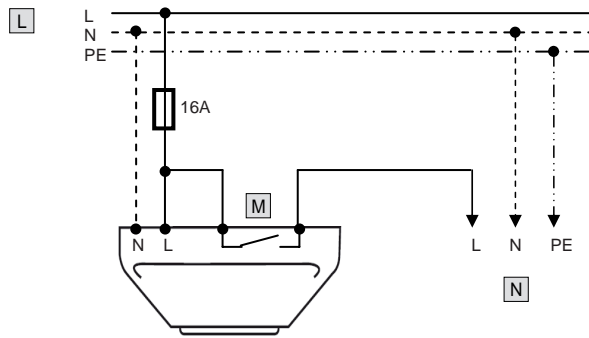
Installation (cont.)



Limiting the detection area

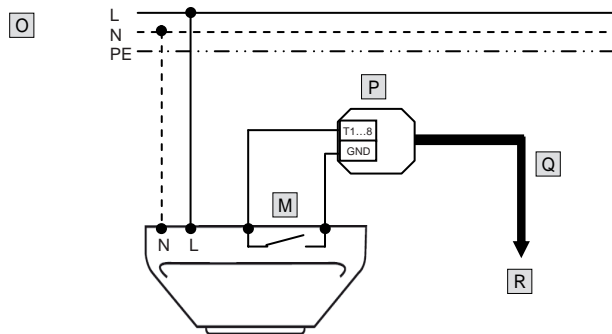
The supplied lens adhesives can be used to limit the detection area, e.g.:

- I End of passageway/corridor
- K Middle of passageway/corridor



Connection diagram

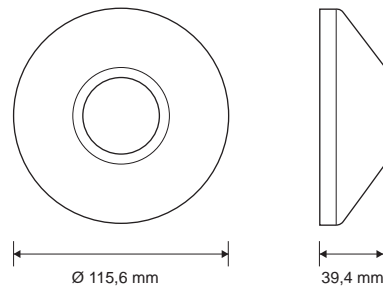
- L Variant 1: switching of mains voltage
- M Switch contact
- N Load (ECG, lamps, etc.)



- O Variant 2: floating switching (example with EASY PB Coupler)
- M Switch contact
- P EASY PB Coupler
- Q EASY control line
- R EASY control unit

Technical data

Operating voltage	120 V ... 277 V AC / 50-60 Hz
Fuse	External 16 A
Switch output	Floating switch contact
Switch output load capacity	Max. 5 A – 230 V Inductive load: 250 VA Ohmic lamp: 1200 W
	Max. number of ECGs: QTP5: 10 pcs. 1x14-35 8 pcs. 1x54 / 2x14-35 6 pcs. 2x80 / 2x54 QTP8: 10 pcs. 1x58 6 pcs. 2x58 QT-FIT8: 10 pcs. 1x58 / 1x36 6 pcs. 2x58 / 2x36 QTi: 15 pcs. 1x28/54 10 pcs. 2x28/54 6 pcs. 2x35/49/80
Operating temperature	-10 °C ... +70 °C
Protection type	IP 20
Dimensions (Ø x H)	115.6 x 39.4 mm



Dimensioned drawing

The EMC requirements to EN 55015 are fulfilled.

