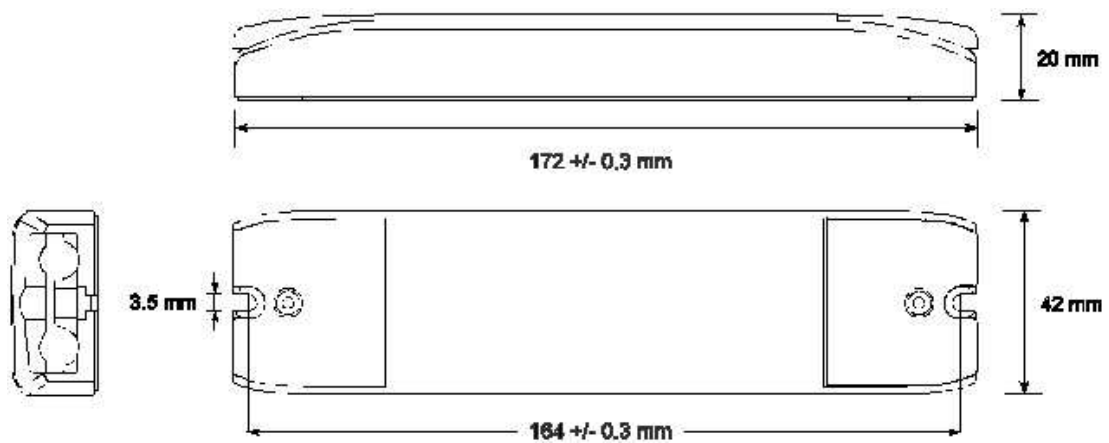
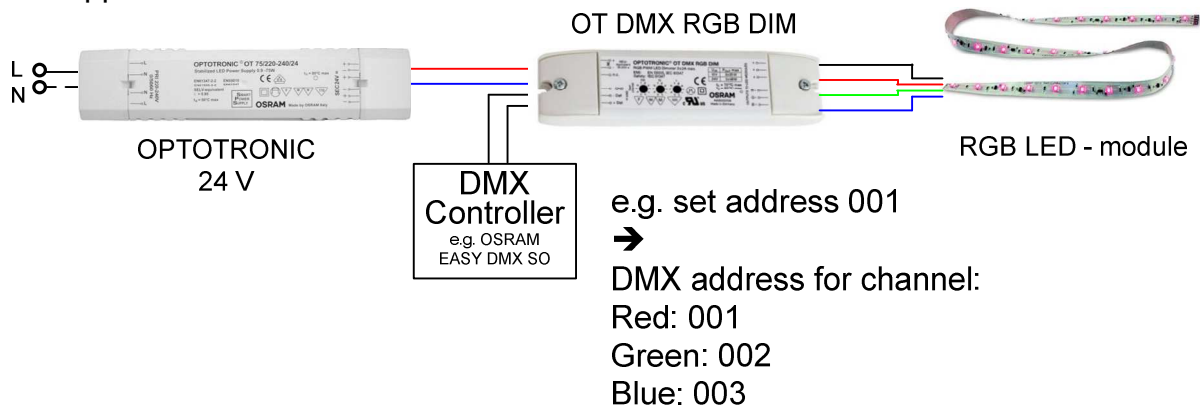


Geometry

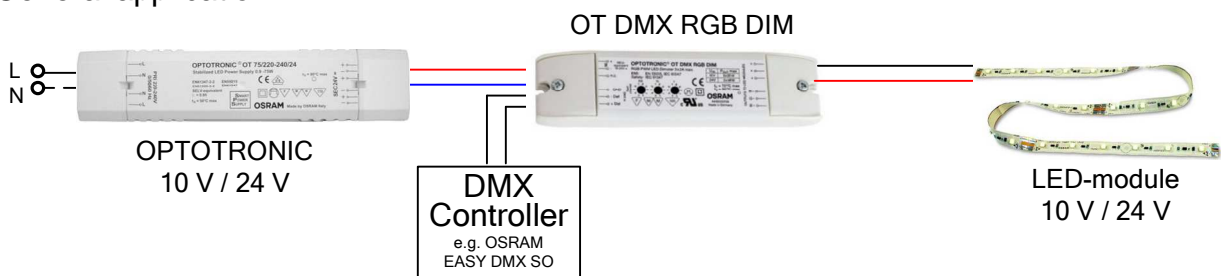


Wiring diagram

RGB application:



General application:



Integrated test function

Function check of the luminaire without a connection to a DMX signal.

Address adjustment 000 → 100 % light output

Address adjustment 901-000 → recall of the dimming values 1 - 100 %

Technical information

Please consult the technical information sheet for further important information.

Refer to OPTOTRONIC® Technical Guide for basics, operation and planning information.