

OPTOTRONIC®
OT DMX RGB DIM
RGB-control for LED-Modules
in Combination with OT Power Supply

**Technical
Information**

Edition: Sept. 2010
Subject to change

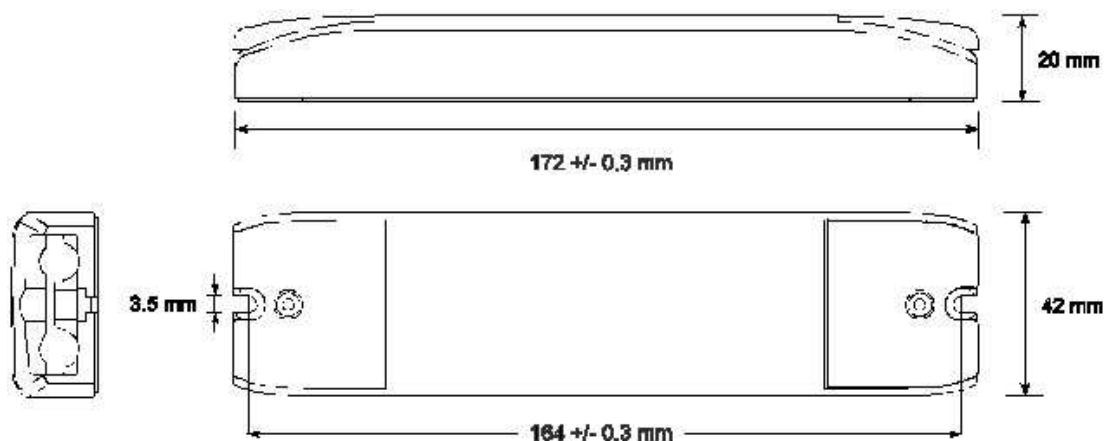
Technical data:

Reference	OT DMX RGB DIM
For LED modules:	With respect to the output conditions: LINEARlight Colormix; LINEARlight Colormix Flex, BACKlight and appropriate modules
Supply input voltage range nom.:	10,5 - 24 V DC
Supply input voltage range min - max:	9,5 - 25 V DC
Supply input current max:	6,0 A
Power losses:	< 4 W
Control:	DMX (SELV equivalent)
Protocol specification	USITT DMX-512A, DMX512 (DIN 56930-2)
Electrical specification	ANSI/TIA/EIA-485-A-1998
Galvanic separation	No, SELV required (acc. to EIA-485)
Maximum voltage range (control input) without destruction of the device	-7 – +12VDC
Start channel assignment	3 decimal code switches (100/10/1)
Dimming modus:	PWM
Dimming range	0-100%
Dimming curve	approximate to EN 60929:2004 E.4.3.7
Output current max:	2 A for each channel
Output load range:	0 - 21 W per channel @ 10,5 V DC / 0 - 48 W per channel @ 24 V DC
Safety:	IEC 61347-2-11
In combination with OPTOTRONIC:	
Radio interference:	EN 55015
Immunity:	IEC 61547
Temperature range:	-20 °C to +50 °C
Max. case temperature T _c	70 °C
No-load proof:	Yes
Short circuit protection:	Yes, electrically reversible for each channel
Overload protection:	Yes, electrically reversible for each channel
Overheating protection:	Yes
Supply input wire cross section:	0,75 mm ² to 1,5 mm ²
Input wire type	NYM 3x1,5 mm ² / H03VV-F2x0,75 mm ²
Supply input connections:	1 pair of screw terminals with covering and strain relief
Control wire type	NYM 3x1,5 mm ² / H03VV-F2x0,75 mm ²
Control connections:	1 pair of screw terminals with covering and strain relief
Output wiring cross section:	0,75 mm ² to 1,5 mm ²
Outout wire type	NYM 3x1,5 mm ² / H03VV-F2x0,75 mm ²
Output connections:	6 screw terminals with covering and strain relief
Geometry (l x w x h):	172 mm x 42 mm x 20 mm
Fixing screw:	∅ 3mm or ∅ 3.5mm
Approvals:	CE; cUR _{us}

OPTOTRONIC®
OT DMX RGB DIM
 RGB-control for LED-Modules
 in Combination with OT Power Supply

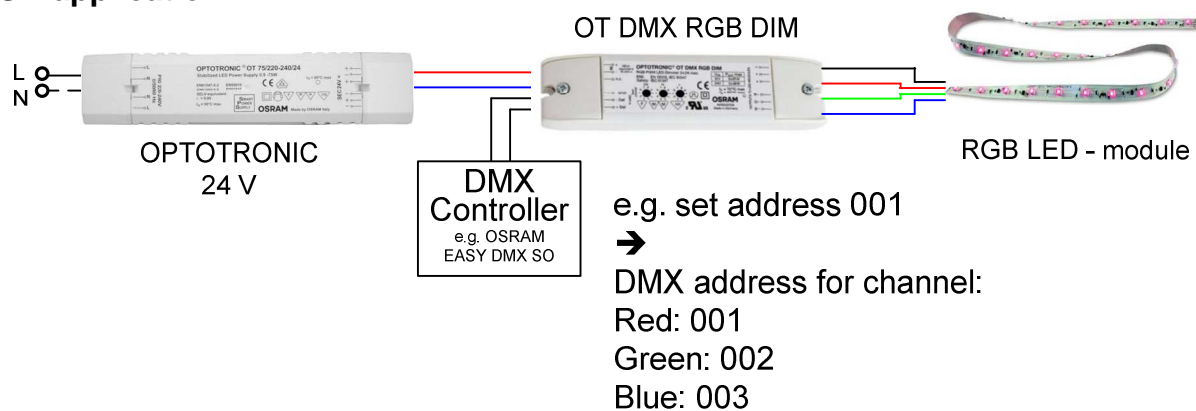
Technical
 Information
 Edition: Sept. 2010
 Subject to change

Geometry:

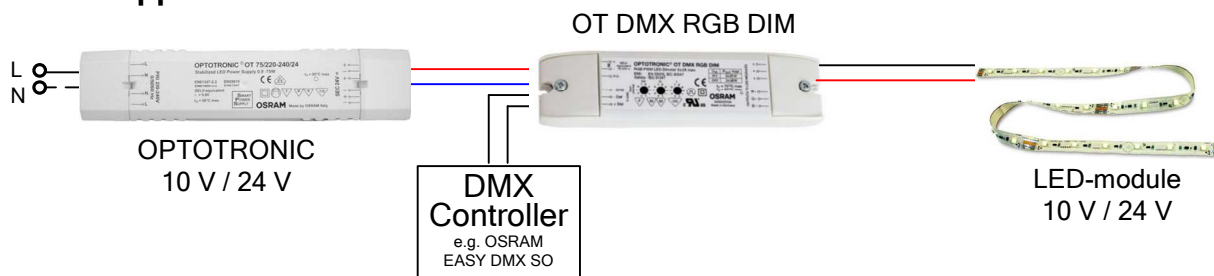


Wiring diagram

RGB application:



General application:



Integrated test function:

Function check of the luminaire without a connection to a DMX signal.
 Address adjustment 000 → 100 % light output
 Address adjustment 901-000 → recall of the dimming values 1 - 100 %