

# QUICKTRONIC® PROStart® T5HO

0.80BF Universal Ballast  
Professional Series



**Programmed Rapid Start**  
**0.80BF QUICKSTEP® Series**

**QS BI-LEVEL & QTP T5HO**

## Lamp / Ballast Guide

54W T5HO – PENTRON® lamps\*  
2-lamp: QTP2x54T5HO/UNVPS80SC  
QS2x54T5HO/UNVPS80SC

Also operates:  
FT55DL

\* Not to be used with Energy Saving T5HO lamps

## Key System Features

- QUICKSTEP Stepped Switching bi-level dimming
- Universal voltage (120-277V)
- QUICKSENSE® ballast technology (end-of-lamp-life sensing)
- PROStart programmed rapid start
- Operates at >42 kHz to reduce potential interference with infrared control systems
- High power factor (>98%)
- <10% THD total harmonic distortion at full power
- UL, CSA, FCC
- Small can enclosure
- RoHS compliant
- Lead-free solder, printed circuit board and manufacturing process



## Application Information

**QUICKTRONIC T5HO ballasts** are ideally suited for:

- Office
- Schools
- Commercial
- Retail
- Hospitality
- Institutional
- New construction
- Renovations

QUICKTRONIC PROStart T5HO 0.80BF ballasts operate PENTRON T5HO ECOLOGIC lamps. The ballast is tuned to provide a unique 0.80 ballast factor, providing 20% energy savings over conventional 2 lamp 54W T5HO systems. The system includes SYLVANIA's new line of QUICKSTEP stepped switching ballasts. QUICKSTEP ballasts are specially designed to meet California Energy Commission's Title 24 requirements for multi-level lighting controls (Section 131). The combined lamp and ballast system offers high performance features that are standard on OSRAM's Professional Series of ballasts.

QUICKTRONIC PROStart T5HO ballasts contain QUICKSENSE ballast technology, a patented circuitry designed to shut down the system reliably and safely when lamps reach end-of-life.

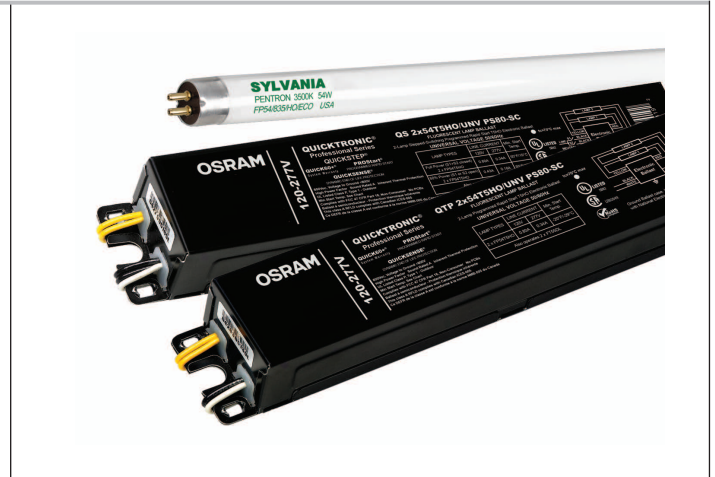
These ballasts are also RoHS compliant and feature lead-free solder, printed circuit boards and manufacturing process.

## System Information

QUICKTRONIC PROStart T5HO 0.80BF Systems operate from 120V through 277V, 50/60 Hz, eliminating "wrong voltage" wiring errors and reducing the number of models in inventory by half.

The QUICKSTEP system has two AC line inputs in addition to the neutral wire. These AC line inputs must be connected to the same phase of the line voltage. The two line inputs can be configured to provide a bi-level light output system by wiring the system with two switches. Each switch provides 50% power to the ballast. When both switches are on, the lamps operate at full light output.

When either switch is off, the lamps operate in a dimmed mode and the ballast factor is reduced by 50%. In addition, system power is reduced to levels that are compliant with Section 131b-California Title 24.



Setting the standard for quality, QUICKTRONIC PROStart T5HO Professional and QUICKSTEP series are covered by the QUICK 60+® warranty, the first and most comprehensive system warranty in the industry.

QUICKTRONIC PROStart T5HO 0.80BF is available as a two-lamp model in either a Professional or QUICKSTEP version, to cover a wide range of applications.

| System Comparisons                        | Input Power (W) | Initial System Lumens | System Efficacy LPW |
|---|-----------------|-----------------------|---------------------|
| QS2x54T5HO/UNV PS80SC - FP54T5HO (2 lamp) | 96              | 8000                  | 83                  |
| QTP2x54T5HO/UNV PSN - FP54T5HO (2 lamp)   | 121             | 10,000                | 83                  |
| F32T8- 3 lamp Instant Start Electronic    | 88              | 7525                  | 86                  |

Alternatively, QUICKSTEP ballasts can be controlled by occupancy sensors allowing for customized zone controls and various energy saving configurations.

PROStart ballasts deliver optimum starting conditions to provide up to 100,000 switching cycles for use on occupancy sensors and building control systems.

QUICKSENSE ballast technology helps to protect against overheated bases and sockets, as well as cracking of the glass wall, and uses dynamic end-of-lamp-life sensing to avoid false shutdowns caused by some static sensing methods. QUICKSENSE ballast technology will auto reset when the end-of-life lamps are replaced with new ones.

**SPECIFICATION DATA**

|           |             |      |
|-----------|-------------|------|
| Catalog # | Date        | Type |
| Project   | Prepared by |      |
| Comments  |             |      |

**0.80BF Fixed Output and QUICKSTEP® (Bi-Level) Dimming Systems (120-277V)**

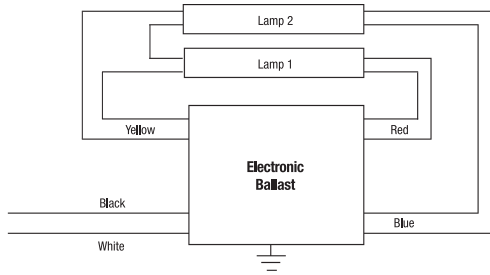


| Item Number                                | Description            | Input Current (AMPS) | Lamp Type | Rated Lumens (lm) | No. of Lamps | Ballast Factor (BF) | System Lumens | Mean Lumens | Input Power (W) | System Efficacy (lm/W) | BEF <sup>2</sup> |
|--|------------------------|----------------------|-----------|-------------------|--------------|---------------------|---------------|-------------|-----------------|------------------------|------------------|
| <b>QTP Fixed Output BF 0.80</b>            |                        |                      |           |                   |              |                     |               |             |                 |                        |                  |
| 49418                                      | QTP2x54T5HO/UNV PS80SC | 0.80/0.34            | FP54T5HO  | 5000              | 2            | 0.80                | 8000          | 7440        | 96/93           | 83/86                  | 0.86             |
| <b>QUICKSTEP Bi-Level Switchable Model</b> |                        |                      |           |                   |              |                     |               |             |                 |                        |                  |
| 49419                                      | QS2x54T5HO/UNV PS80SC  | 0.80/0.34            | FP54T5HO  | 5000              | 2            | 0.80                | 8000          | 7440        | 96/93           | 83/86                  | 0.86             |
|  |                        | 0.44/0.19            | FP54T5HO  | 5000              | 2            | 0.40                | 4000          | 3720        | 52/51           | 77/78                  | 0.78             |

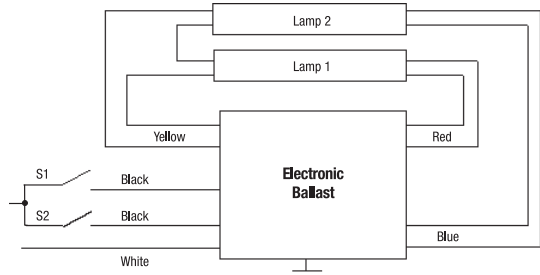
<sup>1</sup> At 35°C lamp ambient temperature.  
<sup>2</sup> Ballast Efficiency Factor (BEF) shown = (Ballast Factor x 100) divided by Input Power (Note: calculation based on lowest wattage value).

**Installation Notes**

- Install in accordance with National & Local Electrical Code
- Ground ballast case
- For QUICKSTEP ballasts, the AC line inputs must be connected to the same phase of the line voltage
- **DO NOT CONNECT** two separate phases of line voltage to the input of QUICKSTEP ballasts, the ballast will be damaged and not covered by warranty



**2-Lamp QTP**  
Fixed output only

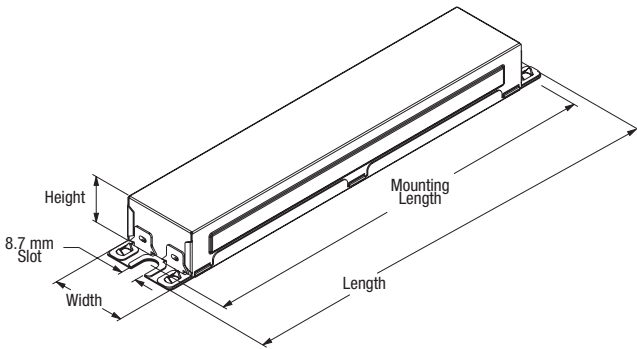


**2-Lamp QS (QUICKSTEP)**  
Full light output (full power) S1 & S2 closed (on)  
Bi-level mode S1 or S2 open (off)

**Dimensions:**  
**Small Can (SC) enclosure size:**  
 Overall: 9.5" L x 1.68" W x 1.18" H  
 Mounting: 8.90"

**Wiring:**  
 Leads only

**Packaging:**  
 Quantity: 10 pcs  
 Weight: 1.6 lbs each (approx.)



|                 |       |    |     |    |   |          |      |    |                         |
|-----------------|-------|----|-----|----|---|----------|------|----|-------------------------|
| Item Number     | 49419 | QS | 2 x | 54 | / | T5HO/UNV | PS80 | SC | Case Size               |
| QUICKSTEP       |       |    |     |    |   |          |      |    | Starting/Ballast Factor |
| Number of Lamps |       |    |     |    |   |          |      |    | Line Voltage (120-277V) |
|                 |       |    |     |    |   |          |      |    | Primary Lamp Wattage    |

**T5 PROStart®**

**Professional Series**

**Performance Guide**

Data based upon SYLVANIA PENTRON® HO lamps shown. QUICKTRONIC® T5HO 0.80BF and QUICKSTEP ballasts are also compatible with other lamp manufacturers equivalent lamp types that meet ANSI standards. Not to be used with Energy Saving T5HO lamps.

**Specifications**

**Starting Method:** Programmed Rapid Start  
**Circuit Type:** Series  
**Lamp Frequency:** >42 kHz  
**Lamp CCF:** Less than 1.7  
**Starting Temp:** 50°F (10°C) min.  
**Input Frequency:** 50/60 Hz  
**Low THD:** <10% (Full power)  
 <20% THD (@50% power)  
**Power Factor:** >98% (Full power)  
**Voltage Range:** ±10% of Rated Input  
  
 UL Listed Class P, Type 1, Outdoor, CSA Certified  
 70°C Max Case Temperature  
 FCC 47CFR Part 18 Non-Consumer Class A+ Sound Rating  
 RoHS Compliant<sup>3</sup>  
 ANSI C62.41 Cat. A Transient Protection  
 Dynamic End-of-Lamp-Life Sensing  
 Remote Mounting (Max. wire length from ballast case to lampholder): up to 10ft  
  
<sup>3</sup> Complies with European Union Restriction of Hazardous Substances Directive (Directive EC 2002/95)

**System Life / Warranty**

QUICKTRONIC products are covered by the QUICK 60+® warranty, a comprehensive lamp and ballast system warranty. For additional details, refer to the QUICK 60+ warranty bulletin.

**OSRAM SYLVANIA**  
**National Customer Service and Sales Center**  
 1-877-636-5267  
 www.osram.us/ds  
 ds.warranty@osram.com

Specifications subject to change without notice.



OS BI-LEVEL & QTP T5HO