

LED COMFO® Ace Downlight Datasheet



LED COMFO® Ace Downlight series offers a full range of options from 2.5" to 4", providing comfortable lighting experience with affordable initial investment. The series is an ideal replacement for traditional CFL downlights with up to 60% energy saving.

Benefits

Comfortable lighting

- Good lighting quality with Seoul LED solution
- 90° wide beam angle

Efficient CFL replacement

- Save 60% energy comparing to CFL
- 2 times longer lifetime

Metal Housing

- Unique OSRAM ID design

Applications

- General vertical illuminations
- Living rooms
- Bedrooms
- Cabinets
- Corridors

LED COMFO® Ace Downlight

Technical Data

Optical Specifications

		2.5"	3"	3.5"	4"
Luminous Flux	3000K	175 lm	275 lm	350 lm	450 lm
	4000K	180 lm	303 lm	385 lm	495 lm
	6500K	180 lm	303 lm	385 lm	495 lm
Efficacy	3000K	50 lm/W	50 lm/W	50 lm/W	55 lm/W
	4000K	51 lm/W	55 lm/W	55 lm/W	60 lm/W
	6500K	51 lm/W	55 lm/W	55 lm/W	60 lm/W
CCT		3000K, 4000K, 6500K			
CRI		>80			
SDCM		5			
Beam Angle		90°			

Electrical and Mechanical Specifications

Input Voltage	220-240V AC 50/60Hz			
Power Consumption	3.5W	5.5W	7W	8W
Power Factor	>0.4	>0.4	>0.4	>0.9
Dimensions (ØD × H)	84mm × 60mm	96mm × 60mm	112mm × 65mm	125mm × 65mm
Weight	60g	77g	91g	116g
Cover Lens	PC diffuser			
Housing	Aluminium housing, white			

System Specifications

Power	AC line			
Dimmable	ON/OFF only			
Installation Height	90mm	90mm	95mm	95mm
Mounting Hole	70mm	85mm	95mm	105mm
Suitable Ceiling Thickness	2 to 25mm			
Operating Temperature	-20°C to +35°C			
Storage Temperature	-20°C to +80°C			
Environment	Indoor (IP20)			
Lumen Maintenance	L70 @25°C - 15,000hrs			
Safety Approval	Electrical Protection Class II, CB, CCC, Photo-biological safety, RoHS			

Due to the special conditions of manufacturing process of LED, the typical data of technical parameters can only reflect statistical figures and do not necessarily correspond to the actual parameters of each single product which could differ from typical data.

Exceeding maximum ratings for operation voltage will cause hazardous overload and will likely destroy the LED module.

Exceeding maximum ratings for operation and storage temperature will reduce expected life time or destroy the LED module.

09/16 V1.0 · Specifications are subject to change without notice. Errors and omission excepted, always make sure to use the most recent release.

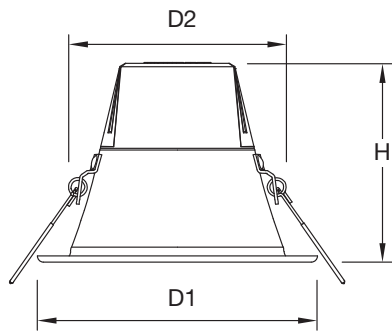
©2016 OSRAM GmbH · All rights reserved · Internet www.lightingsolutions.osram.com/asia

2 of 5

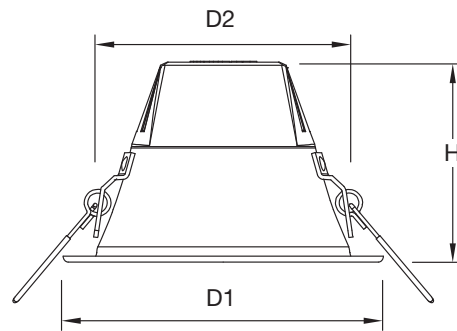
LED COMFO[®] Ace Downlight

Dimensions

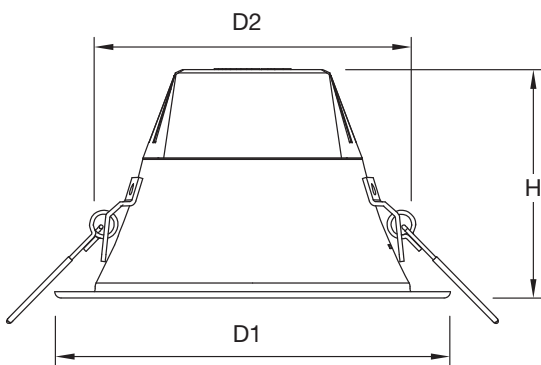
2.5"



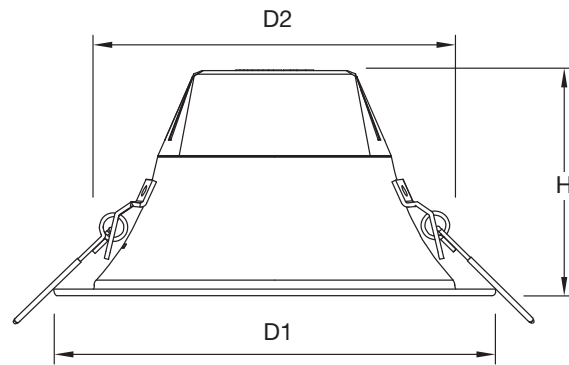
3"



3.5"



4"



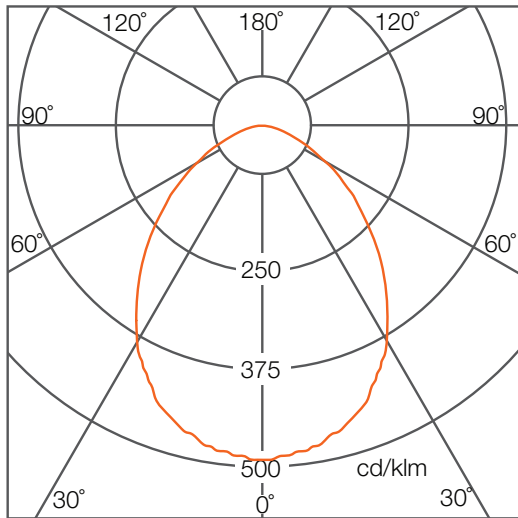
Dimensions

	2.5"	3"	3.5"	4"
D1	84mm	96mm	112mm	125mm
D2	64mm	76mm	89mm	102mm
H	60mm	60mm	65mm	65mm

LED COMFO[®] Ace Downlight

Photometrics

Light Distribution Curve



Illuminance at a distance

	Center Beam Lux/klm	Beam Width
0.5m	1980	0.95
1m	495	1.89
1.5m	220	2.84
2m	124	3.78
2.5m	79	4.73
3m	55	5.67

For feet multiply by 3.28

● Spread: 86.8°
For fc divide by 10.7

Due to the manufacturing processes of LED, the polar candela distribution and distance luminaries only reflect statistical figures and do not necessarily correspond to the actual parameters of individual product that may differ from the typical values.

LED COMFO® Ace Downlight

Ordering Codes

Fixture (APAC Version)

Short Text	Power	Diameter	CCT	EAN10	EAN40	Shipping Unit
LED COMFO DL ACE 4W 3000KFL 40X1APOS RAM	3.5W	2.5"	3000K	4052899225022	4052899225039	40
LED COMFO DL ACE 4W 4000KFL 40X1APOS RAM	3.5W	2.5"	4000K	4052899225046	4052899225053	40
LED COMFO DL ACE 4W 6500KFL 40X1APOS RAM	3.5W	2.5"	6500K	4052899225084	4052899225091	40
LED COMFO DL ACE 6W 3000KFL 40X1APOS RAM	5.5W	3"	3000K	4052899225107	4052899225114	40
LED COMFO DL ACE 6W 4000KFL 40X1APOS RAM	5.5W	3"	4000K	4052899225121	4052899225138	40
LED COMFO DL ACE 6W 6500KFL 40X1APOS RAM	5.5W	3"	6500K	4052899225169	4052899225176	40
LED COMFO DL ACE 7W 3000KFL 40X1APOS RAM	7W	3.5"	3000K	4052899225206	4052899225213	36
LED COMFO DL ACE 7W 4000KFL 40X1APOS RAM	7W	3.5"	4000K	4052899225220	4052899225237	36
LED COMFO DL ACE 7W 6500KFL 40X1APOS RAM	7W	3.5"	6500K	4052899225275	4052899225282	36
LED COMFO DL ACE 8W 3000KFL 36X1APOS RAM	8W	4"	3000K	4052899225343	4052899225350	36
LED COMFO DL ACE 8W 4000KFL 36X1APOS RAM	8W	4"	4000K	4052899225367	4052899225374	36
LED COMFO DL ACE 8W 6500KFL 36X1APOS RAM	8W	4"	6500K	4052899225381	4052899225398	36

Fixture (CN Version)

Short Text	Power	Diameter	CCT	EAN10	EAN40	Shipping Unit
LED COMFO DL ACE 3.5W 3000KFL 40X1APOS RAM	3.5W	2.5"	3000K	4052899225558	4052899225565	40
LED COMFO DL ACE 3.5W 4000KFL 40X1APOS RAM	3.5W	2.5"	4000K	4052899225572	4052899225589	40
LED COMFO DL ACE 3.5W 6500KFL 40X1APOS RAM	3.5W	2.5"	6500K	4052899225596	4052899225602	40
LED COMFO DL ACE 5.5W 3000KFL 40X1APOS RAM	5.5W	3"	3000K	4052899225640	4052899225657	40
LED COMFO DL ACE 5.5W 4000KFL 40X1APOS RAM	5.5W	3"	4000K	4052899225664	4052899225671	40
LED COMFO DL ACE 5.5W 6500KFL 40X1APOS RAM	5.5W	3"	6500K	4052899225688	4052899225695	40
LED COMFO DL ACE 7W 3000KFL 40X1APOS RAM	7W	3.5"	3000K	4052899225701	4052899225718	36
LED COMFO DL ACE 7W 4000KFL 40X1APOS RAM	7W	3.5"	4000K	4052899225725	4052899225732	36
LED COMFO DL ACE 7W 6500KFL 40X1APOS RAM	7W	3.5"	6500K	4052899225848	4052899225855	36
LED COMFO DL ACE 8.5W 3000KFL 36X1APOS RAM	8W	4"	3000K	4052899225862	4052899225879	36
LED COMFO DL ACE 8.5W 4000KFL 36X1APOS RAM	8W	4"	4000K	4052899225886	4052899225893	36
LED COMFO DL ACE 8.5W 6500KFL 36X1APOS RAM	8W	4"	6500K	4052899225909	4052899225916	36