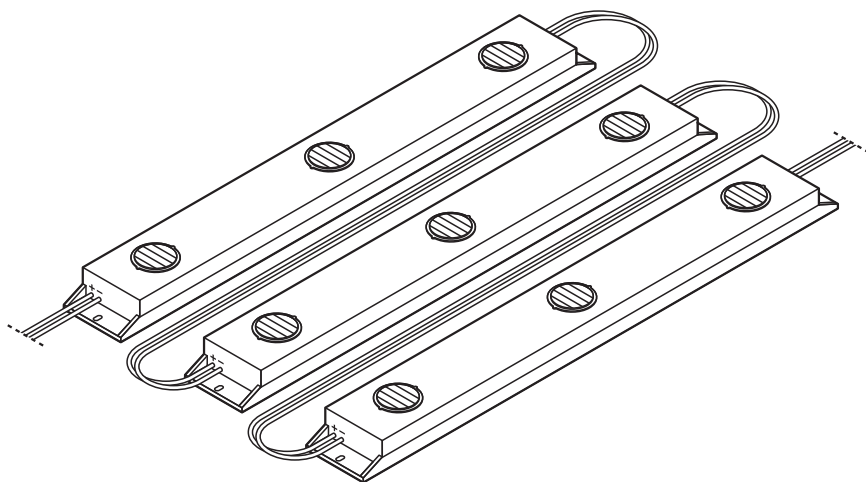


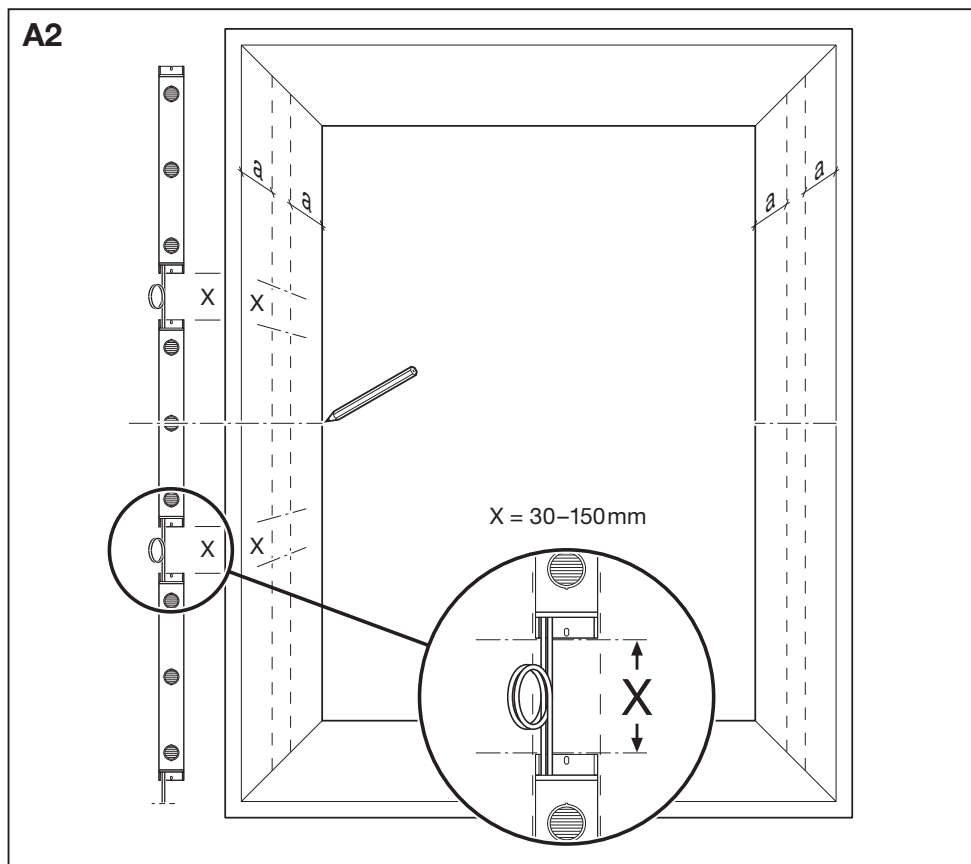
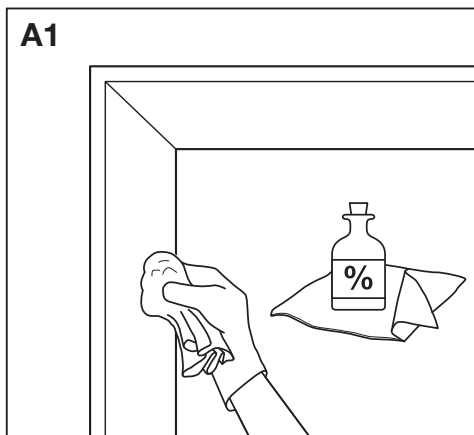
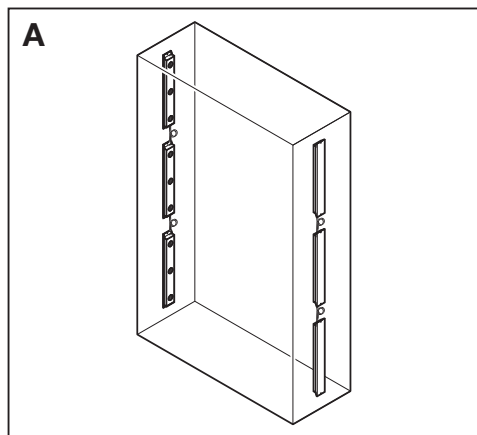
# BoxLED® L Plus G15

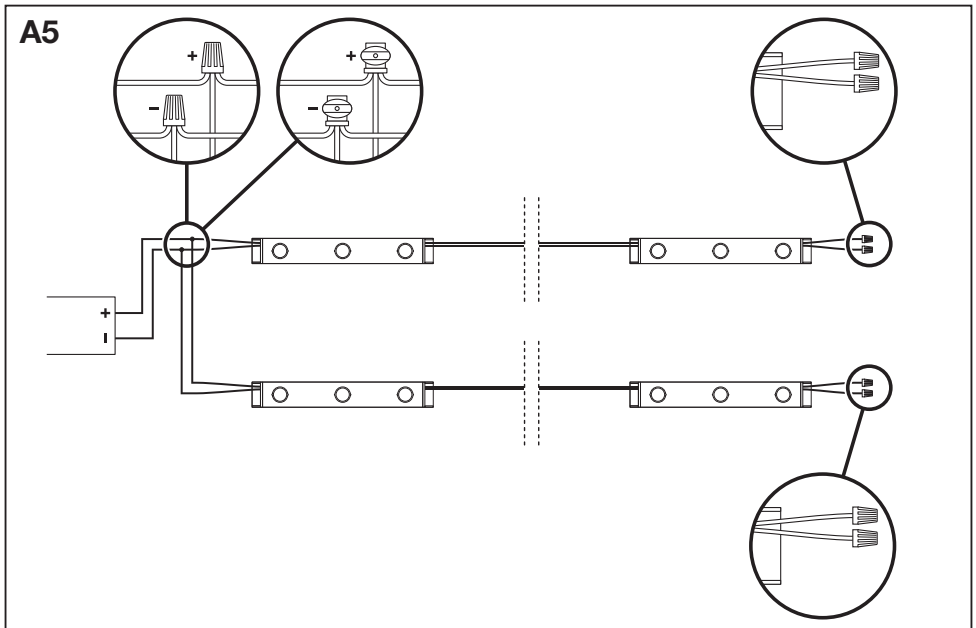
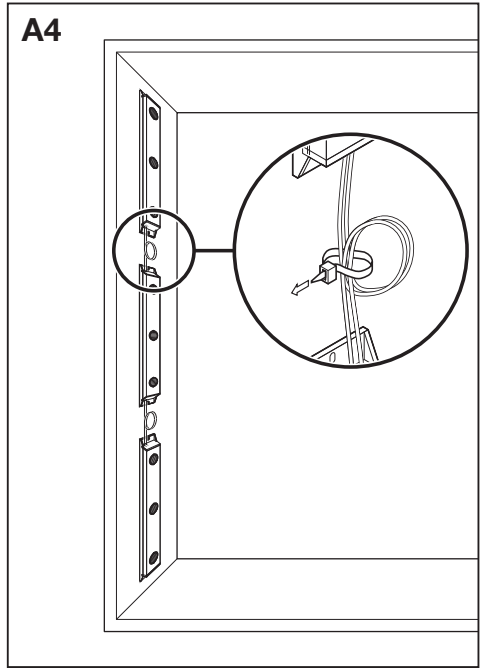
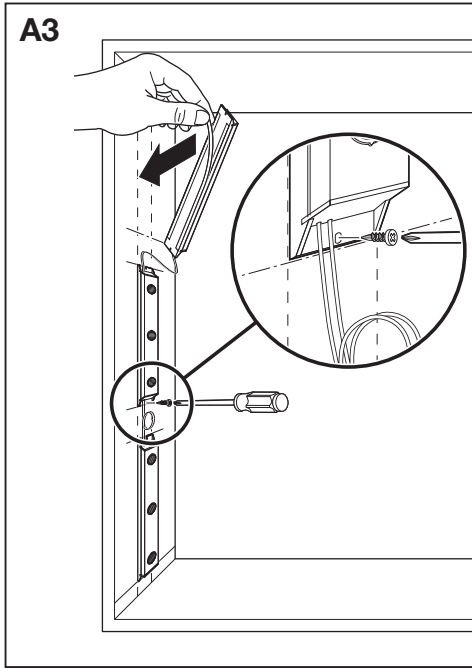
BX-L-PL 765 G15 60W 12V – EAN 4052899201088

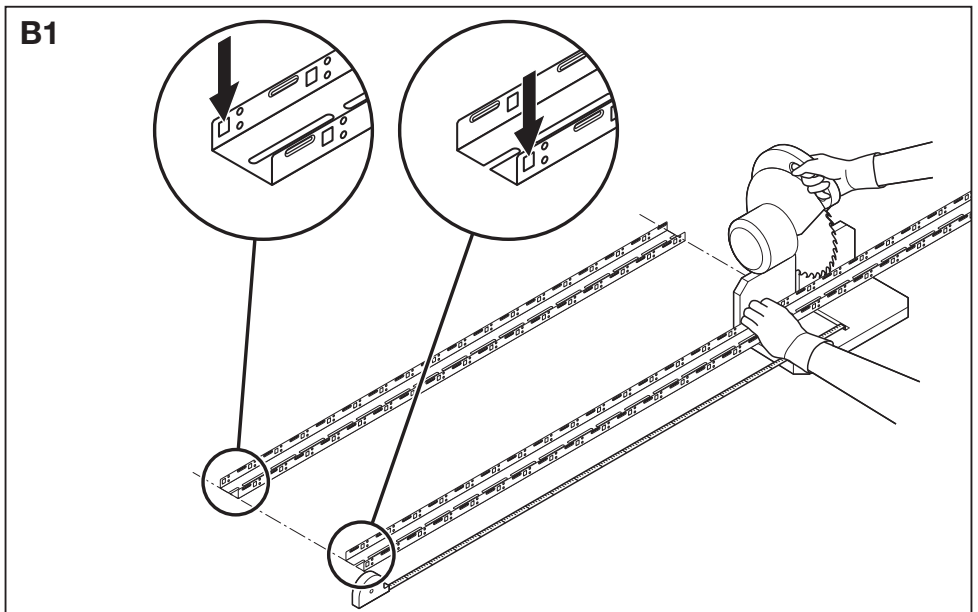
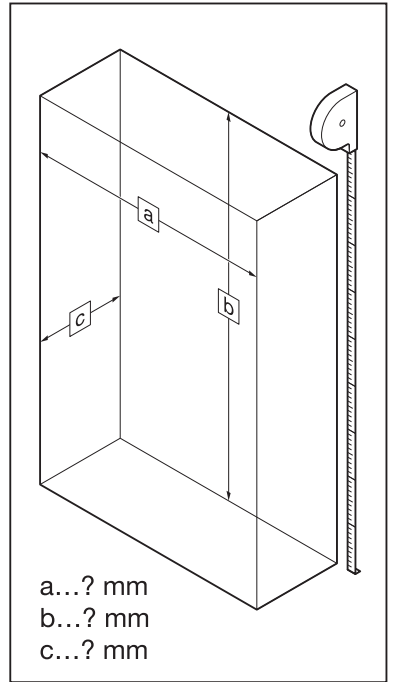
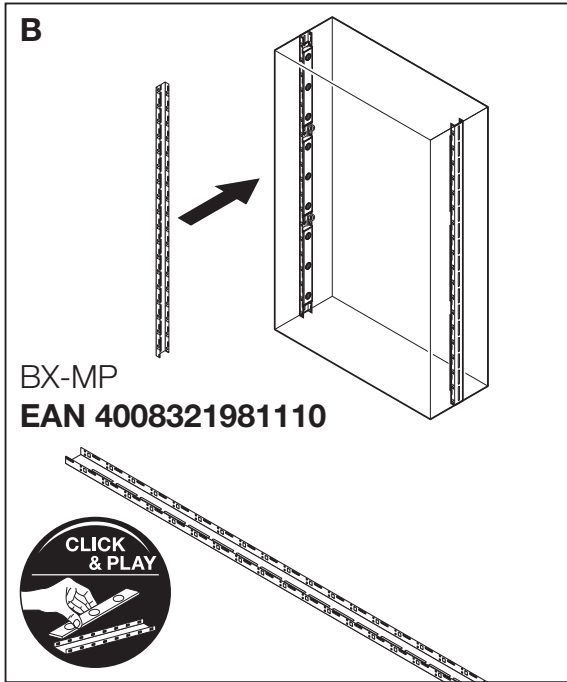
BX-L-PL 830 G15 60W 12V – EAN 4052899200517

BX-L-PL 840 G15 60W 12V – EAN 4052899200968

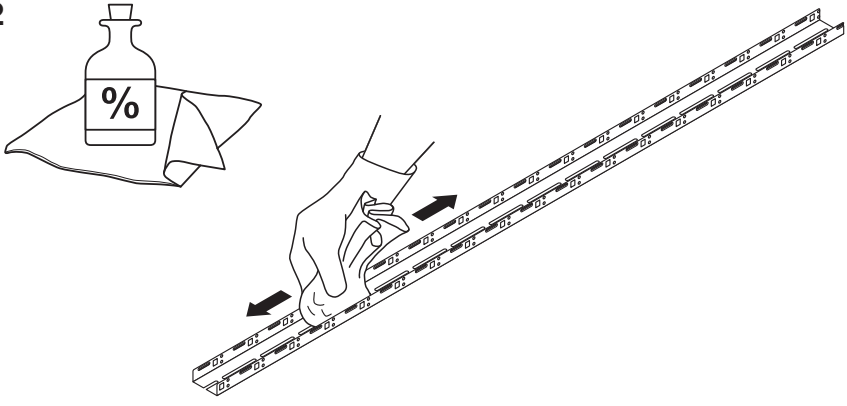




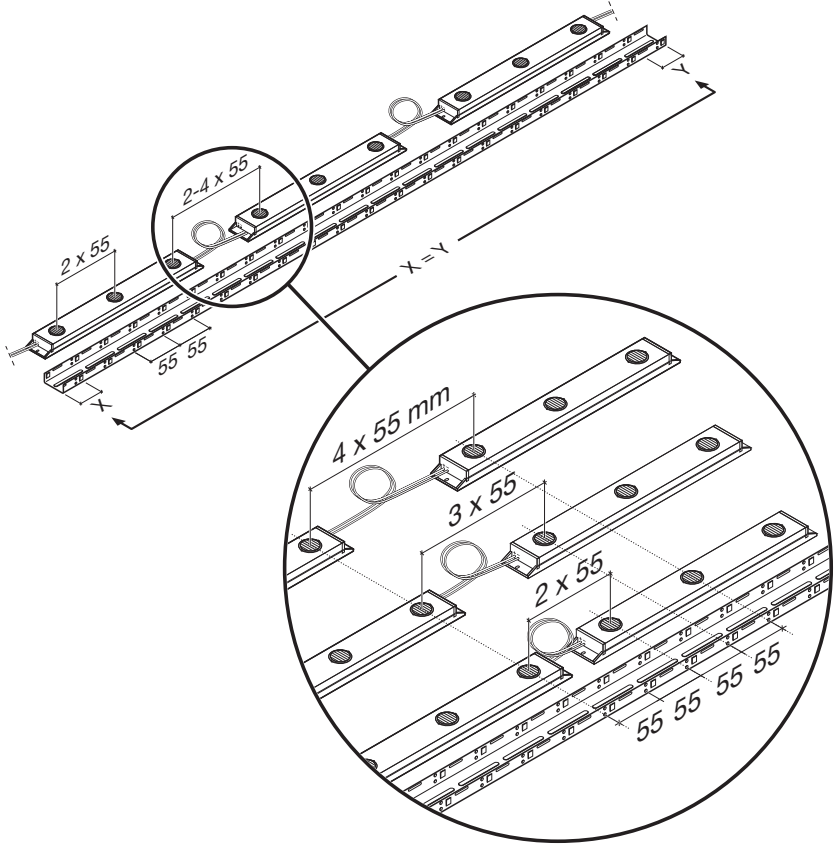


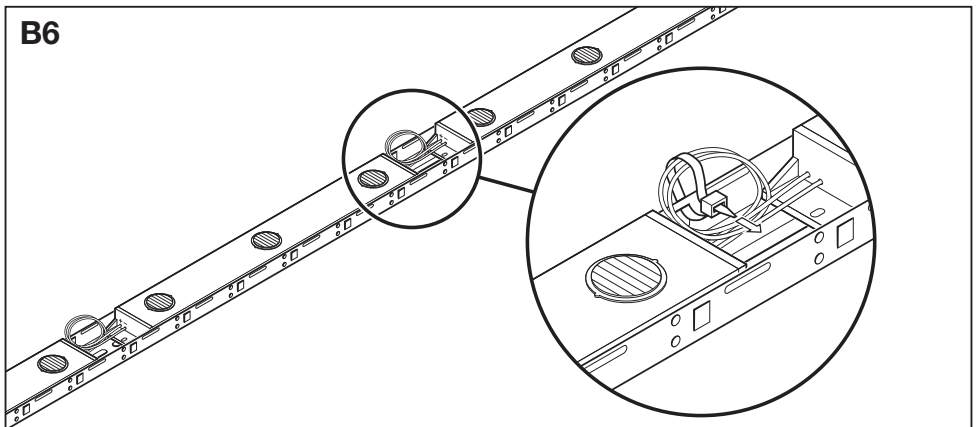
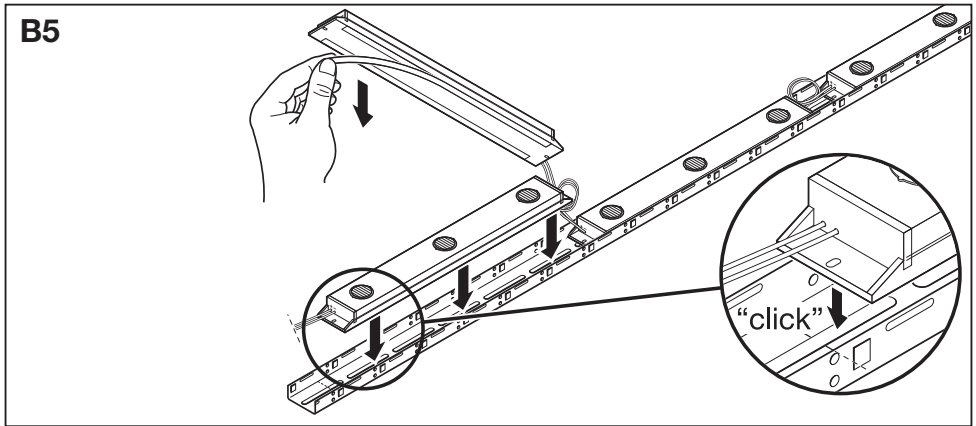
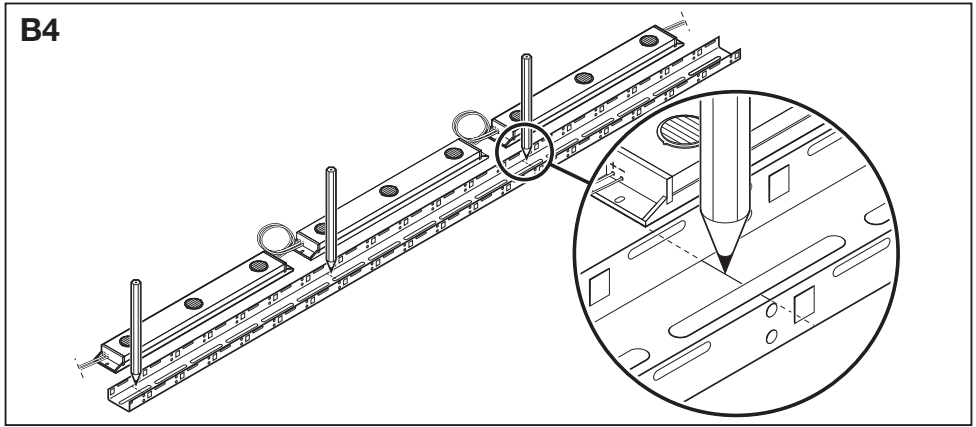


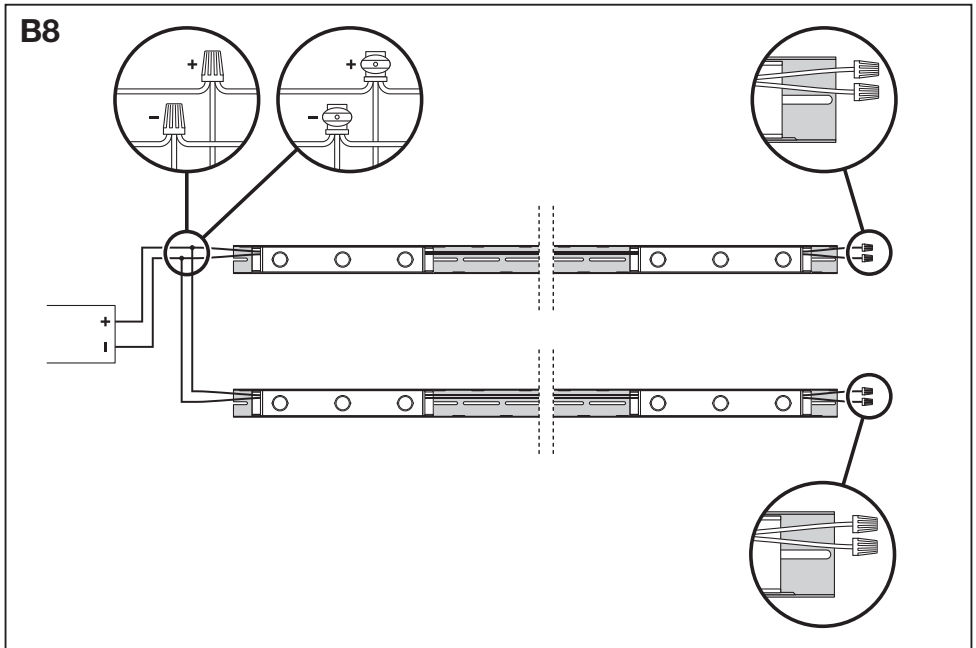
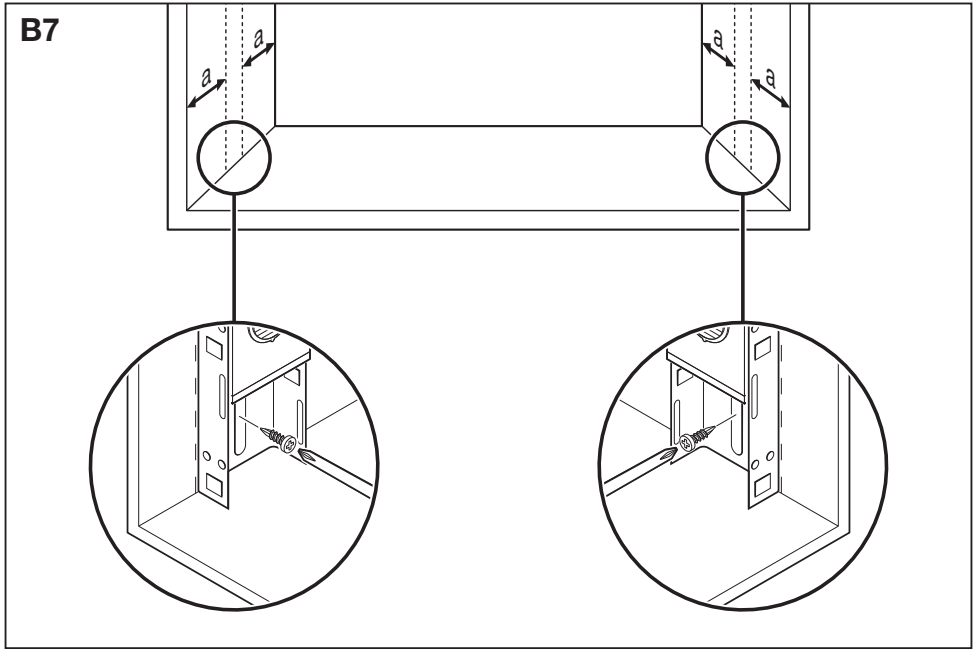
**B2**



**B3**







OSRAM China Lighting Ltd.  
No. 1 North Industrial Road  
Postal Code: 528000  
Foshan, Guangdong  
China



C10449058  
G10533493  
24.07.14

OSRAM GmbH  
Steinerne Furt 62  
86167 Augsburg  
Germany  
[www.osram.com](http://www.osram.com)