

Light is OSRAM




OPTOTRONIC®

OTe 60/110-277/12 E

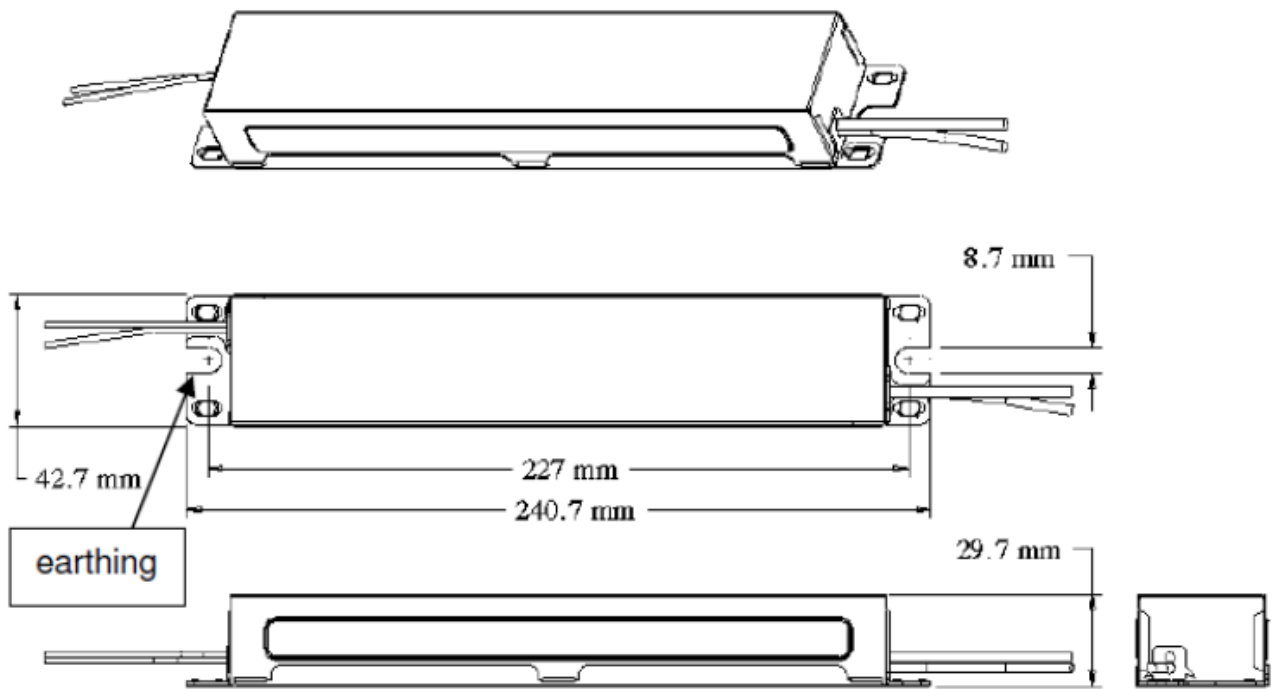
Constant Voltage LED Power Supply for 12V LED – Modules

1 Technical Data

Reference:	OTe 60/110-277/12 E
For LED modules:	12V LED Modules with respect to the output parameters: BackLED and BoxLED
Line voltage, nominal:	110 – 277 V _{AC}
Line current, nominal:	0,65 A@110V 0,35 A@230V
Line frequency:	50/60 Hz
Protection Class:	I
Output voltage:	12.5V DC
(Remark)	+/-0.5V
Maximum load	60 W
Partial load:	6 W – 60 W
Power factor:	> 0.95 : Full load @110 V > 0.90 : Half load @110 V > 0.95 : Full load @230 V > 0.90 : Half load @230 V
Power losses:	11W max @110V 9W max @230V
ECG efficiency:	>=85 %
(Remark)	full load @ 110-230 V
Power loss in no load condition:	< 3 W
Input Voltage:	100 - 305 V _{AC}
(Remark)	Permitted Voltage Range
DC voltage operation:	No
Inrush current:	≤ 15 A 200µs @ 110V input
(Remark)	≤ 40 A 200µs @ 230V input
Max. no. of ECG @ circuit breakers 10 A (B type):	7
Max. no. of ECG @ circuit breakers 16 A (B type):	12
Ambient temperature range, t _a :	-25 °C to +55 °C
Max. case temperature at t _c point:	+80 °C
ECG Life time:	50,000h
(Remark)	at t _{case} = +70 °C at t _c point and 10% failure rate
Maximum casing temperature in case of fault:	110 °C
Dimmable:	No
No-load proof:	Yes

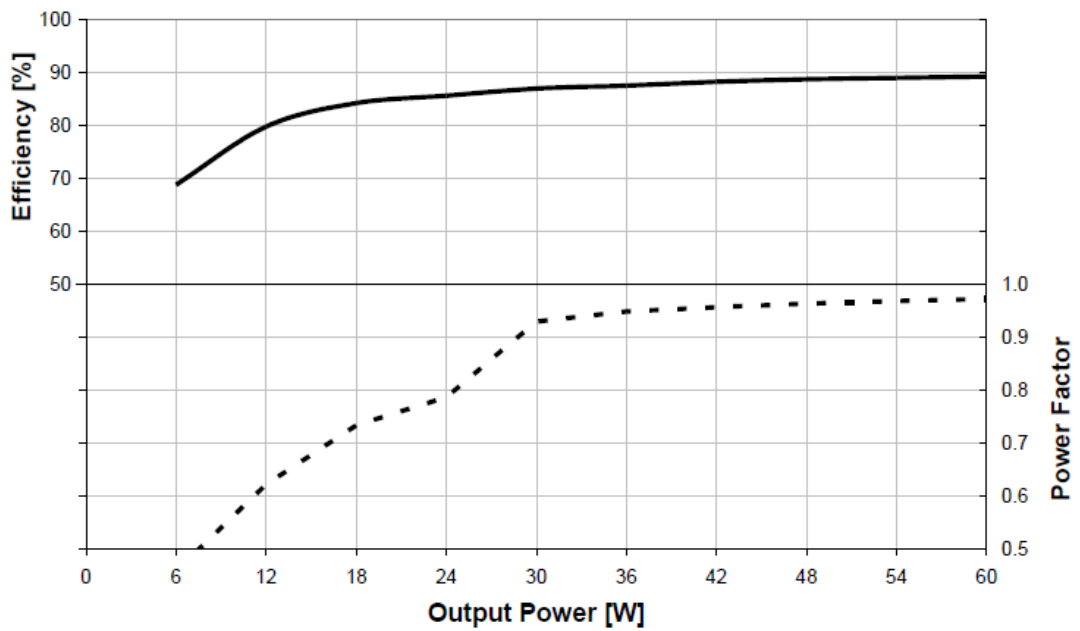
Short circuit protection:	Automatic, reversible
Overload protection:	Automatic, reversible
Overheating protection:	Automatic, reversible
Cable cross section input side:	0.83 mm ² / 18 AWG
Cable cross section output side:	0.83 mm ² / 18 AWG
Cable types, Input side : (Remark)	Flexible ~ 350 mm colour coding: L: brown N: blue
Cable types, Output side: (Remark)	Flexible ~ 300 mm colour coding: LED Module (+): red LED Module (-): black
Wire preparation length, input side:	10 mm
Wire preparation length, output side:	10 mm
Max. cable length – system:	10 m
Geometry (l x w x h mm ³)	241 x 43 x 30 mm ³
Mounting hole spacing/length:	7.2 mm
Mounting hole spacing/width	8.7 mm
Weight:	~600 g
Casing:	Metal
IP Code:	IP64
Suitable for fixtures with protection class:	I
ECG outdoor protection against humidity:	PCB fully encapsulated + dust proof metal housing
Safety:	IEC 61347-1, IEC 61347-2-13
Performance:	IEC 62384
Radio interference:	CISPR 15
Harmonic content:	IEC 61000-3-2
Voltage fluctuations:	IEC 61000-3-3
Immunity:	IEC 61547
Surge:	L-N: 2kV, L/N – Ground: 3kV
Galvanic insulation between primary and secondary side: (Remark)	3.75 kV _{rms} , SELV
Approvals:	  

2 Geometry

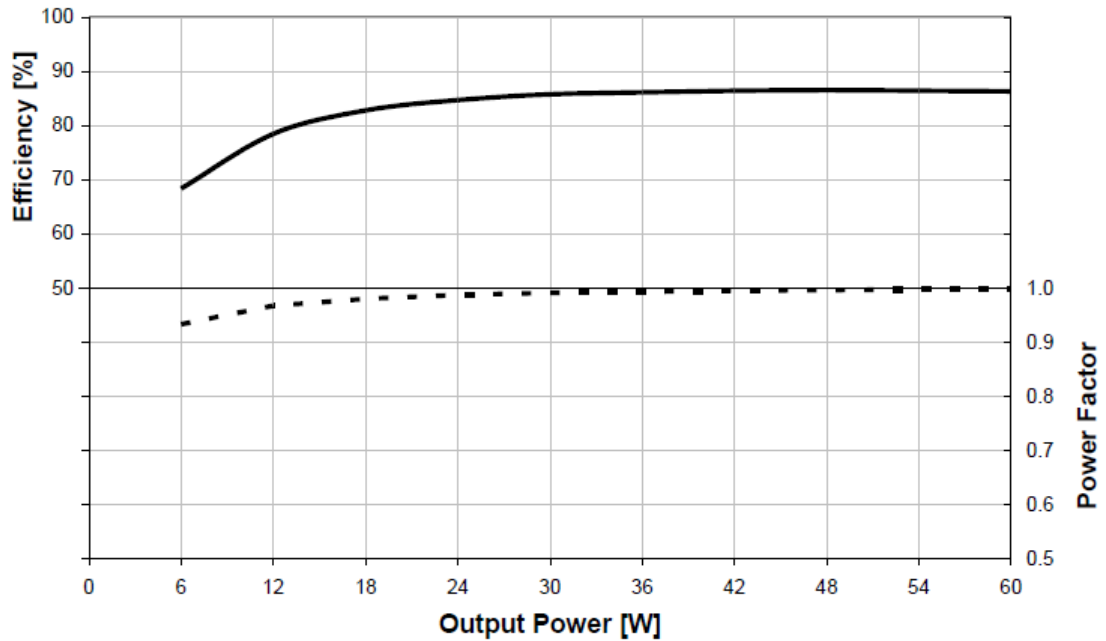


3 Typical Efficiency and Power Factor versus Load

230V input



110V input



4 Instruction Notes

1. The luminaire manufacturer is responsible for providing the required clearances and creepage distances and also for the protection against electrical shock, especially for the line and load wires.
2. Ground connection of the OTe 60/110-277/12 E is mandatory for safety and EMC reasons. The ground connection has to be done via the housing case and proper countersunk screws should be used.
3. Ballast losses and LED Module heat radiation can lead to heat accumulation in a complete closed case. Therefore it is necessary to ensure, that the temperature at the measuring point t_c does not exceed the maximum value.
4. For energy saving, please do not power on the driver without LED load and secondary switching is not allowed.

5 Instruction Sheet

Please consult the instruction sheet for further important information on e.g. wire stripping and wiring limitations in system installations. The instruction sheet is enclosed with the device or available upon request.

6 Ordering Information

	EAN 10 (1 pc)	EAN 40 (10 pcs)
OTe 60/110-277/12 E	4008321794338	4008321794345

OSRAM GmbH

Head Office:

Marcel-Breuer-Strasse 6
 80807 Munich, Germany
 Phone +49 89 6213-0
 Fax +49 89 6213-2020
 www.osram.com

OSRAM