

Light is OSRAM

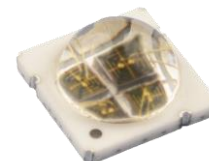
**OSRAM**  
Opto Semiconductors

Our Brand

**LED ENGIN**

850nm Dual Junction Infrared LED Emitter

## LZ4-00R608



### Key Features

- 850nm Dual Junction Infrared LED
- Ultra-small foot print – 7.0mm x 7.0mm
- Surface mount ceramic package with integrated glass lens
- Low Thermal Resistance (2.8°C/W)
- Individually addressable die
- Ultra-high Radiant Flux density
- JEDEC Level 1 for Moisture Sensitivity Level
- Lead (Pb) free and RoHS compliant
- Reflow solderable
- Emitter available on Serially Connected MCPCB (optional)

### Typical Applications

- Surveillance cameras
- Traffic management
- Gesture recognition
- Machine vision
- Biometric sensing

## LZ4-00R608

### Part number options

#### Base part number

Part number	Description
LZ4-00R608-xxxx	LZ4 Infrared 850nm Dual Junction Emitter
LZ4-40R608-xxxx	LZ4 Infrared 850nm Dual Junction Emitter on 1 channel Standard Star MCPCB

#### Bin kit option codes

##### R6, Infrared Dual Junction (850nm)

Kit number suffix	Min flux bin	Color bin range	Description
0000	S	F08	full distribution flux; full distribution wavelength

Note:

1. Default bin kit option is -0000

## Radiant Flux Bins

Table 1:

Bin Code	Minimum	Maximum
	Radiant Flux ( $\Phi$ ) @ $I_F = 700\text{mA}$ <sup>[1,2]</sup> (W)	Radiant Flux ( $\Phi$ ) @ $I_F = 700\text{mA}$ <sup>[1,2]</sup> (W)
S	3.00	3.80
T	3.80	4.80
U	4.80	6.00

Notes for Table 1:

1. Radiant flux performance is measured at 10ms pulse,  $T_C = 25^\circ\text{C}$ . LED Engin maintains a tolerance of  $\pm 10\%$  on flux measurements.
2. Future products will have even higher levels of radiant flux performance. Contact LED Engin Sales for updated information.

## Peak Wavelength Bins

Table 2:

Bin Code	Minimum	Maximum
	Peak Wavelength ( $\lambda_P$ ) @ $I_F = 700\text{mA}$ <sup>[1]</sup> (nm)	Peak Wavelength ( $\lambda_P$ ) @ $I_F = 700\text{mA}$ <sup>[1]</sup> (nm)
F08	835	875

Note for Table 2:

1. Peak wavelength is measured at 10ms pulse,  $T_C = 25^\circ\text{C}$ . LED Engin maintains a tolerance of  $\pm 2.0\text{nm}$  on peak wavelength measurements.

## Forward Voltage Bins

Table 3:

Bin Code	Minimum	Maximum
	Forward Voltage ( $V_F$ ) @ $I_F = 700\text{mA}$ <sup>[1,2,3]</sup> (V)	Forward Voltage ( $V_F$ ) @ $I_F = 700\text{mA}$ <sup>[1,2,3]</sup> (V)
0	10.8	14.8

Notes for Table 3:

1. Forward voltage is measured at 10ms pulse,  $T_C = 25^\circ\text{C}$ .
2. Forward Voltage is binned with all four LED dice connected in series.
3. LED Engin maintains a tolerance of  $\pm 0.16\text{V}$  for forward voltage measurements for the four LEDs.

## Absolute Maximum Ratings

Table 4:

Parameter	Symbol	Value	Unit
DC Forward Current <sup>[1]</sup>	$I_F$	1000	mA
Peak Pulsed Forward Current <sup>[2]</sup>	$I_{FP}$	5000	mA
Reverse Voltage	$V_R$	See Note 3	V
Storage Temperature	$T_{stg}$	-40 ~ +125	°C
Junction Temperature	$T_{J(MAX)}$	145	°C
Soldering Temperature <sup>[4]</sup>	$T_{sol}$	260	°C

Notes for Table 4:

1. Maximum DC forward current (per die) is determined by the overall thermal resistance and ambient temperature. Follow the curves in Figure 11 for current derating.
2. Pulse forward current conditions: Pulse Width  $\leq 150\mu s$  and Duty Cycle  $\leq 10\%$ .
3. LEDs are not designed to be reverse biased.
4. Solder conditions per JEDEC 020D. See Reflow Soldering Profile Figure 3.
5. LED Engin recommends taking reasonable precautions towards possible ESD damages and handling the LZ4-00R608 in an electrostatic protected area (EPA). An EPA may be adequately protected by ESD controls as outlined in ANSI/ESD S6.1.

Optical Characteristics @  $T_C = 25^\circ C$ 

Table 5:

Parameter	Symbol	Typical	Unit
Radiant Flux (@ $I_F = 700mA$ ) <sup>[1,2]</sup>	$\Phi$	3.75	W
Radiant Flux (@ $I_F = 1000mA$ ) <sup>[1,2]</sup>	$\Phi$	5.25	W
Wall Plug Efficiency (@ $I_F = 700mA$ )	$\eta$	43	%
Peak Wavelength	$\lambda_P$	850	nm
Viewing Angle <sup>[3]</sup>	$2\Theta_{1/2}$	100	Degrees
Total included Angle <sup>[4]</sup>	$\Theta_{0.9}$	120	Degrees

Notes for Table 5:

1. This product emits non visible infrared light, which can be hazardous depending on total system configuration (including, but not limited to optics, drive current and temperature). Observe safety precaution given in IEC 62471 when operating this product.
2. Radiant flux typical value is for all four LED dice operating concurrently at rated current.
3. Viewing Angle is the off axis angle from emitter centerline where the radiant power is  $\frac{1}{2}$  of the peak value.
4. Total Included Angle is the total angle that includes 90% of the total radiant flux.

Electrical Characteristics @ T<sub>C</sub> = 25°C

Table 6:

Parameter	Symbol	Typical	Unit
Forward Voltage (@ I <sub>F</sub> = 700mA) <sup>[1]</sup>	V <sub>F</sub>	12.4	V
Forward Voltage (@ I <sub>F</sub> = 1000mA) <sup>[1]</sup>	V <sub>F</sub>	12.8	V
Temperature Coefficient of Forward Voltage	ΔV <sub>F</sub> /ΔT <sub>J</sub>	-8.0	mV/°C
Thermal Resistance (Junction to Case)	Rθ <sub>J-C</sub>	2.8	°C/W

Note for Table 6:

1. Forward Voltage typical value is for all four LED dice connected in series.

Peak Pulse Forward Current (I<sub>FP</sub>) Capability

Table 7:

Parameter	Value	Unit
t <sub>p</sub> = 150μs, D=10%	5000	mA
t <sub>p</sub> = 10ms, D=20%	2000	mA

Note for Table 7:

1. t<sub>p</sub> = Pulse Width, T = Period, D = Duty Cycle = t<sub>p</sub>/T.

IPC/JEDEC Moisture Sensitivity Level

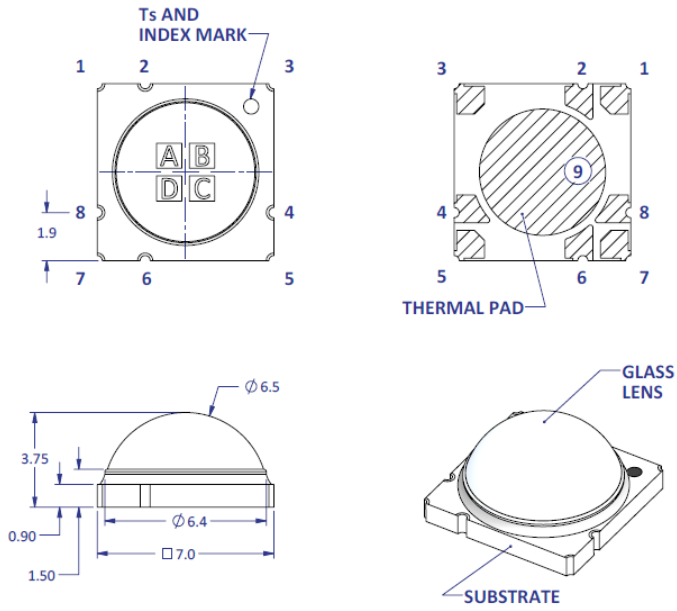
Table 8 - IPC/JEDEC J-STD-20 MSL Classification :

Level	Soak Requirements					
	Floor Life		Standard		Accelerated	
	Time	Conditions	Time (hrs)	Conditions	Time (hrs)	Conditions
1	1 Year	≤ 30°C/ 85% RH	168 +5/-0	85°C/ 85% RH	n/a	n/a

Note for Table 8:

1. The standard soak time is the sum of the default value of 24 hours for the semiconductor manufacturer's exposure time (MET) between bake and bag and the floor life of maximum time allowed out of the bag at the end user of distributor's facility.

Mechanical Dimensions (mm)

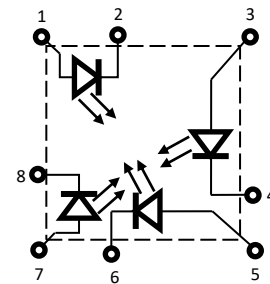


Pin Out		
Pad	Die	Function
1	A	Anode
2	A	Cathode
3	B	Anode
4	B	Cathode
5	C	Anode
6	C	Cathode
7	D	Anode
8	D	Cathode
9 <sup>[2]</sup>	n/a	Thermal

Figure 1: Package outline drawing

Notes for Figure 1:

1. Unless otherwise noted, the tolerance =  $\pm 0.20$  mm.
2. Thermal contact, Pad 9, is electrically neutral.



Recommended Solder Pad Layout (mm)

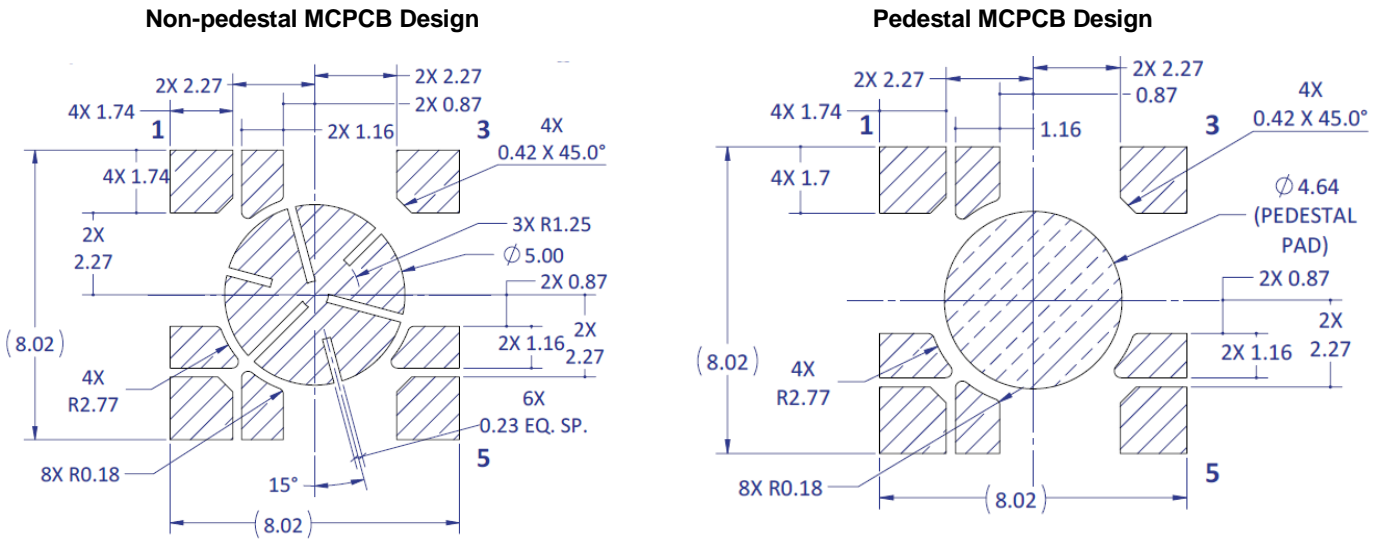


Figure 2a: Recommended solder pad layout for anode, cathode, and thermal pad for non-pedestal and pedestal design

Notes for Figure 2a:

1. Unless otherwise noted, the tolerance =  $\pm 0.20$  mm.
2. Pedestal MCPCB allows the emitter thermal slug to be soldered directly to the metal core of the MCPCB. Such MCPCB eliminate the high thermal resistance dielectric layer that standard MCPCB technologies use in between the emitter thermal slug and the metal core of the MCPCB, thus lowering the overall system thermal resistance.
3. LED Engin recommends x-ray sample monitoring for solder voids underneath the emitter thermal slug. The total area covered by solder voids should be less than 20% of the total emitter thermal slug area. Excessive solder voids will increase the emitter to MCPCB thermal resistance and may lead to higher failure rates due to thermal over stress..

Recommended Solder Mask Layout (mm)

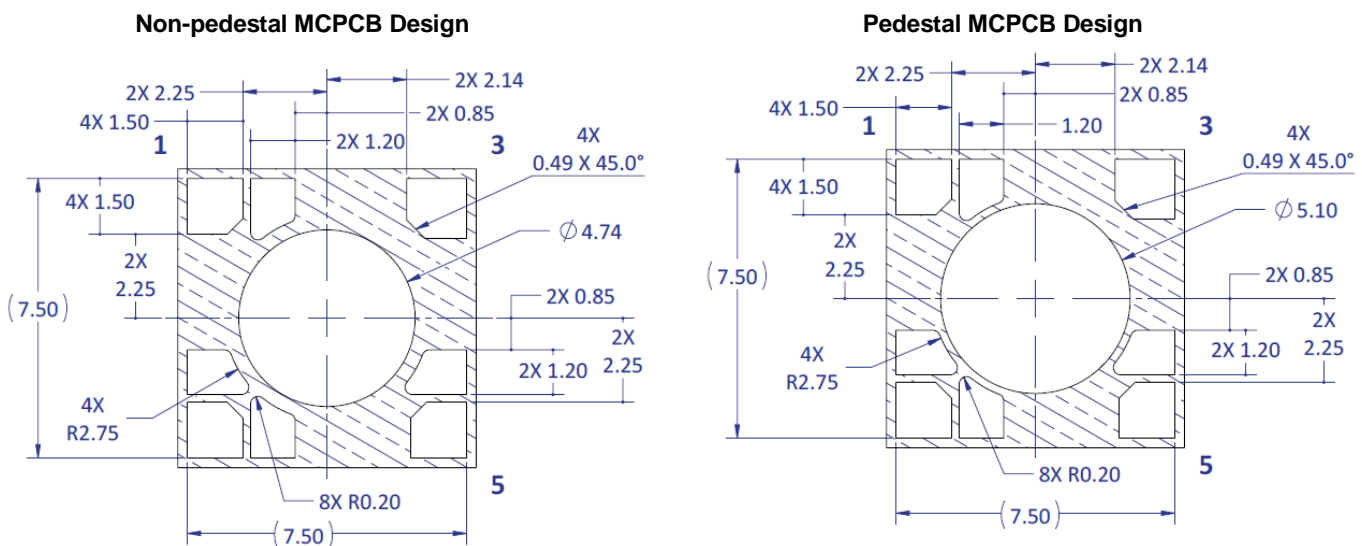


Figure 2b: Recommended solder mask opening for anode, cathode, and thermal pad for non-pedestal and pedestal design

Note for Figure 2b:

1. Unless otherwise noted, the tolerance =  $\pm 0.20$  mm.

Recommended 8 mil Stencil Apertures Layout (mm)

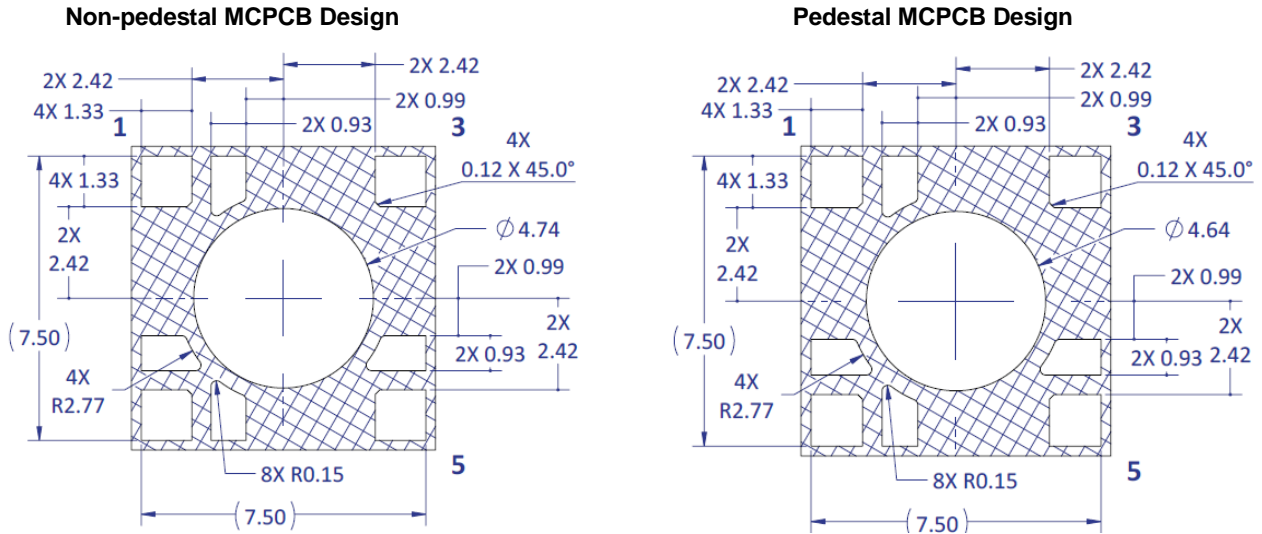


Figure 2c: Recommended 8mil stencil apertures for anode, cathode, and thermal pad for non-pedestal and pedestal design

Note for Figure 2c:

- 1. Unless otherwise noted, the tolerance = ± 0.20 mm.

Reflow Soldering Profile

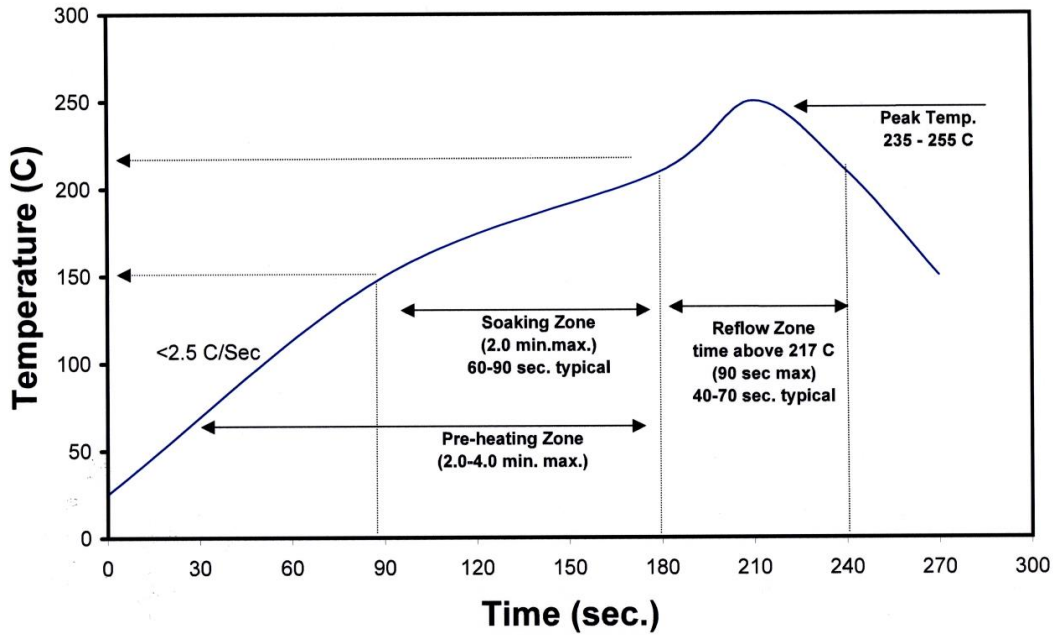


Figure 3: Reflow soldering profile for lead free soldering



Typical Radiation Pattern

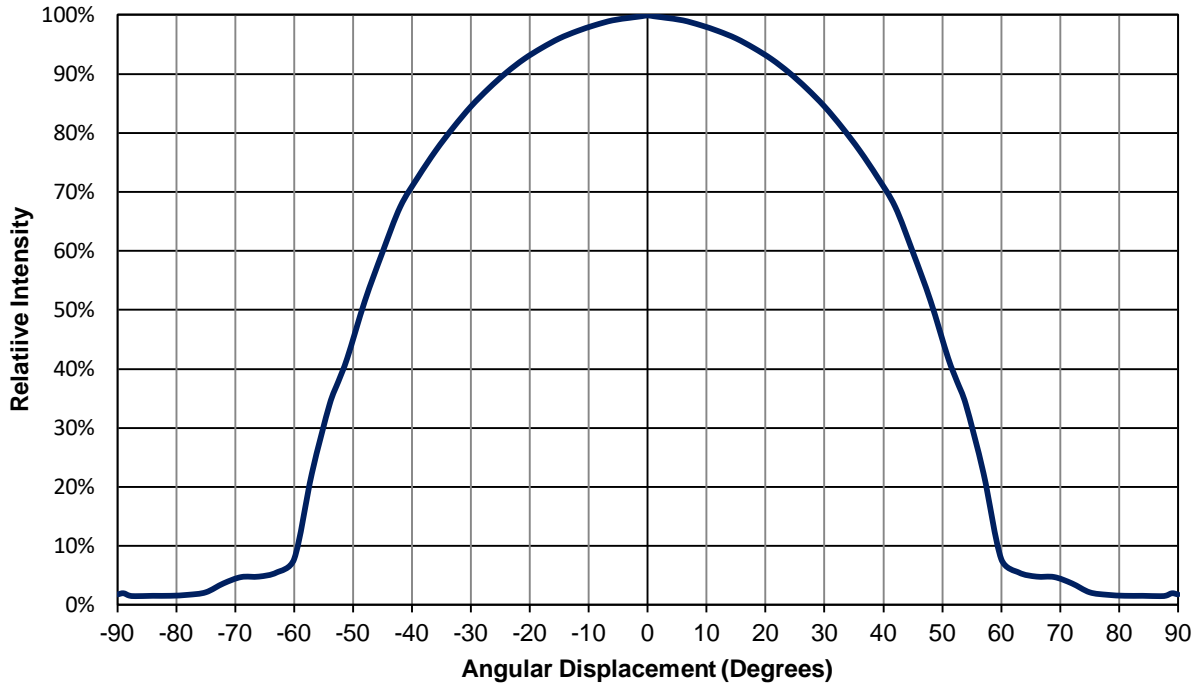


Figure 4: Typical representative spatial radiation pattern

Typical Relative Spectral Power Distribution

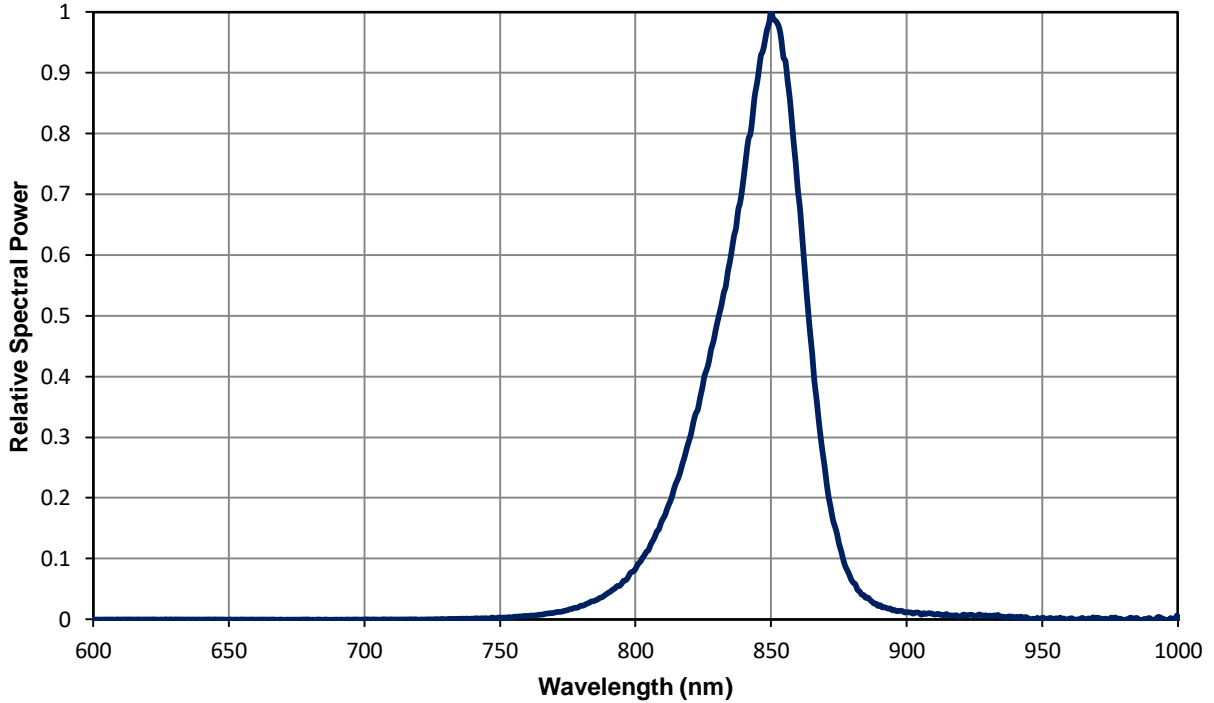


Figure 5: Typical relative spectral power vs. wavelength @ T<sub>C</sub> = 25°C

### Typical Forward Current Characteristics

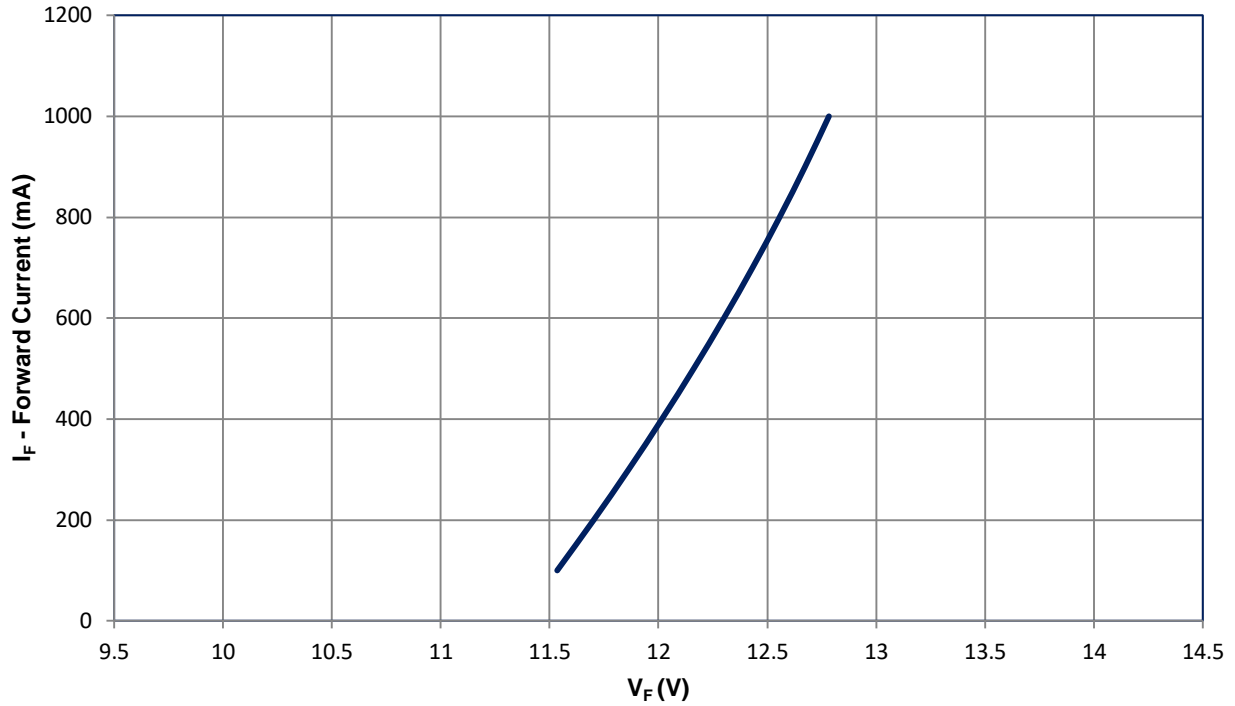


Figure 6: Typical forward current vs. forward voltage @  $T_C = 25^\circ\text{C}$

Note for Figure 6:

- 1. Forward Voltage curve assumes that all four LED dice are connected in series.

### Typical Normalized Radiant Flux over Current

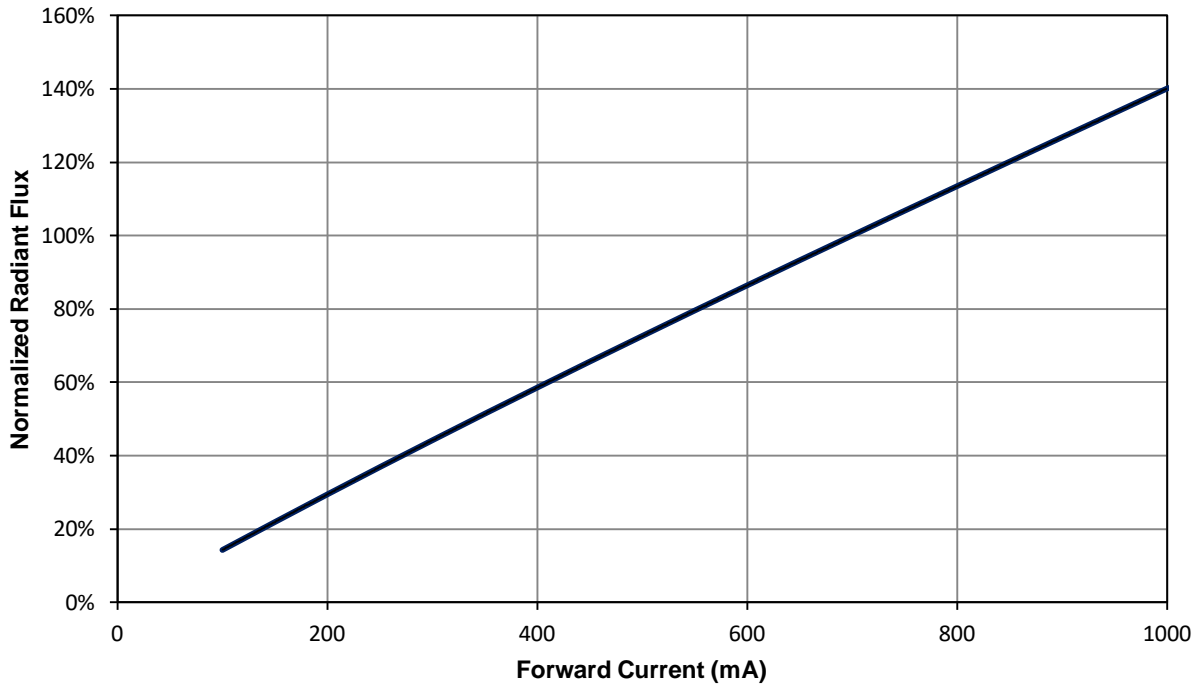


Figure 7: Typical normalized radiant flux vs. forward current @  $T_C = 25^\circ\text{C}$

Typical Normalized Radiant Flux over Case Temperature

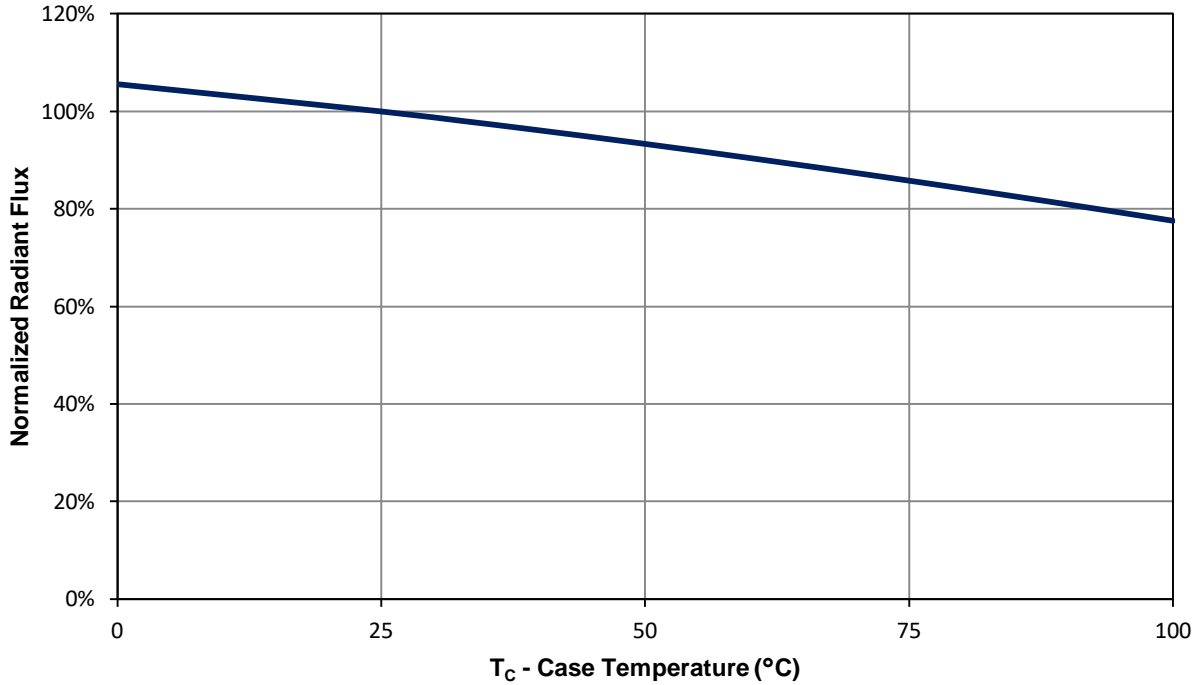


Figure 8: Typical normalized radiant flux vs. case temperature

Typical Peak Wavelength Shift over Current

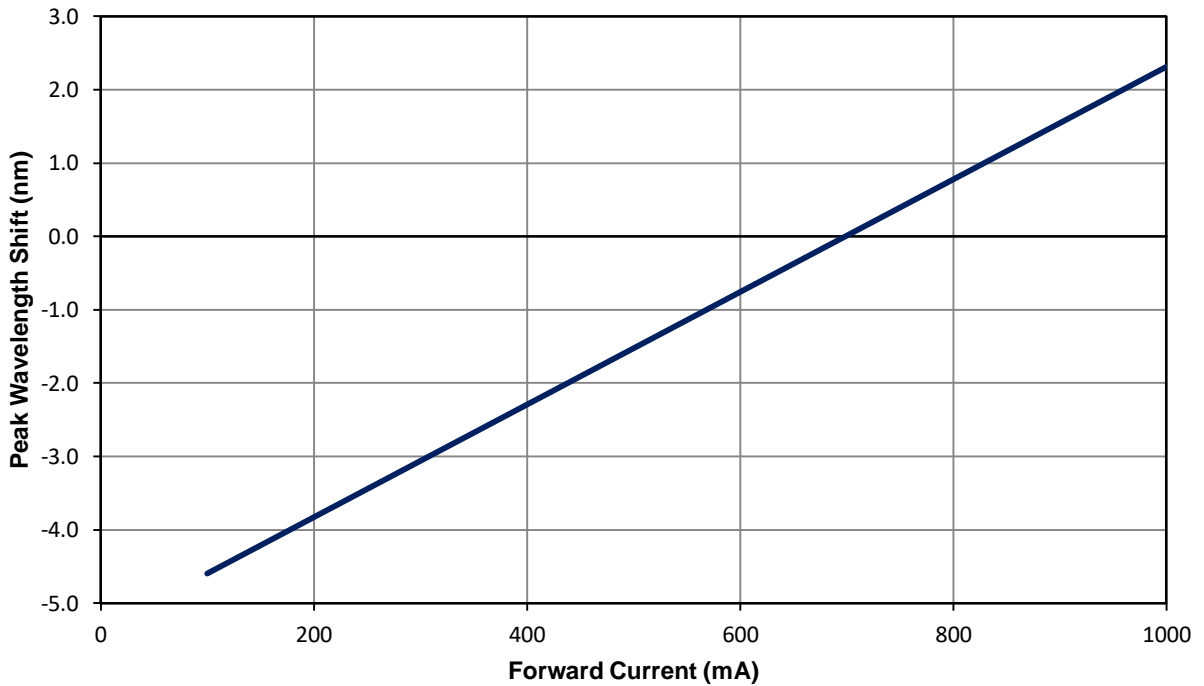


Figure 9: Typical peak wavelength shift vs. forward current @ T<sub>c</sub> = 25°C

Typical Peak Wavelength Shift over Case Temperature

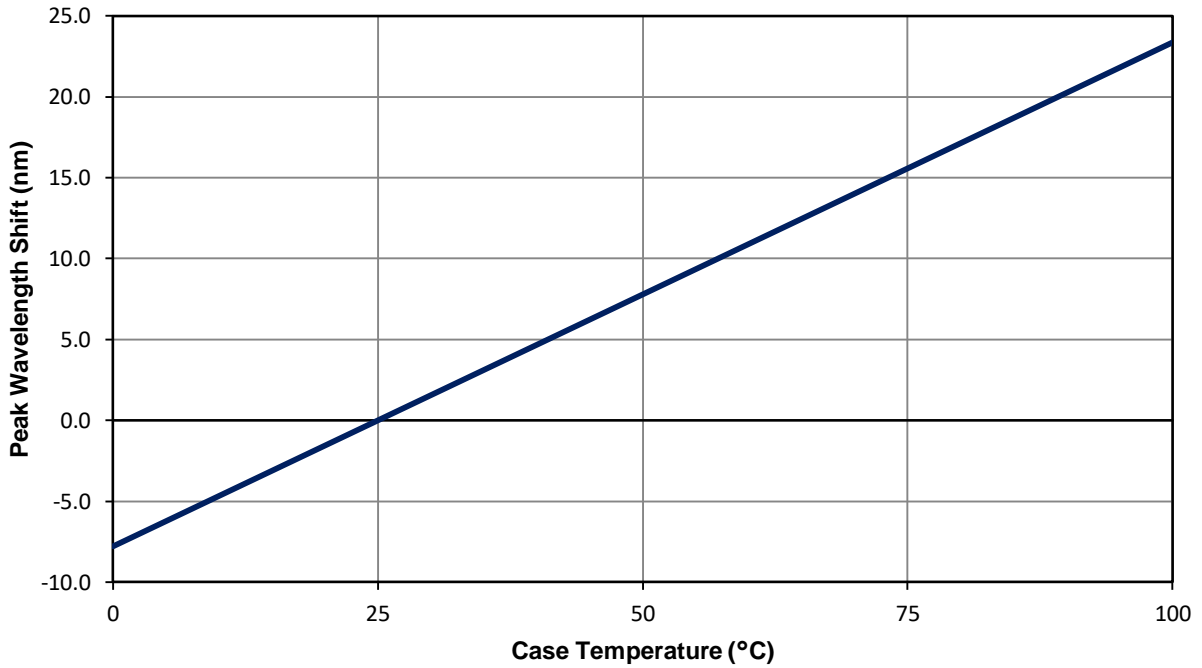


Figure 10: Typical peak wavelength shift vs. case temperature

Current De-rating

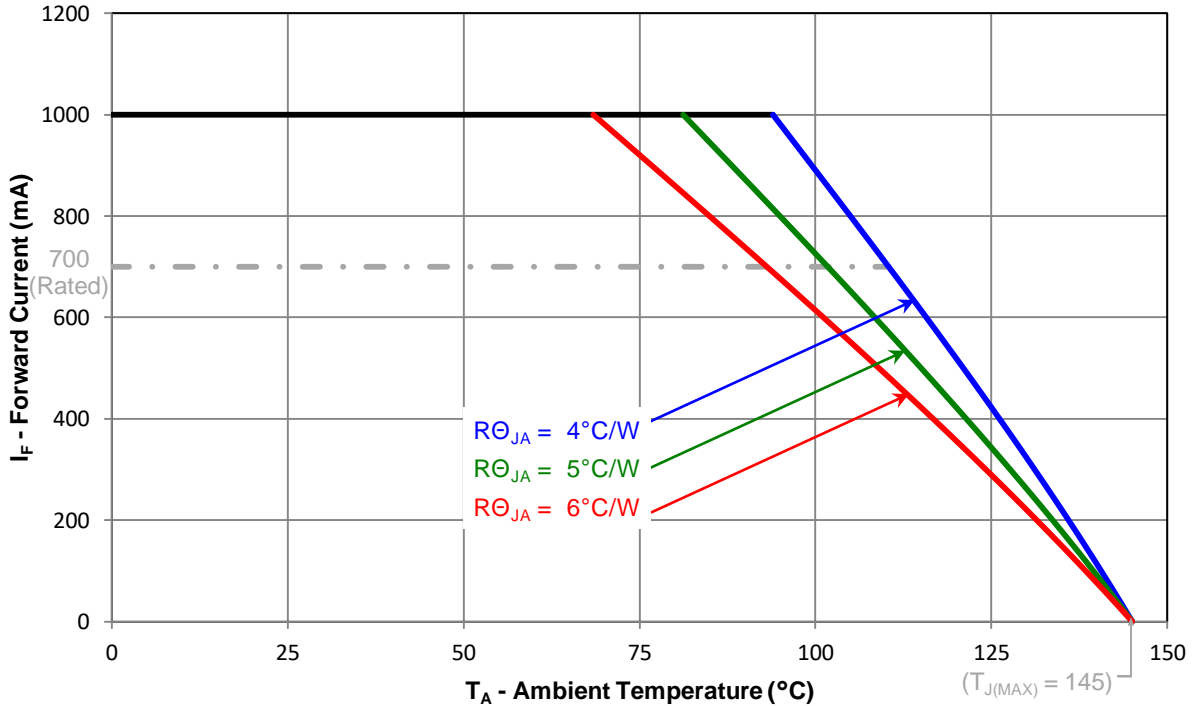


Figure 11: Maximum forward current vs. ambient temperature based on T<sub>J(MAX)</sub> = 145°C

Notes for Figure 11:

1. Maximum current assumes that all four LED dice are operating concurrently at the same current.
2. R<sub>Θ<sub>J-C</sub></sub> [Junction to Case Thermal Resistance] for the LZ4-00R608 is typically 2.8°C/W.
3. R<sub>Θ<sub>J-A</sub></sub> [Junction to Ambient Thermal Resistance] = R<sub>Θ<sub>J-C</sub></sub> + R<sub>Θ<sub>C-A</sub></sub> [Case to Ambient Thermal Resistance].

Emitter Tape and Reel Specifications (mm)

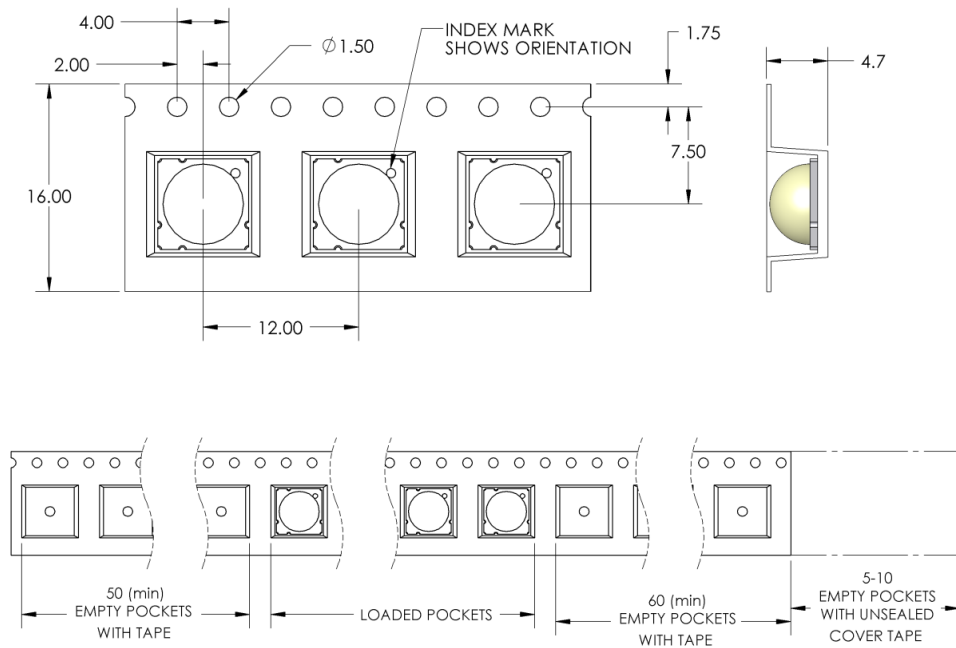


Figure 11: Emitter carrier tape specifications (mm).

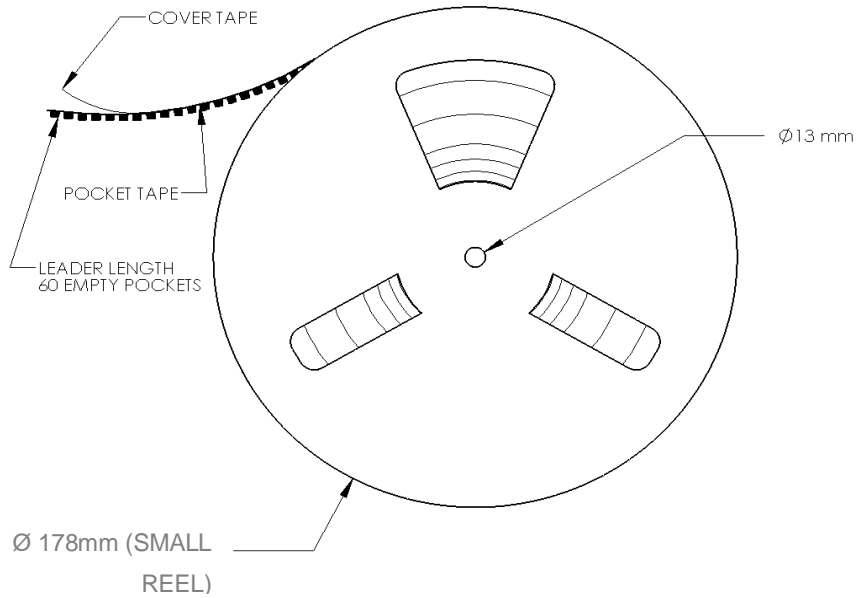


Figure 12: Emitter Reel specifications (mm).

Notes for Figure 12:

1. Small reel quantity: 250 emitters.
2. Single flux bin and single wavelength per reel.

Additional Notes for Figure 11 and 12:

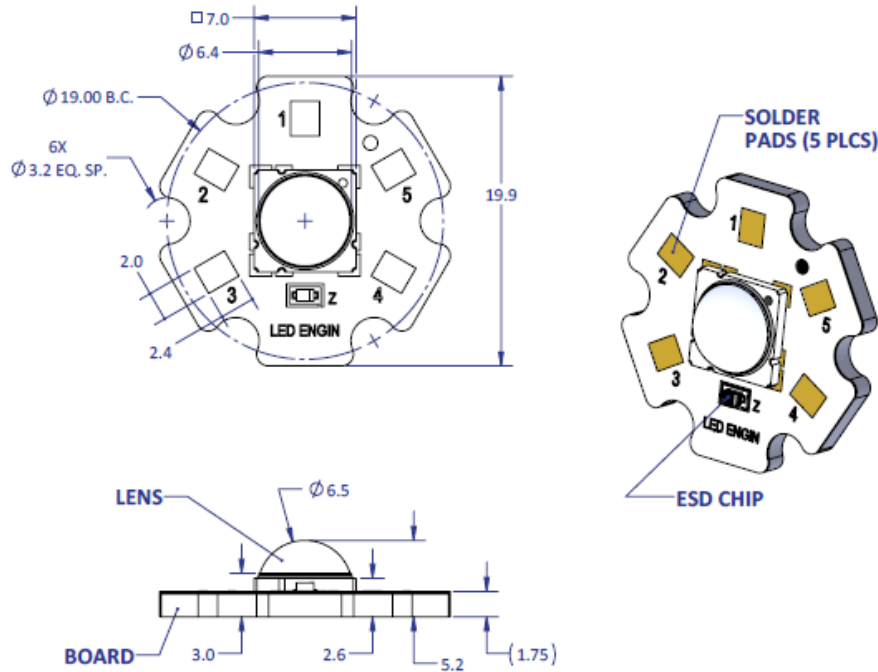
Tapes and reels are shipped in airtight bags in order to reduce the onset of silver tarnish. We recommend bags only be opened when ready to use emitters. Partially used reels or trays should be stored in airtight bags or in storage purged with nitrogen.

## LZ4 MCPCB Option

Part number	Type of MCPCB	Dimension (mm)	Emitter + MCPCB Thermal Resistance (°C/W)	Typical V <sub>F</sub> (V)	Typical I <sub>F</sub> (mA)
LZ4-4xxxxx	1-channel	19.9	2.8 + 1.1 = 3.9	12.4	700

LZ4-4xxxxx

1 channel, Standard Star MCPCB (1x4) Dimensions (mm)



Notes:

1. Unless otherwise noted, the tolerance =  $\pm 0.2$  mm.
2. Slots in MCPCB are for M3 or #4-40 mounting screws.
3. LED Engin recommends plastic washers to electrically insulate screws from solder pads and electrical traces.
4. LED Engin recommends thermal interface material when attaching the MCPCB to a heatsink
5. The thermal resistance of the MCPCB is:  $R\theta_{C-B}$  1.1°C/W

Components used

MCPCB: HT04503 (Bergquist)  
 ESD chips: BZX585-C30 (NXP, for 4 LED dies in series)

Pad layout			
Ch.	MCPCB Pad	String/die	Function
1	1, 2, 3	1/ABCD	Cathode -
	4, 5		Anode +

## Application Guidelines

### MCPCB Assembly Recommendations

A good thermal design requires an efficient heat transfer from the MCPCB to the heat sink. In order to minimize air gaps in between the MCPCB and the heat sink, it is common practice to use thermal interface materials such as thermal pastes, thermal pads, phase change materials and thermal epoxies. Each material has its pros and cons depending on the design. Thermal interface materials are most efficient when the mating surfaces of the MCPCB and the heat sink are flat and smooth. Rough and uneven surfaces may cause gaps with higher thermal resistances, increasing the overall thermal resistance of this interface. It is critical that the thermal resistance of the interface is low, allowing for an efficient heat transfer to the heat sink and keeping MCPCB temperatures low. When optimizing the thermal performance, attention must also be paid to the amount of stress that is applied on the MCPCB. Too much stress can cause the ceramic emitter to crack. To relax some of the stress, it is advisable to use plastic washers between the screw head and the MCPCB and to follow the torque range listed below. For applications where the heat sink temperature can be above 50°C, it is recommended to use high temperature and rigid plastic washers, such as polycarbonate or glass-filled nylon.

LED Engin recommends the use of the following thermal interface materials:

- Bergquist's Gap Pad 5000S35, 0.020in thick
  - Part Number: Gap Pad® 5000S35 0.020in/0.508mm
  - Thickness: 0.020in/0.508mm
  - Thermal conductivity: 5 W/m-K
  - Continuous use max temperature: 200°C
  - Using M3 Screw (or #4 screw), with polycarbonate or glass-filled nylon washer (#4) the recommended torque range is: 20 to 25 oz-in (1.25 to 1.56 lbf-in or 0.14 to 0.18 N-m)
  
- 3M's Acrylic Interface Pad 5590H
  - Part number: 5590H @ 0.5mm
  - Thickness: 0.020in/0.508mm
  - Thermal conductivity: 3 W/m-K
  - Continuous use max temperature: 100°C
  - Using M3 Screw (or #4 screw), with polycarbonate or glass-filled nylon washer (#4) the recommended torque range is: 20 to 25 oz-in (1.25 to 1.56 lbf-in or 0.14 to 0.18 N-m)



### **Mechanical Mounting Considerations**

The mounting of MCPCB assembly is a critical process step. Excessive mechanical stress build up in the MCPCB can cause the MCPCB to warp which can lead to emitter substrate cracking and subsequent cracking of the LED dies.

LED Engin recommends the following steps to avoid mechanical stress build up in the MCPCB:

- Inspect MCPCB and heat sink for flatness and smoothness.
- Select appropriate torque for mounting screws. Screw torque depends on the MCPCB mounting method (thermal interface materials, screws, and washer).
- Always use three M3 or #4-40 screws with #4 washers.
- When fastening the three screws, it is recommended to tighten the screws in multiple small steps. This method avoids building stress by tilting the MCPCB when one screw is tightened in a single step.
- Always use plastic washers in combinations with the three screws. This avoids high point contact stress on the screw head to MCPCB interface, in case the screw is not seated perpendicular.
- In designs with non-tapped holes using self-tapping screws, it is common practice to follow a method of three turns tapping a hole clockwise, followed by half a turn anti-clockwise, until the appropriate torque is reached.

### **Wire Soldering**

- To ease soldering wire to MCPCB process, it is advised to preheat the MCPCB on a hot plate of 125-150°C. Subsequently, apply the solder and additional heat from the solder iron will initiate a good solder reflow. It is recommended to use a solder iron of more than 60W.
- It is advised to use lead-free, no-clean solder. For example: SN-96.5 AG-3.0 CU 0.5 #58/275 from Kester (pn: 24-7068-7601)

LZ4-00R608

## About LED Engin

LED Engin, an OSRAM brand based in California's Silicon Valley, develops, manufactures, and sells advanced LED emitters, optics and light engines to create uncompromised lighting experiences for a wide range of entertainment, architectural, general lighting and specialty applications. LuxiGen™ multi-die emitter and secondary lens combinations reliably deliver industry-leading flux density, upwards of 5000 quality lumens to a target, in a wide spectrum of colors including whites, tunable whites, multi-color and UV LEDs in a unique patented compact ceramic package. Our LuxiTune™ series of tunable white lighting modules leverage our LuxiGen emitters and lenses to deliver quality, control, freedom and high density tunable white light solutions for a broad range of new recessed and downlighting applications. The small size, yet remarkably powerful beam output and superior in-source color mixing, allows for a previously unobtainable freedom of design wherever high-flux density, directional light is required. LED Engin is committed to providing products that conserve natural resources and reduce greenhouse emissions; and reserves the right to make changes to improve performance without notice.

For more information, please contact [LEDE-Sales@osram.com](mailto:LEDE-Sales@osram.com) or +1 408 922-7200.

### OSRAM Opto Semiconductors

LED Engin office:  
651 River Oaks Parkway  
San Jose, CA 95134  
USA  
408 922-7200  
[LEDE-Sales@osram.com](mailto:LEDE-Sales@osram.com)  
[www.osram.us/ledengin](http://www.osram.us/ledengin)

Our Brand

LED ENGIN



**OSRAM**  
Opto Semiconductors