

# OSRAM KW DPLS31.SB

## Datasheet

Published by **ams-OSRAM AG**

Tobelbader Strasse 30, 8141 Premstaetten, Austria

Phone +43 3136 500-0

[ams-osram.com](http://ams-osram.com)

© All rights reserved



SYNIOS® E4014

# KW DPLS31.SB

This compact LED offers an extremely low-profile and compact design of 4.0 x 1.4 x 0.65 mm, uniform distribution of light and rugged plastic housing. The cold white KW DPLS31.SB is perfect for backlighting LCD displays.



## Applications

- Display Backlighting

## Features

- Package: SMD epoxy package, colored silicone resin
- Chip technology: InGaN on Sapphire
- Typ. Radiation: 120° (Lambertian emitter)
- Color: Cx = 0.29, Cy = 0.28 acc. to CIE 1931 (● white)
- Optical efficacy: 110 lm/W
- Corrosion Robustness Class: 1B
- Qualifications: The product qualification test plan is based on the guidelines of AEC-Q101-REV-C, Stress Test Qualification for Automotive Grade Discrete Semiconductors.
- ESD: 8 kV acc. to ANSI/ESDA/JEDEC JS-001 (HBM, Class 3B)

---

## Ordering Information

Type	Luminous Flux <sup>1)</sup> $I_F = 120 \text{ mA}$ $\Phi_V$	Ordering Code
KW DPLS31.SB-6H6J-E5P7-QV-1	31.5 ... 56.0 lm	Q65113A2045

---

## Maximum Ratings

Parameter	Symbol		Values
Operating Temperature	$T_{op}$	min.	-40 °C
		max.	100 °C
Storage Temperature	$T_{stg}$	min.	-40 °C
		max.	100 °C
Junction Temperature	$T_j$	max.	125 °C
Forward current $T_s = 25\text{ °C}$	$I_F$	min.	5 mA
		max.	180 mA
ESD withstand voltage acc. to ANSI/ESDA/JEDEC JS-001 (HBM, Class 3B)	$V_{ESD}$		8 kV
Reverse voltage <sup>2)</sup>	$V_R$		Not designed for reverse operation

## Characteristics

$I_F = 120 \text{ mA}$ ;  $T_s = 25 \text{ °C}$

Parameter	Symbol		Values
Chromaticity Coordinate <sup>3)</sup>	Cx	typ.	0.29
	Cy	typ.	0.28
Peak Wavelength $I_F = 120 \text{ mA}$	$\lambda_{\text{peak}}$	min.	439.0 nm
		max.	454.0 nm
Viewing angle at 50% $I_v$	$2\phi$	typ.	120 °
Forward Voltage <sup>4)</sup> $I_F = 120 \text{ mA}$	$V_F$	min.	2.80 V
		typ.	3.15 V
		max.	3.40 V
Reverse current <sup>2)</sup>	$I_R$		Not designed for reverse operation
Real thermal resistance junction/solderpoint <sup>5)</sup>	$R_{\text{thJS real}}$	typ. max.	36 K / W 50 K / W
Electrical thermal resistance junction/solderpoint <sup>5)</sup> with efficiency $\eta_e = 30 \%$	$R_{\text{thJS elec.}}$	typ. max.	25 K / W 35 K / W

## Brightness Groups

Group	Luminous Flux <sup>1)</sup> $I_F = 120 \text{ mA}$ min. $\Phi_V$	Luminous Flux <sup>1)</sup> $I_F = 120 \text{ mA}$ max. $\Phi_V$	Luminous Intensity <sup>6)</sup> $I_F = 120 \text{ mA}$ typ. $I_v$
6H	31.5 lm	35.5 lm	11.1 cd
7H	35.5 lm	40.0 lm	12.5 cd
8H	40.0 lm	45.0 lm	14.0 cd
5J	45.0 lm	50.0 lm	15.7 cd
6J	50.0 lm	56.0 lm	17.5 cd

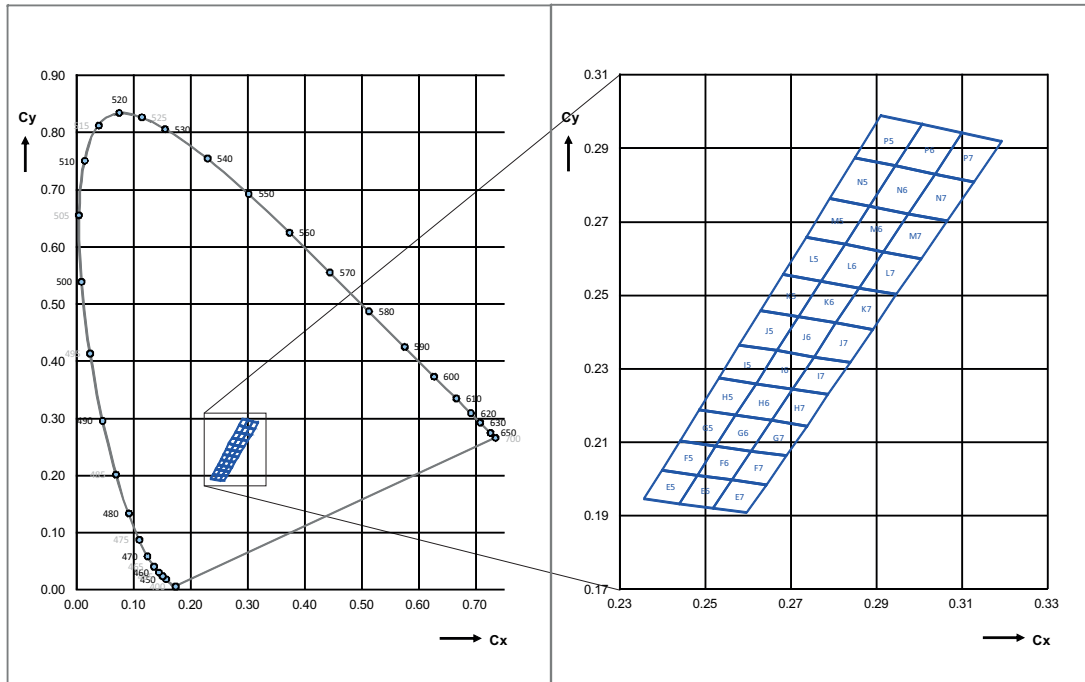
## Forward Voltage Groups

Group	Forward Voltage <sup>4)</sup> $I_F = 120 \text{ mA}$ min. $V_F$	Forward Voltage <sup>4)</sup> $I_F = 120 \text{ mA}$ max. $V_F$
24	2.80 V	3.00 V
64	3.00 V	3.20 V
A4	3.20 V	3.40 V

## Wavelength Groups

Group	Peak Wavelength $I_F = 120 \text{ mA}$ min. $\lambda_{\text{peak}}$	Peak Wavelength $I_F = 120 \text{ mA}$ max. $\lambda_{\text{peak}}$
Q	439.0 nm	444.0 nm
R	441.0 nm	446.0 nm
S	442.5 nm	447.5 nm
T	444.5 nm	449.5 nm
U	446.0 nm	451.0 nm
V	448.0 nm	454.0 nm

Chromaticity Coordinate Groups <sup>3)</sup>



Chromaticity Coordinate Groups <sup>3)</sup>

Group	Cx	Cy	Group	Cx	Cy	Group	Cx	Cy
E5	0.2440	0.1932	F6	0.2564	0.1997	G7	0.2691	0.2063
	0.2482	0.2010		0.2609	0.2076		0.2739	0.2144
	0.2400	0.2023		0.2526	0.2090		0.2656	0.2159
	0.2358	0.1945		0.2482	0.2010		0.2609	0.2076
E6	0.2520	0.1920	F7	0.2644	0.1984	H5	0.2572	0.2173
	0.2564	0.1997		0.2691	0.2063		0.2620	0.2259
	0.2482	0.2010		0.2609	0.2076		0.2533	0.2275
	0.2440	0.1932		0.2564	0.1997		0.2487	0.2188
E7	0.2599	0.1908	G5	0.2526	0.2090	H6	0.2656	0.2159
	0.2644	0.1984		0.2572	0.2173		0.2705	0.2244
	0.2564	0.1997		0.2487	0.2188		0.2620	0.2259
	0.2520	0.1920		0.2443	0.2104		0.2572	0.2173
F5	0.2482	0.2010	G6	0.2609	0.2076	H7	0.2739	0.2144
	0.2526	0.2090		0.2656	0.2159		0.2789	0.2229
	0.2443	0.2104		0.2572	0.2173		0.2705	0.2244
	0.2400	0.2023		0.2526	0.2090		0.2656	0.2159

Group	Cx	Cy	Group	Cx	Cy	Group	Cx	Cy
I5	0.2620	0.2259	K6	0.2807	0.2424	M7	0.3007	0.2600
	0.2669	0.2349		0.2862	0.2520		0.3068	0.2702
	0.2581	0.2365		0.2773	0.2538		0.2977	0.2722
	0.2533	0.2275		0.2720	0.2442		0.2918	0.2619
I6	0.2705	0.2244	K7	0.2894	0.2407	N5	0.2886	0.2743
	0.2755	0.2332		0.2949	0.2502		0.2946	0.2852
	0.2669	0.2349		0.2862	0.2520		0.2851	0.2874
	0.2620	0.2259		0.2807	0.2424		0.2793	0.2764
I7	0.2789	0.2229	L5	0.2773	0.2538	N6	0.2977	0.2722
	0.2840	0.2316		0.2828	0.2638		0.3039	0.2830
	0.2755	0.2332		0.2737	0.2658		0.2946	0.2852
	0.2705	0.2244		0.2683	0.2557		0.2886	0.2743
J5	0.2669	0.2349	L6	0.2862	0.2520	N7	0.3068	0.2702
	0.2720	0.2442		0.2918	0.2619		0.3130	0.2808
	0.2631	0.2459		0.2828	0.2638		0.3039	0.2830
	0.2581	0.2365		0.2773	0.2538		0.2977	0.2722
J6	0.2755	0.2332	L7	0.2949	0.2502	P5	0.2946	0.2852
	0.2807	0.2424		0.3007	0.2600		0.3008	0.2965
	0.2720	0.2442		0.2918	0.2619		0.2912	0.2989
	0.2669	0.2349		0.2862	0.2520		0.2851	0.2874
J7	0.2840	0.2316	M5	0.2828	0.2638	P6	0.3039	0.2830
	0.2894	0.2407		0.2886	0.2743		0.3102	0.2942
	0.2807	0.2424		0.2793	0.2764		0.3008	0.2965
	0.2755	0.2332		0.2737	0.2658		0.2946	0.2852
K5	0.2720	0.2442	M6	0.2918	0.2619	P7	0.3130	0.2808
	0.2773	0.2538		0.2977	0.2722		0.3195	0.2919
	0.2683	0.2557		0.2886	0.2743		0.3102	0.2942
	0.2631	0.2459		0.2828	0.2638		0.3039	0.2830



---

## Group Name on Label

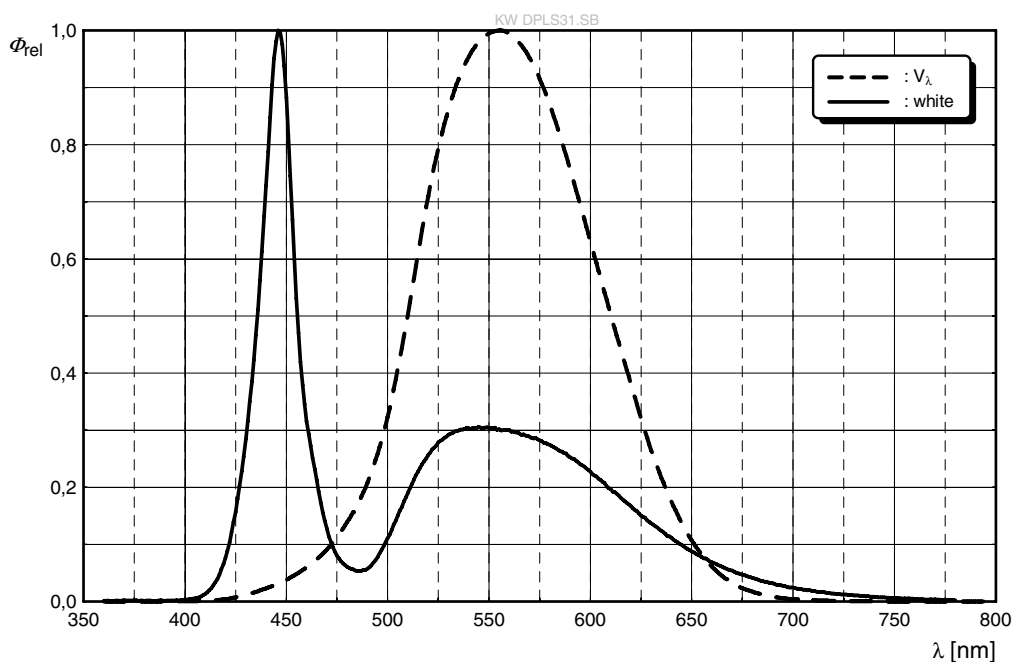
**Example: 5J-E5-Q-24**

Brightness	Color Chromaticity	Wavelength Groups	Forward Voltage
5J	E5	Q	24

---

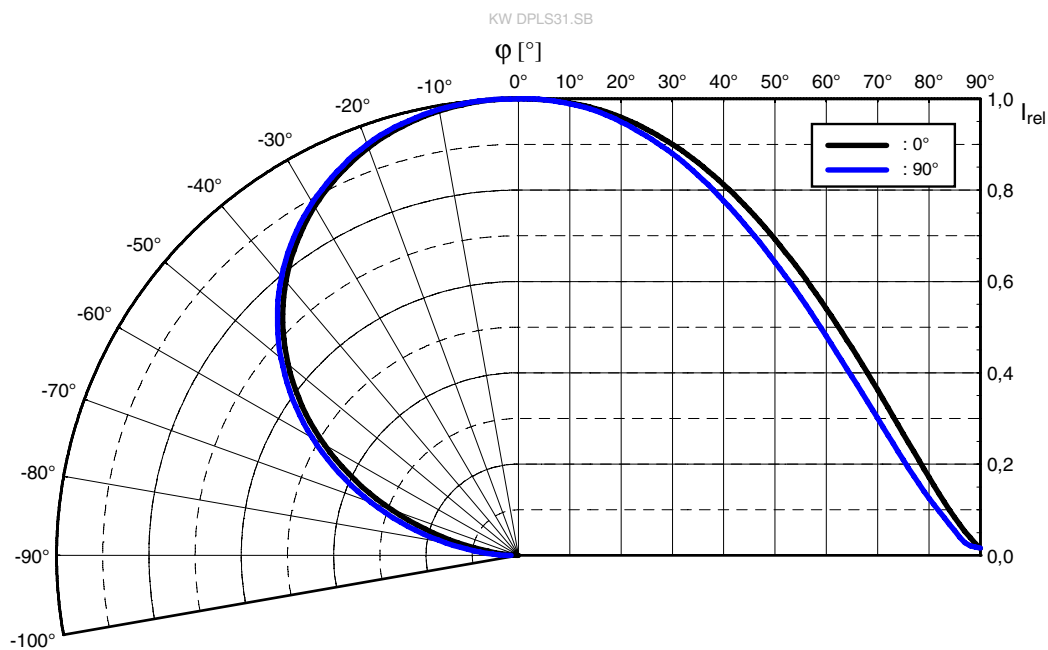
### Relative Spectral Emission <sup>6)</sup>

$\Phi_{rel} = f(\lambda); I_F = 120 \text{ mA}; T_S = 25 \text{ }^\circ\text{C}$



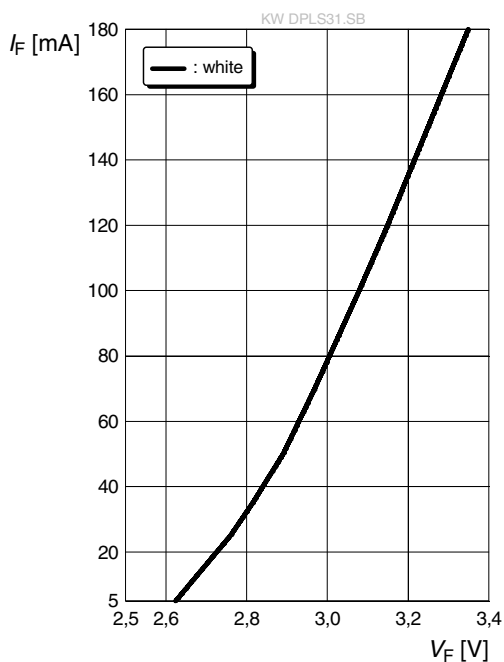
### Radiation Characteristics <sup>6)</sup>

$I_{rel} = f(\phi); T_S = 25 \text{ }^\circ\text{C}$



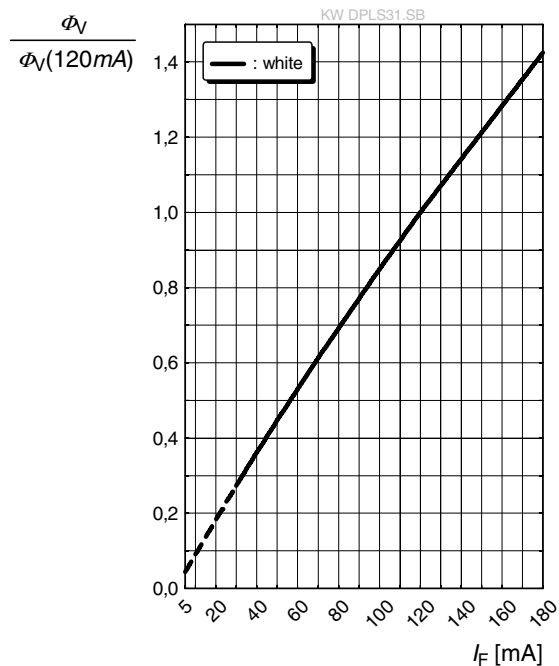
### Forward current <sup>6)</sup>

$$I_F = f(V_F); T_S = 25\text{ °C}$$



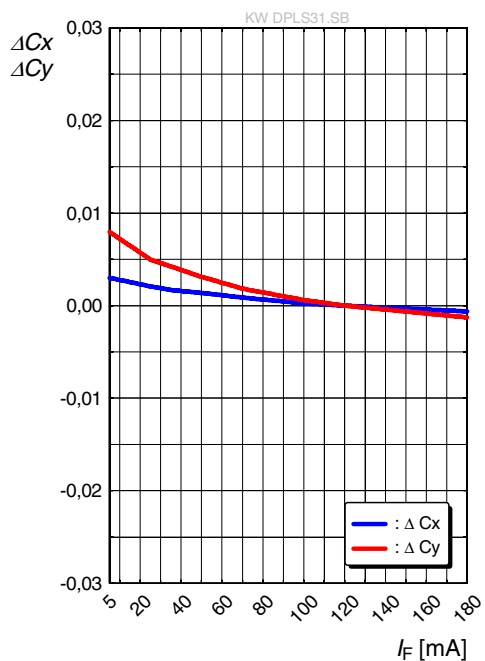
### Relative Luminous Flux <sup>6), 7)</sup>

$$\Phi_V / \Phi_V(120\text{ mA}) = f(I_F); T_S = 25\text{ °C}$$



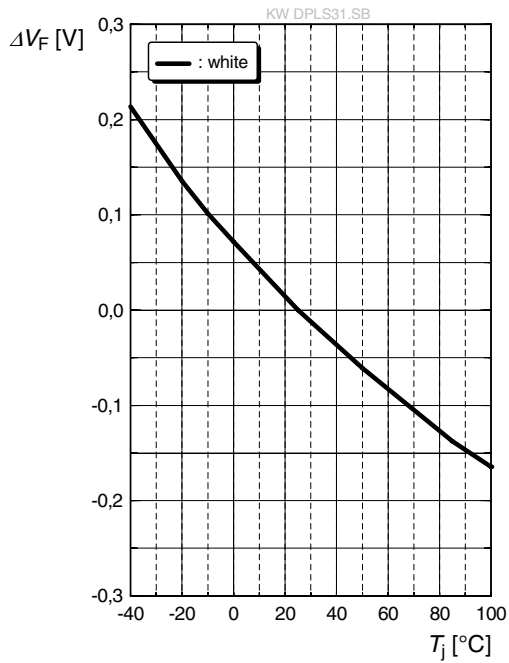
### Chromaticity Coordinate Shift <sup>6)</sup>

$$\Delta C_x, \Delta C_y = f(I_F); T_S = 25\text{ °C}$$



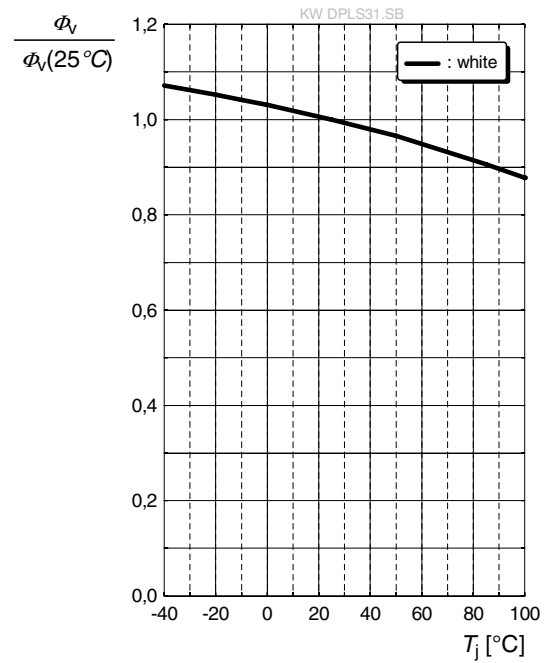
### Forward Voltage <sup>6)</sup>

$$\Delta V_F = V_F - V_F(25\text{ }^\circ\text{C}) = f(T_j); I_F = 120\text{ mA}$$



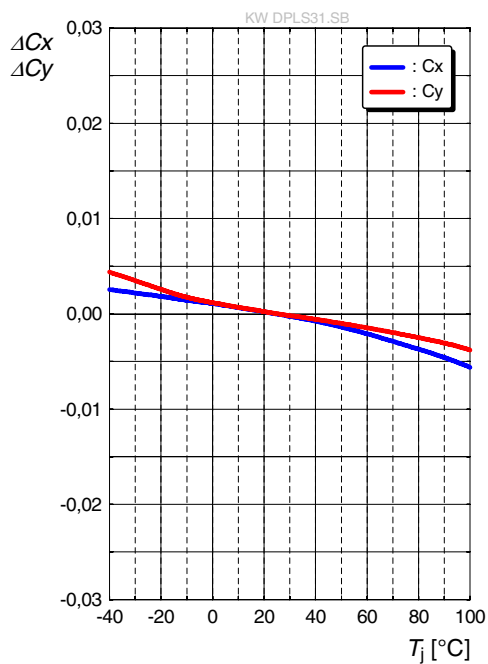
### Relative Luminous Flux <sup>6)</sup>

$$\Phi_V / \Phi_V(25\text{ }^\circ\text{C}) = f(T_j); I_F = 120\text{ mA}$$



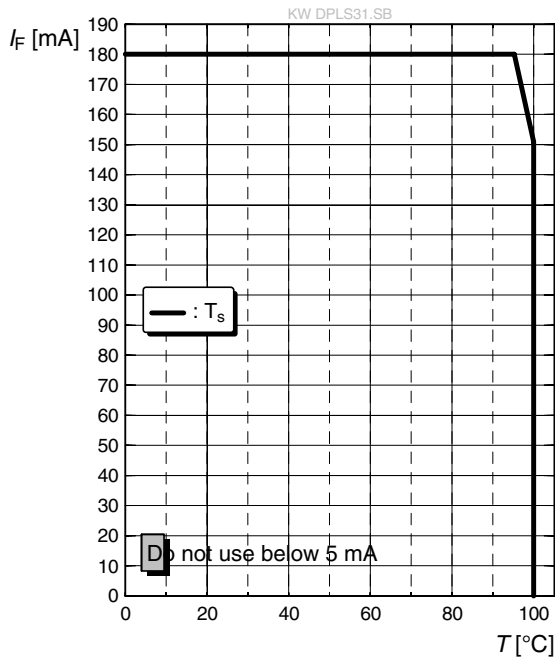
### Chromaticity Coordinate Shift <sup>6)</sup>

$$\Delta C_x, \Delta C_y = f(T_j); I_F = 120\text{ mA}$$



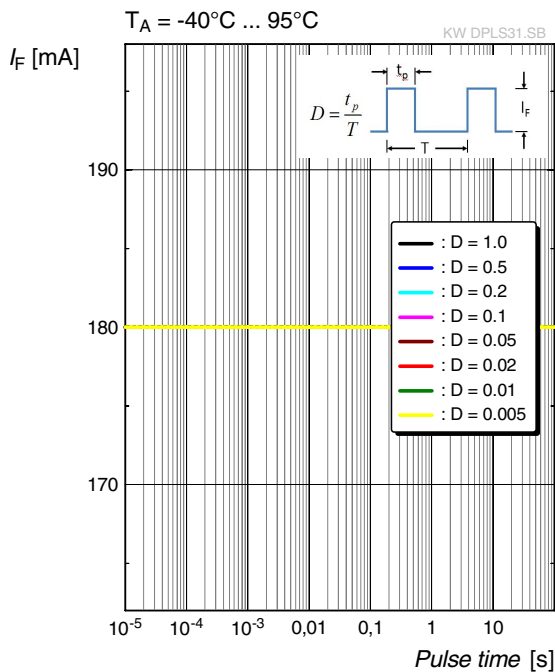
### Max. Permissible Forward Current

$I_F = f(T)$



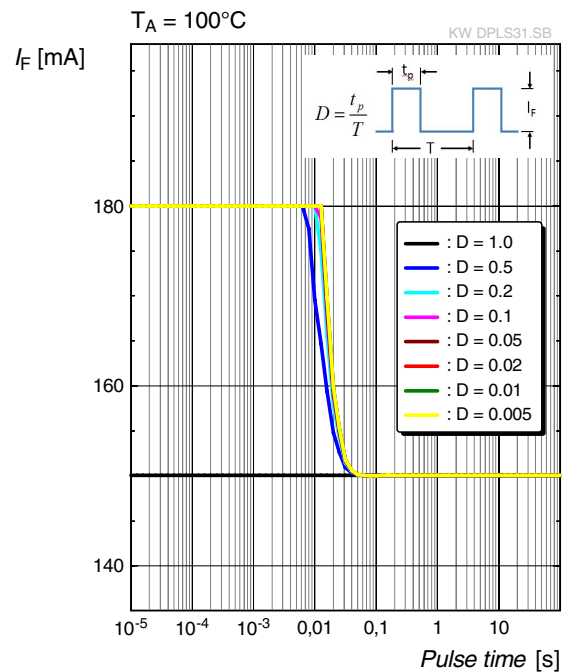
### Permissible Pulse Handling Capability

$I_F = f(t_p)$ ; D: Duty cycle

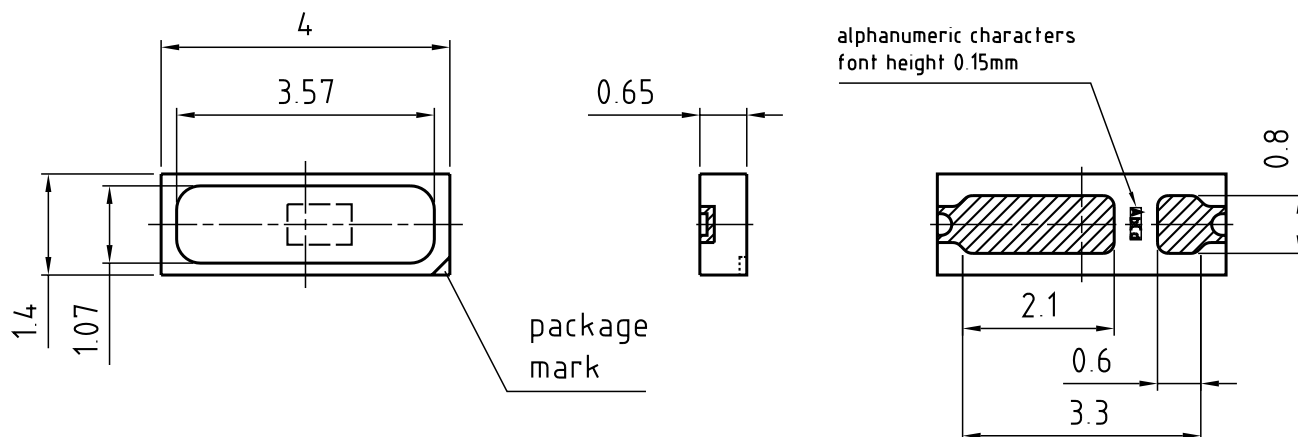


### Permissible Pulse Handling Capability

$I_F = f(t_p)$ ; D: Duty cycle



## Dimensional Drawing <sup>8)</sup>



general tolerance  $\pm 0.1$   
lead finish Ag 

C63062-A4202-A10..-02

## Further Information:

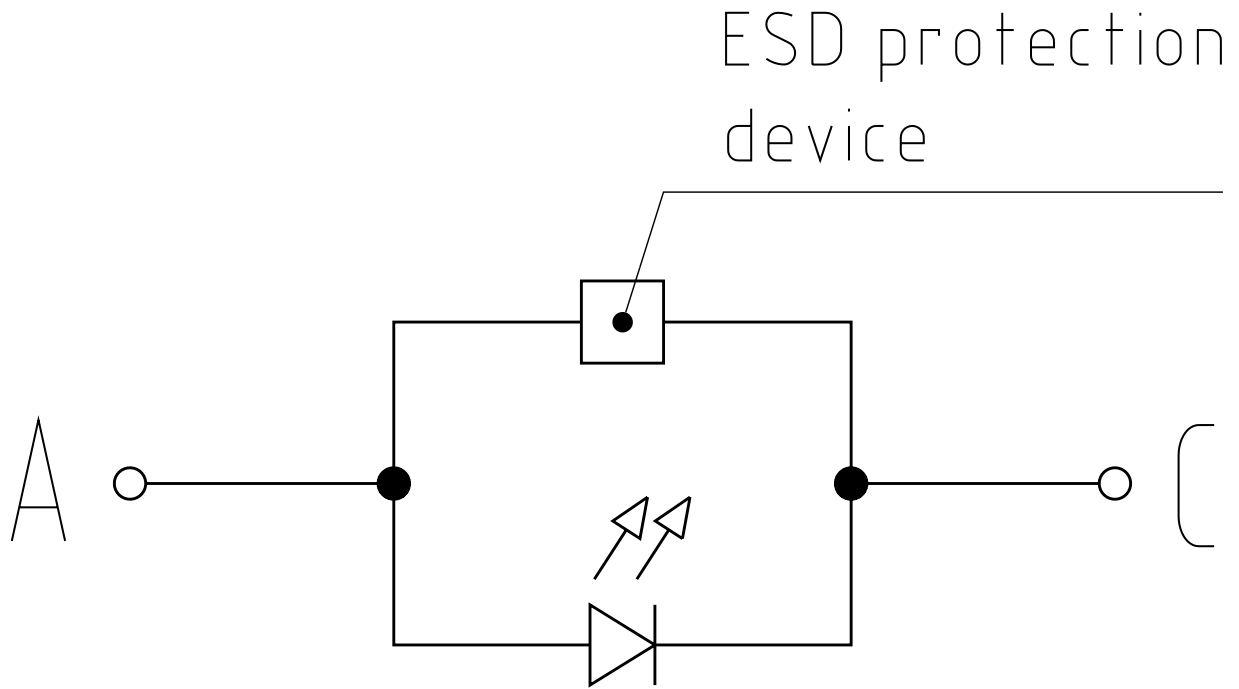
**Approximate Weight:** 10.0 mg

**Package marking:** Cathode

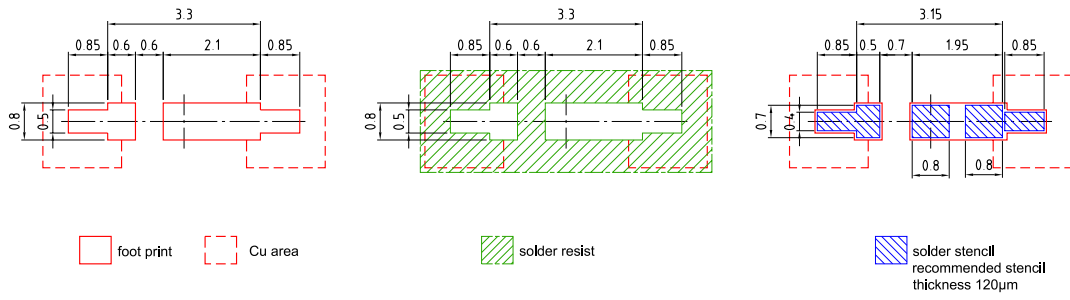
**Corrosion test:** Class: 1B  
Test condition: 25°C / 75 % RH / 200ppb SO<sub>2</sub>, 200ppb NO<sub>2</sub>, 10ppb H<sub>2</sub>S,  
10ppb Cl<sub>2</sub> / 21 days (EN 60068-2-60 (Method 4))

**ESD advice:** The device is protected by ESD device which is connected in parallel to the Chip.

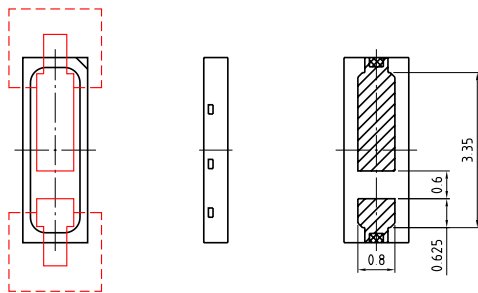
Electrical Internal Circuit



Recommended Solder Pad <sup>8)</sup>



Component Location on Pad



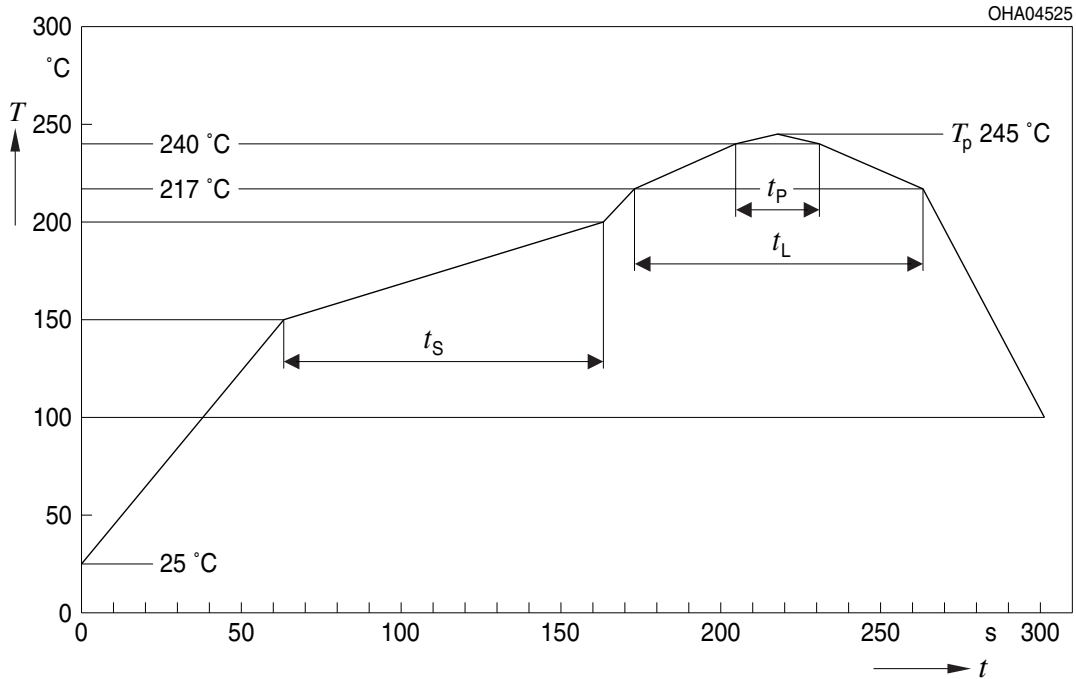
E062.3010.228-01

For superior solder joint connectivity results we recommend soldering under standard nitrogen atmosphere. Package not suitable for ultra sonic cleaning.



## Reflow Soldering Profile

Product complies to MSL Level 3 acc. to JEDEC J-STD-020E

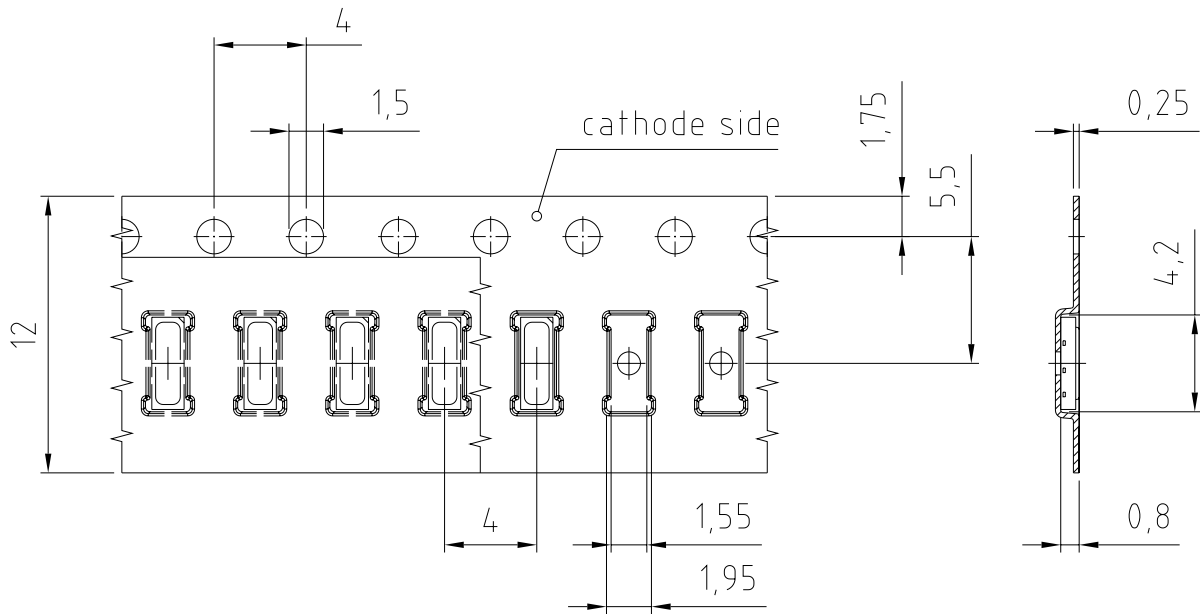


Profile Feature	Symbol	Pb-Free (SnAgCu) Assembly			Unit
		Minimum	Recommendation	Maximum	
Ramp-up rate to preheat <sup>*)</sup> 25 °C to 150 °C			2	3	K/s
Time $t_s$ $T_{Smin}$ to $T_{Smax}$	$t_s$	60	100	120	s
Ramp-up rate to peak <sup>*)</sup> $T_{Smax}$ to $T_p$			2	3	K/s
Liquidus temperature	$T_L$		217		°C
Time above liquidus temperature	$t_L$		80	100	s
Peak temperature	$T_p$		245	260	°C
Time within 5 °C of the specified peak temperature $T_p - 5$ K	$t_p$	10	20	30	s
Ramp-down rate* $T_p$ to 100 °C			3	6	K/s
Time 25 °C to $T_p$				480	s

All temperatures refer to the center of the package, measured on the top of the component

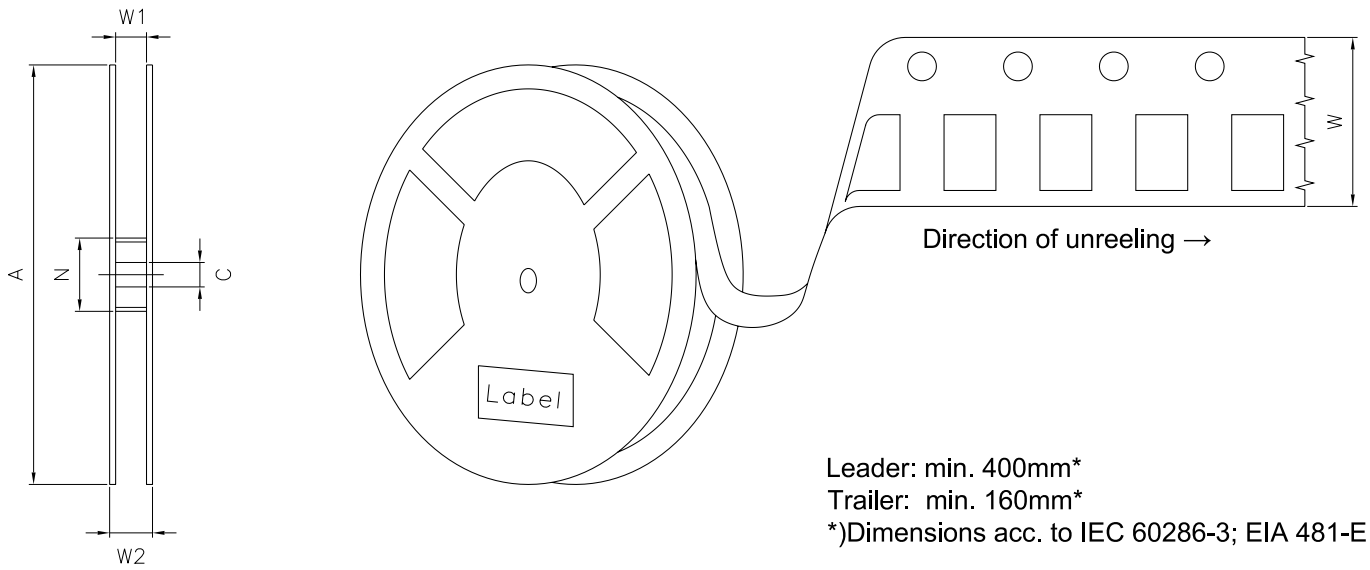
\* slope calculation  $DT/Dt$ :  $Dt$  max. 5 s; fulfillment for the whole T-range

Taping <sup>8)</sup>



C63062-A4353-B6-01

**Tape and Reel** <sup>9)</sup>



**Reel Dimensions**

A	W	N <sub>min</sub>	W <sub>1</sub>	W <sub>2max</sub>	Pieces per PU
180 mm	12 + 0.3 / - 0.1 mm	60 mm	12.4 + 2 mm	18.4 mm	3000

### Barcode-Product-Label (BPL)

**OSRAM Opto Semiconductors** LX XXXX BIN1: XX-XX-X-XXX-X

RoHS Compliant

(6P) BATCH NO: 1234567890

(1T) LOT NO: 1234567890 (9D) D/C: 1234

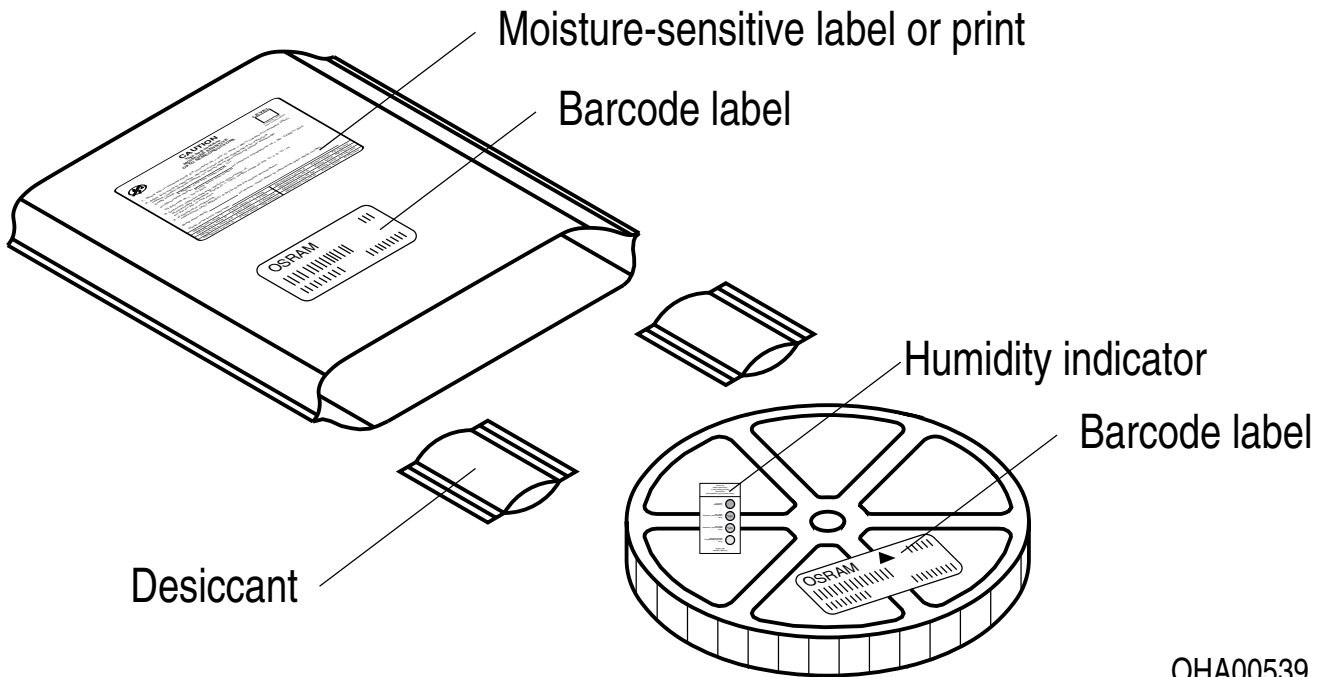
(X) PROD NO: 123456789(Q)QTY: 9999 (G) GROUP: XX-XX-X-X

ML Temp ST  
X XXX °C X

Pack: RXX  
DEMY XXX  
X\_X123\_1234.1234 X

OHA04563

### Dry Packing Process and Materials <sup>8)</sup>



OHA00539

Moisture-sensitive product is packed in a dry bag containing desiccant and a humidity card according JEDEC-STD-033.

---

## Notes

The evaluation of eye safety occurs according to the standard IEC 62471:2006 (photo biological safety of lamps and lamp systems). Within the risk grouping system of this IEC standard, the device specified in this data sheet fall into the class **low risk (exposure time 100 s)**. Under real circumstances (for exposure time, conditions of the eye pupils, observation distance), it is assumed that no endangerment to the eye exists from these devices. As a matter of principle, however, it should be mentioned that intense light sources have a high secondary exposure potential due to their blinding effect. When looking at bright light sources (e.g. headlights), temporary reduction in visual acuity and afterimages can occur, leading to irritation, annoyance, visual impairment, and even accidents, depending on the situation.

Subcomponents of this device contain, in addition to other substances, metal filled materials including silver. Metal filled materials can be affected by environments that contain traces of aggressive substances. Therefore, we recommend that customers minimize device exposure to aggressive substances during storage, production, and use. Devices that showed visible discoloration when tested using the described tests above did show no performance deviations within failure limits during the stated test duration. Respective failure limits are described in the IEC60810.

For further application related information please visit [www.osram-os.com/appnotes](http://www.osram-os.com/appnotes)

## Disclaimer

### Attention please!

The information describes the type of component and shall not be considered as assured characteristics. Terms of delivery and rights to change design reserved. Due to technical requirements components may contain dangerous substances.

For information on the types in question please contact our Sales Organization.

If printed or downloaded, please find the latest version on our website.

### Packing

Please use the recycling operators known to you. We can also help you – get in touch with your nearest sales office. By agreement we will take packing material back, if it is sorted. You must bear the costs of transport. For packing material that is returned to us unsorted or which we are not obliged to accept, we shall have to invoice you for any costs incurred.

### Product and functional safety devices/applications or medical devices/applications

Our components are not developed, constructed or tested for the application as safety relevant component or for the application in medical devices.

Our products are not qualified at module and system level for such application.

In case buyer – or customer supplied by buyer – considers using our components in product safety devices/ applications or medical devices/applications, buyer and/or customer has to inform our local sales partner immediately and we and buyer and /or customer will analyze and coordinate the customer-specific request between us and buyer and/or customer.

---

## Glossary

- 1) **Brightness:** Brightness values are measured during a current pulse of typically 25 ms, with an internal reproducibility of  $\pm 8\%$  and an expanded uncertainty of  $\pm 11\%$  (acc. to GUM with a coverage factor of  $k = 3$ ).
- 2) **Reverse Operation:** Not designed for reverse operation. Continuous reverse operation can cause migration and damage of the device.
- 3) **Chromaticity coordinate groups:** Chromaticity coordinates are measured during a current pulse of typically 25 ms, with an internal reproducibility of  $\pm 0.005$  and an expanded uncertainty of  $\pm 0.01$  (acc. to GUM with a coverage factor of  $k = 3$ ).
- 4) **Forward Voltage:** The forward voltage is measured during a current pulse of typically 8 ms, with an internal reproducibility of  $\pm 0.05\text{ V}$  and an expanded uncertainty of  $\pm 0.1\text{ V}$  (acc. to GUM with a coverage factor of  $k = 3$ ).
- 5) **Thermal Resistance:**  $R_{th\ max}$  is based on statistic values ( $6\sigma$ ).
- 6) **Typical Values:** Due to the special conditions of the manufacturing processes of semiconductor devices, the typical data or calculated correlations of technical parameters can only reflect statistical figures. These do not necessarily correspond to the actual parameters of each single product, which could differ from the typical data and calculated correlations or the typical characteristic line. If requested, e.g. because of technical improvements, these typ. data will be changed without any further notice.
- 7) **Characteristic curve:** In the range where the line of the graph is broken, you must expect higher differences between single devices within one packing unit.
- 8) **Tolerance of Measure:** Unless otherwise noted in drawing, tolerances are specified with  $\pm 0.1$  and dimensions are specified in mm.
- 9) **Tape and Reel:** All dimensions and tolerances are specified acc. IEC 60286-3 and specified in mm.

---

## Revision History

Version	Date	Change
1.3	2019-02-01	Wavelength Groups Dimensional Drawing
1.4	2020-09-16	Features Ordering Information Brightness Groups
1.5	2020-09-16	Schematic Transportation Box Dimensions of Transportation Box
1.6	2022-07-21	New Layout Applications

---





EU RoHS and China RoHS compliant product

此产品符合欧盟 RoHS 指令的要求；  
按照中国的相关法规和标准，  
不含有毒有害物质或元素。

**Published by ams-OSRAM AG**

Tobelbader Strasse 30, 8141 Premstaetten, Austria

Phone +43 3136 500-0

[ams-osram.com](http://ams-osram.com)

© All rights reserved

**am** 

**OSRAM**